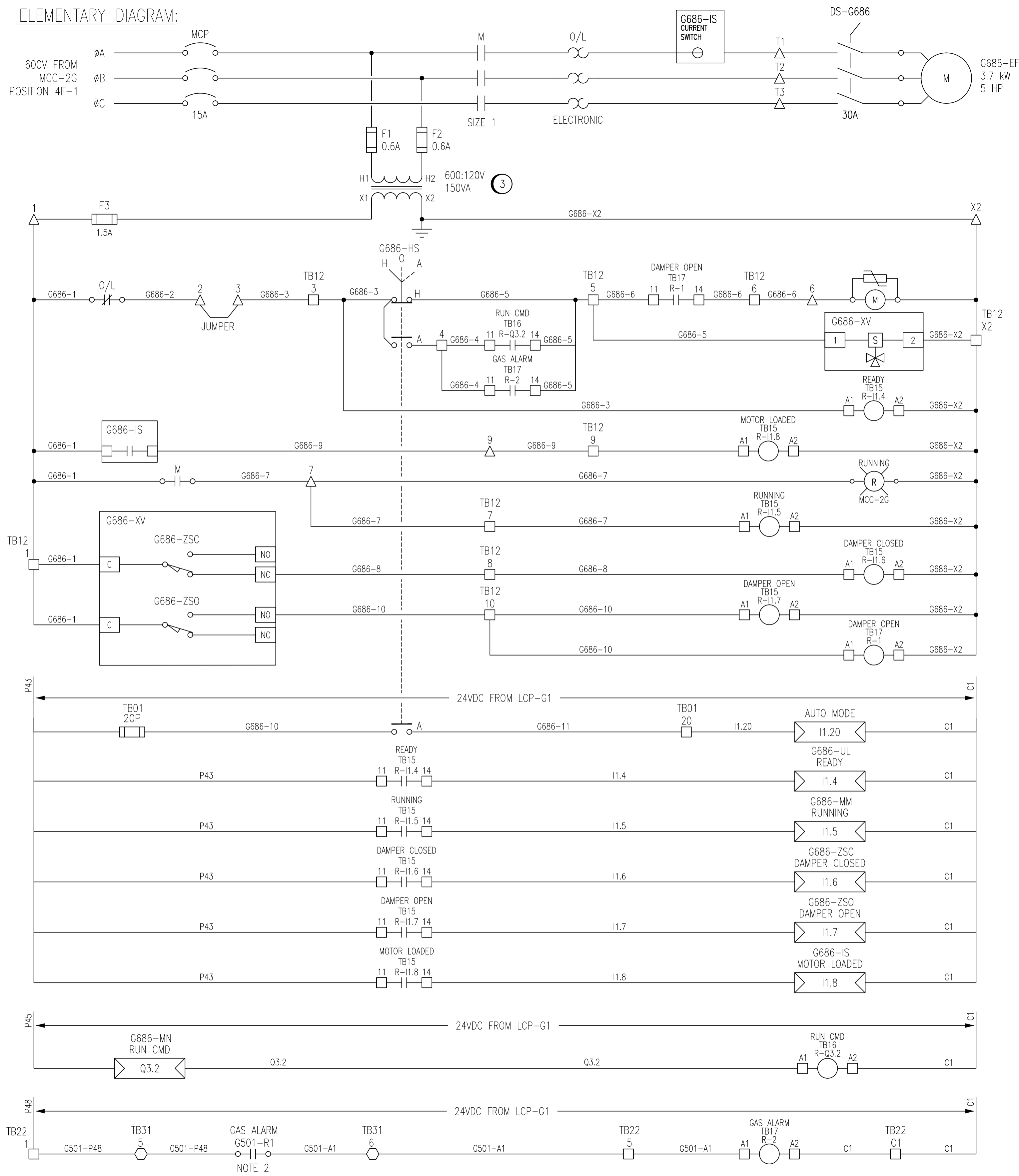
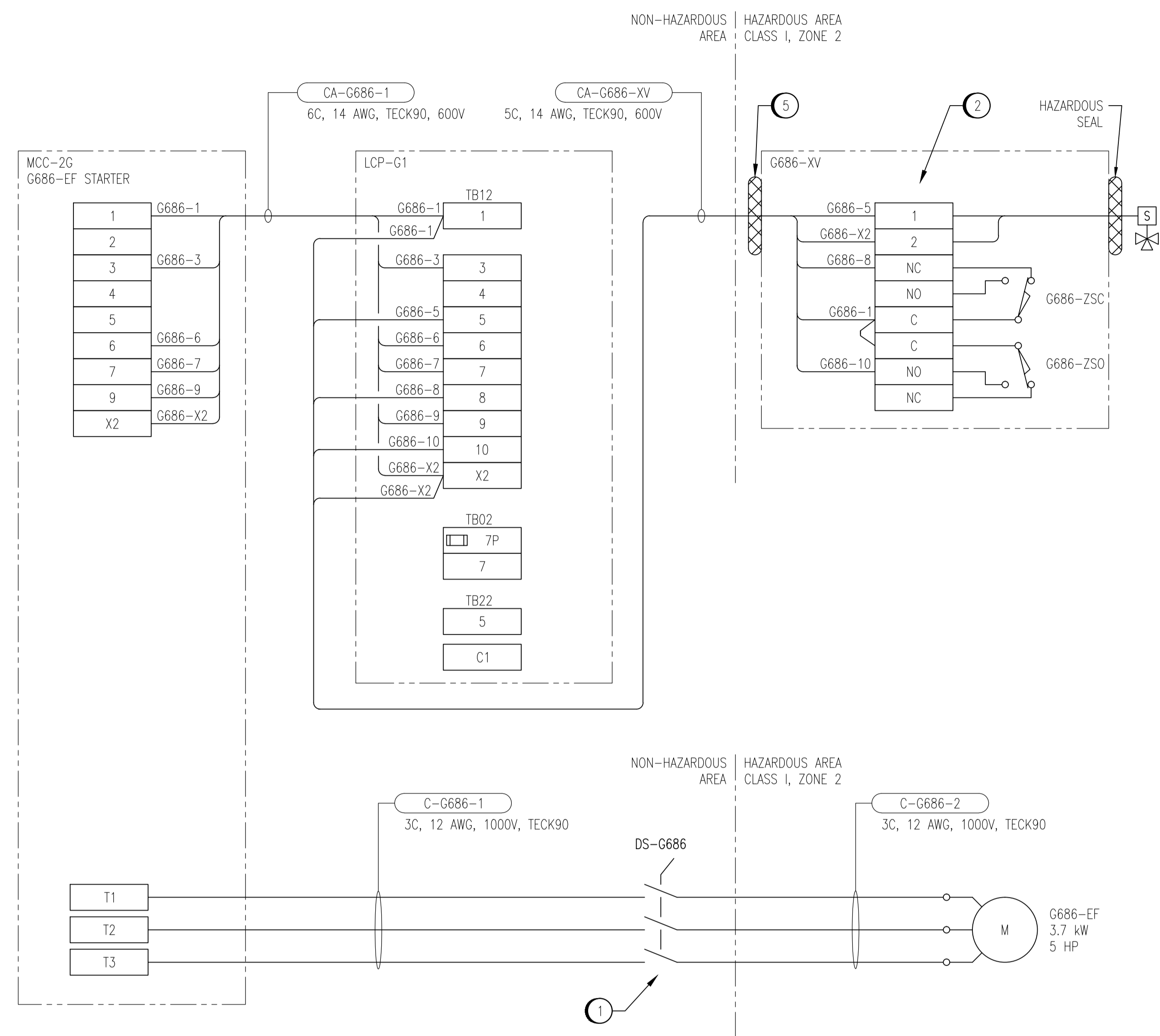


A1 SIZE - 594mm x 841mm

ELEMENTARY DIAGRAM:



FIELD CONNECTION DIAGRAM:



LEGEND:

- △ MCC TERMINAL
- PLC CABINET TERMINAL
- FDP-G TERMINAL
- ▭ PLC OUTPUT
- ▭ PLC INPUT

CONSTRUCTION NOTES

- 1 LOCATE DISCONNECT OUTSIDE OF HAZARDOUS AREA.
- 2 USE SPARE TERMINALS IN G686-XV FOR SOLENOID WIRING.
- 3 REPLACE EXISTING MCC BUCKET WITH ONE CONFIGURED AS SHOWN.
- 4 REMOVE POWER WIRING FOR EXISTING G686-EF FAN.
- 5 PROVIDE A HAZARDOUS RATED CABLE GLAND SEAL AT CABLE ENTRY TO LIMIT SWITCH ENCLOSURE.

- NOTES:**
1. THIS DRAWING SUPERCEDES SEP-2124.
 2. GAS DETECTION ALARM RELAY IN FDP-G. SEE DRAWING 1-0102G-A0065.



NO.	REVISIONS	DATE	DESIGN	CHECK
00	ISSUED FOR TENDER, BID OPP. 545-2012	2012/11/21	TMC	CJR

<p>SNC-LAVALIN INC. 148 Nature Park Way Winnipeg, MB, Canada R3P 0X7 204-786-8080</p>		<p>ENGINEER'S SEAL</p>
DESIGNED BY: I. CHURCH	CHECKED BY: C. REIMER	<p>THE CITY OF WINNIPEG WATER AND WASTE DEPARTMENT</p>
DRAWN BY: M.J. PERSSON	APPROVED BY: C. REIMER	
SCALE: NTS	RELEASED FOR CONSTRUCTION BY: N. HARRINGTON	<p>SOUTH END WATER POLLUTION CONTROL CENTRE VENTILATION & MISC UPGRADES MOTOR SCHEMATIC G686-EF FAN</p>
DATE: 2012/01/25	DATE: 2012/09/10	
CONSULTANT NO.: 112577-0116-47DD-0005		<p>CITY DRAWING NUMBER 1-0102G-E0039</p>

CITY DRAWING NUMBER 1-0102G-E0039	SHEET 001	REV. 00	SIZE A1
---	---------------------	-------------------	-------------------

SEP-830 1-0102G-A0100	MCC-2G LAYOUT PANEL LAYOUT, LCP-G1	REFERENCE DRAWINGS
--------------------------	---------------------------------------	--------------------