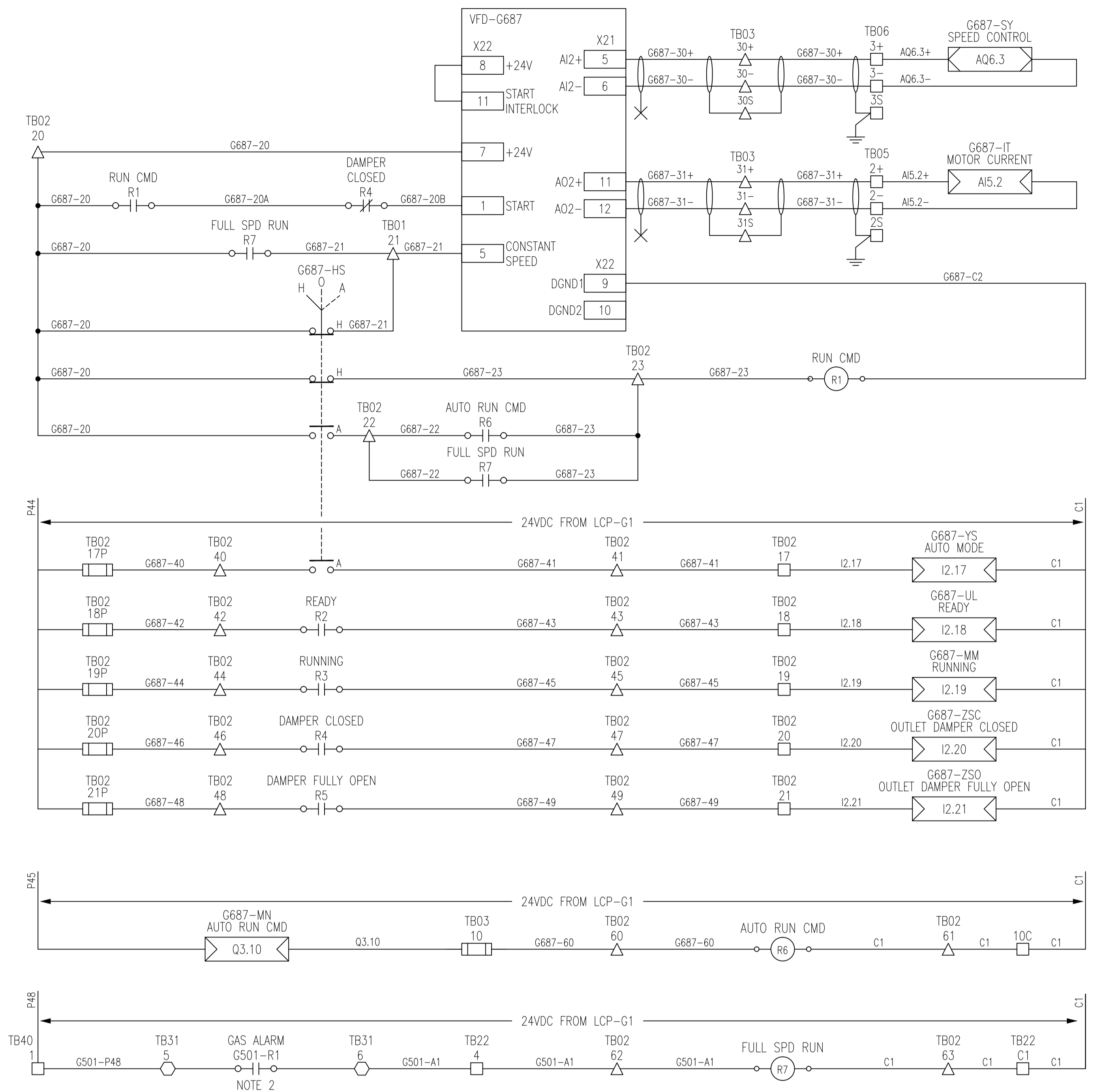
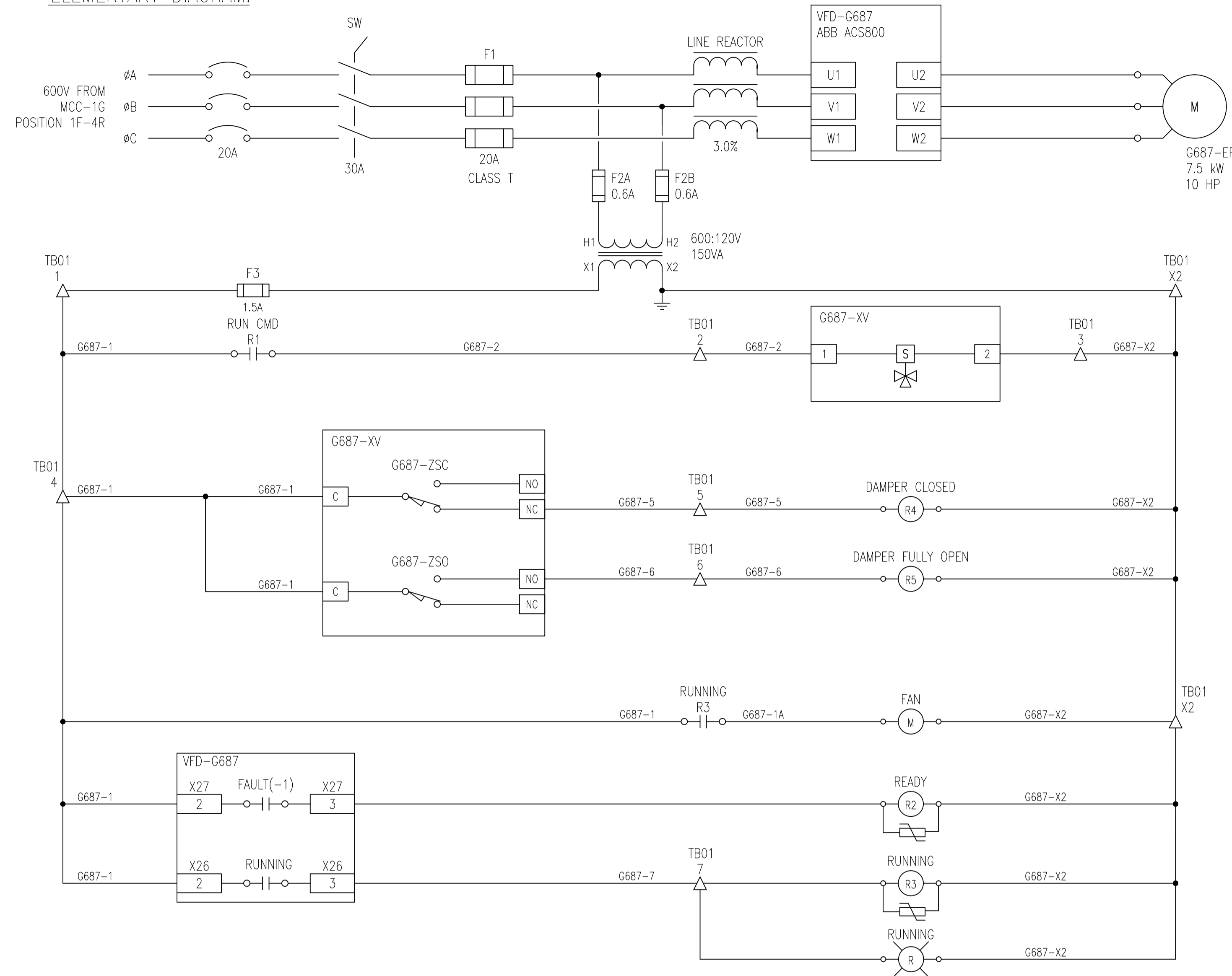
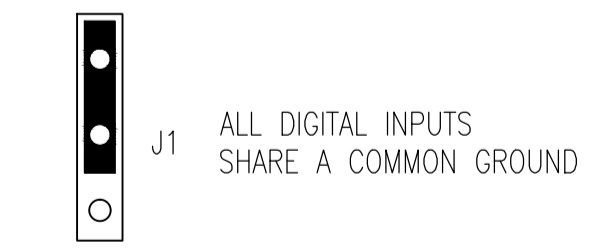


ELEMENTARY DIAGRAM:



JUMPER SETTINGS



LEGEND:

- △ VFD CONTROL PANEL TERMINAL
- PLC CABINET TERMINAL
- FDP-G TERMINAL
- ◀▶ PLC OUTPUT
- ▶ PLC INPUT

- NOTES:**
- THIS DRAWING SUPERCEDES SEP-2125.
 - GAS DETECTION ALARM RELAY IN FDP-G1. SEE DRAWING 1-0102G-A0065.



<p>SNC-LAVALIN INC. 148 Nature Park Way Winnipeg, MB, Canada R3P 0X7 204-786-8080</p>		<p>ENGINEER'S SEAL</p>	<p>THE CITY OF WINNIPEG WATER AND WASTE DEPARTMENT</p>
<p>DESIGNED BY: I. CHURCH DRAWN BY: M.J. PERSSON SCALE: NTS DATE: 2011/11/09</p>	<p>CHECKED BY: C. REIMER APPROVED BY: C. REIMER RELEASED FOR CONSTRUCTION BY: N. HARRINGTON DATE: 2012/09/10</p>	<p>SOUTH END WATER POLLUTION CONTROL CENTRE VENTILATION & MISC UPGRADES MOTOR SCHEMATIC G687-EF FAN</p>	
<p>ISSUED FOR TENDER, BID OPP: 545-2012 DATE: 2012/09/10 DESIGN: TMC CHECK: CJR</p>	<p>CONSULTANT NO.: 112577-0116-47DD-0004</p>	<p>CITY DRAWING NUMBER 1-0102G-E0038</p>	<p>SHEET REV. SIZE 001 00 A1</p>

SEP-829	MCC-1G LAYOUT
1-0102G-E0048	PANEL LAYOUT, VFD-G687
1-0102G-A0100	PANEL LAYOUT, LCP-G1
DRAWING NUMBER	REFERENCE DRAWINGS