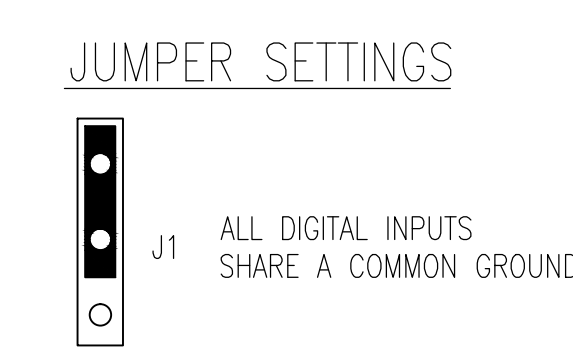
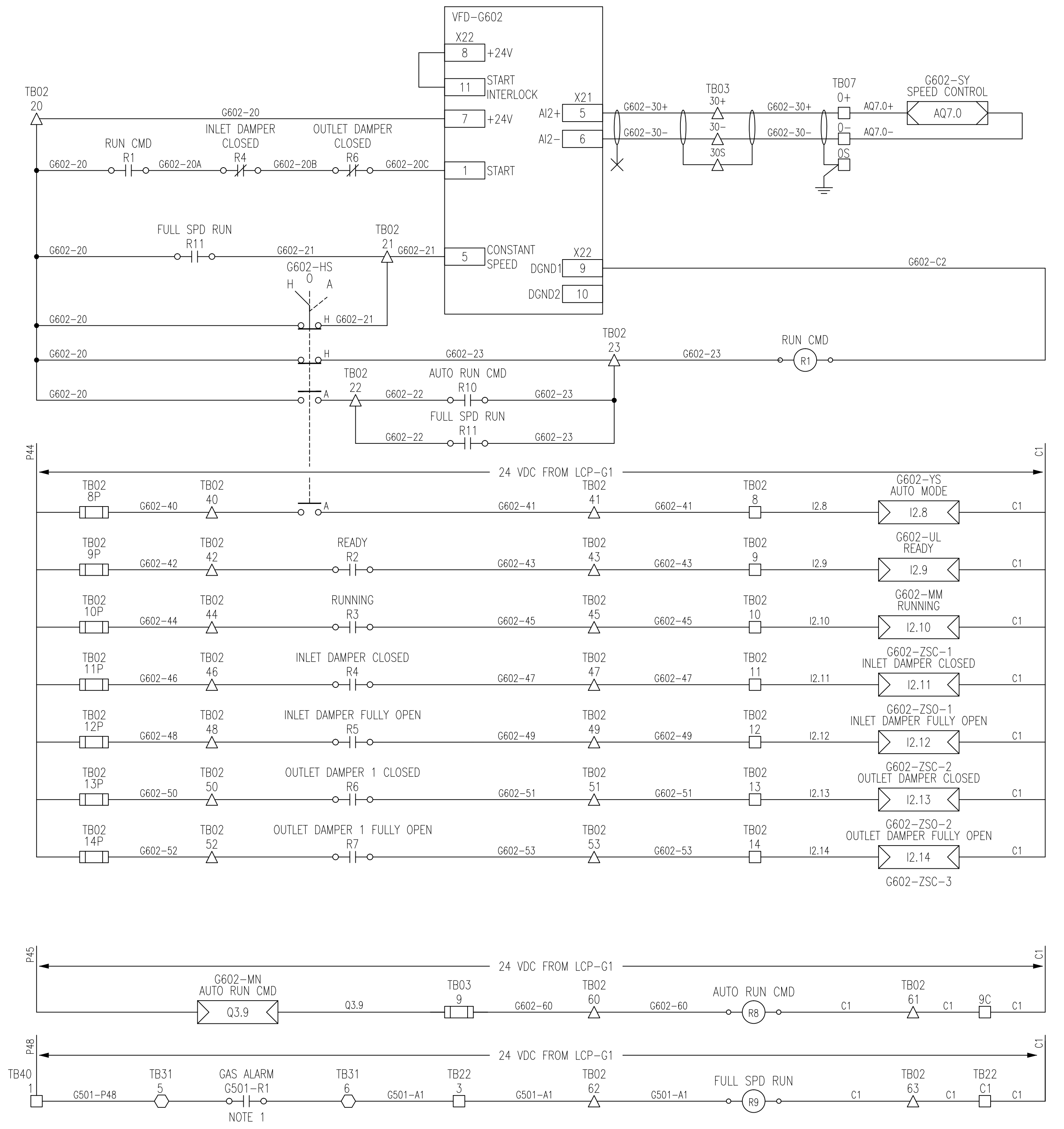
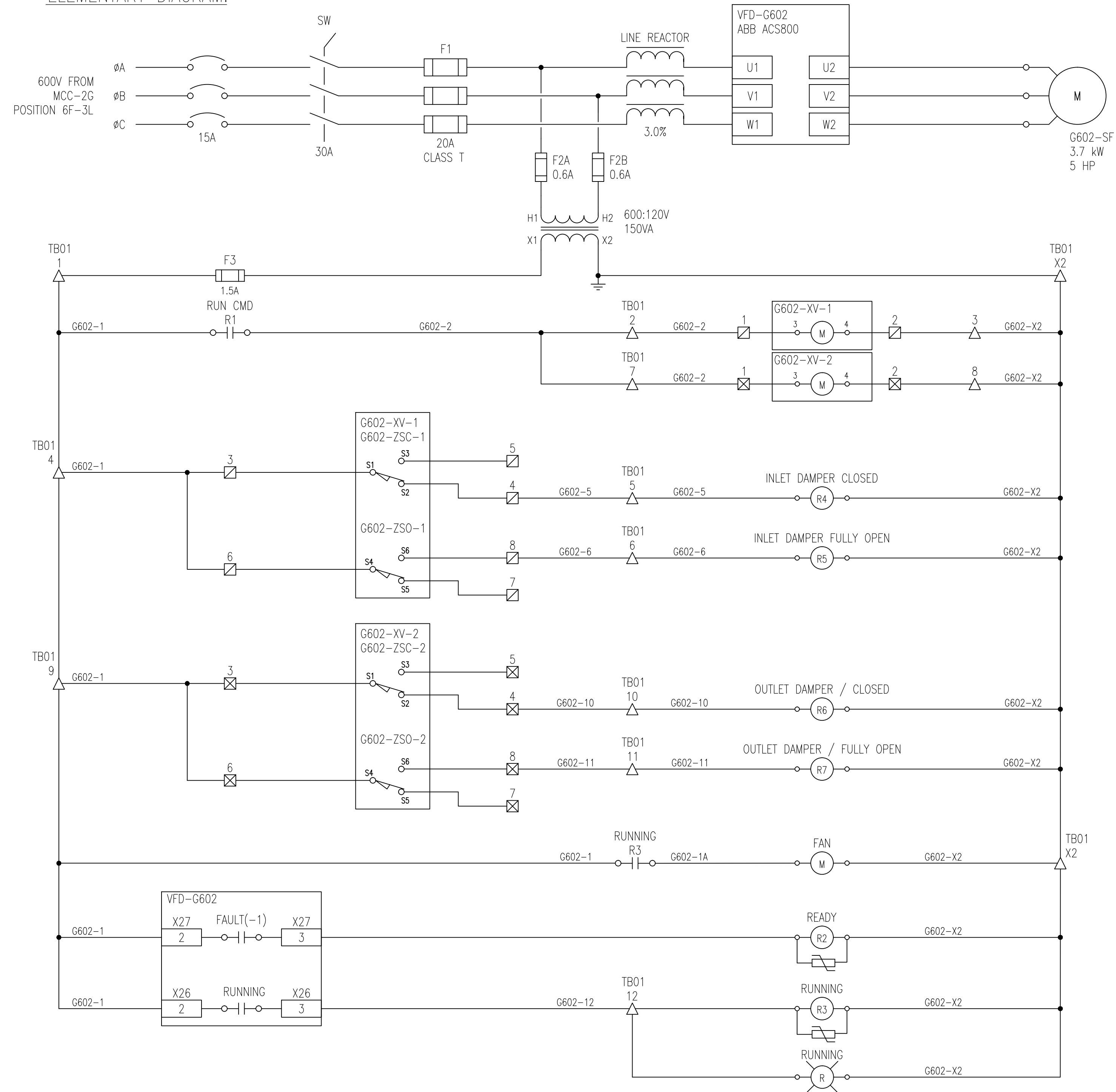


A1 SIZE - 594mm x 841mm

**ELEMENTARY DIAGRAM:**



**LEGEND:**

△	VFD CONTROL PANEL TERMINAL
□	PLC CABINET TERMINAL
○	FDP-G TERMINAL
⊠	JUNCTION BOX TERMINALS
◀	PLC OUTPUT
▶	PLC INPUT

LAST SAVE: 2012/10/12 - 9:10am  
PATH: M:\112577\0116\4ENG\47ELE\DD - General DWG\1-0102G-E0037-001-00.dwg

SEP-830	MCC-2G LAYOUT
1-0102G-E0047	PANEL LAYOUT, VFD-G602
1-0102G-A0100	PANEL LAYOUT, LCP-G1
DRAWING NUMBER	REFERENCE DRAWINGS



00	ISSUED FOR TENDER, BID OPP. 545-2012	2012/09/10	TMC	CJR
NO.	REVISIONS	DATE	DESIGN	CHECK

DESIGNED BY:	T. CHURCH
CHECKED BY:	C. REIMER
DRAWN BY:	M.J. PERSSON
APPROVED BY:	C. REIMER
SCALE:	NTS
RELEASED FOR CONSTRUCTION BY:	N. HARRINGTON
DATE:	2011/11/09
DATE:	2012/09/10
CONSULTANT NO.:	112577-0116-47DD-0003

ENGINEER'S SEAL

**THE CITY OF WINNIPEG**  
WATER AND WASTE DEPARTMENT

SOUTH END WATER POLLUTION CONTROL CENTRE  
VENTILATION & MISC UPGRADES  
MOTOR SCHEMATIC  
G602-SF FAN

CITY DRAWING NUMBER: 1-0102G-E0037

SHEET	001	REV.	00	SIZE	A1
-------	-----	------	----	------	----

1-0102G-E0037-001-00.dwg