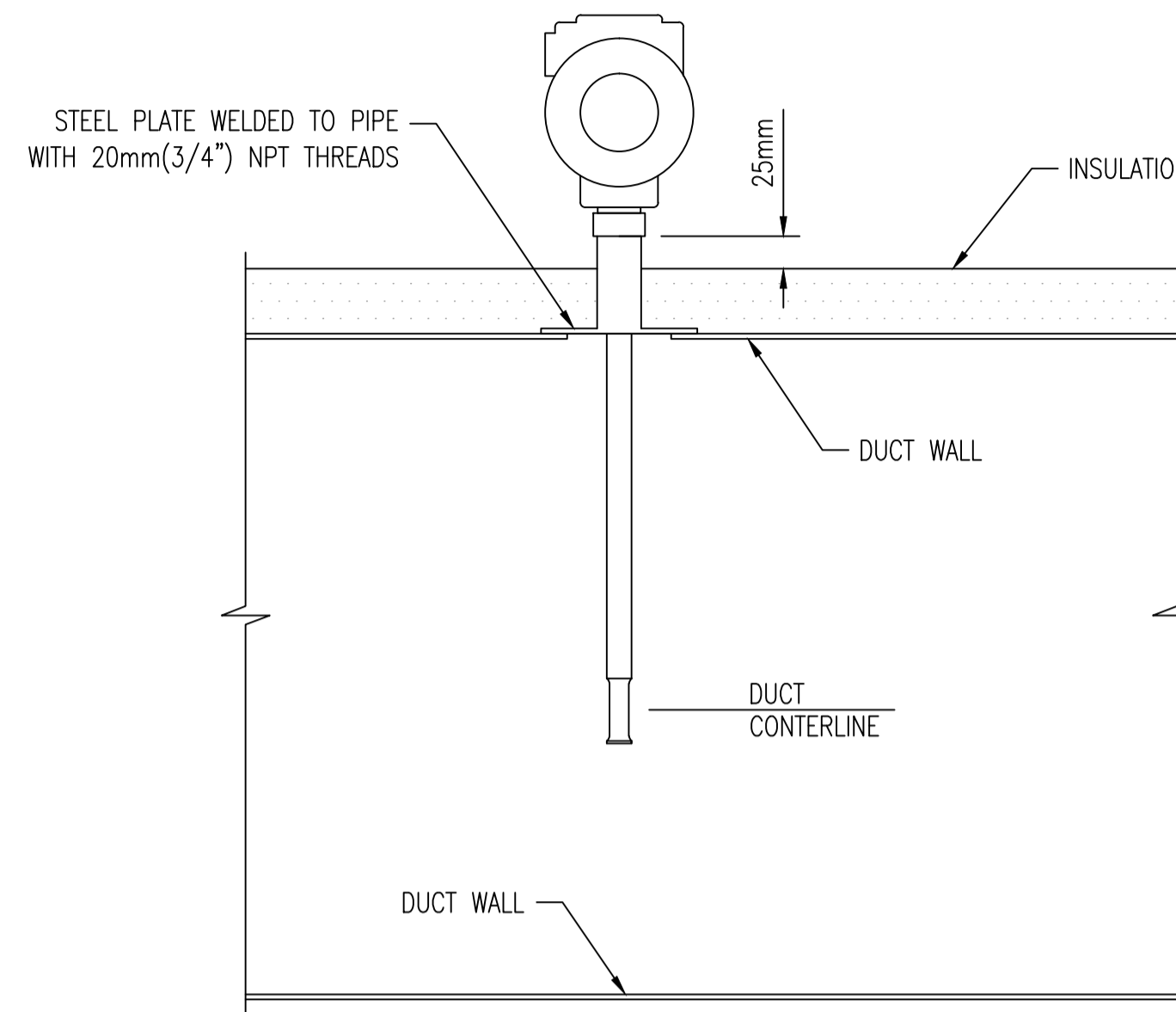
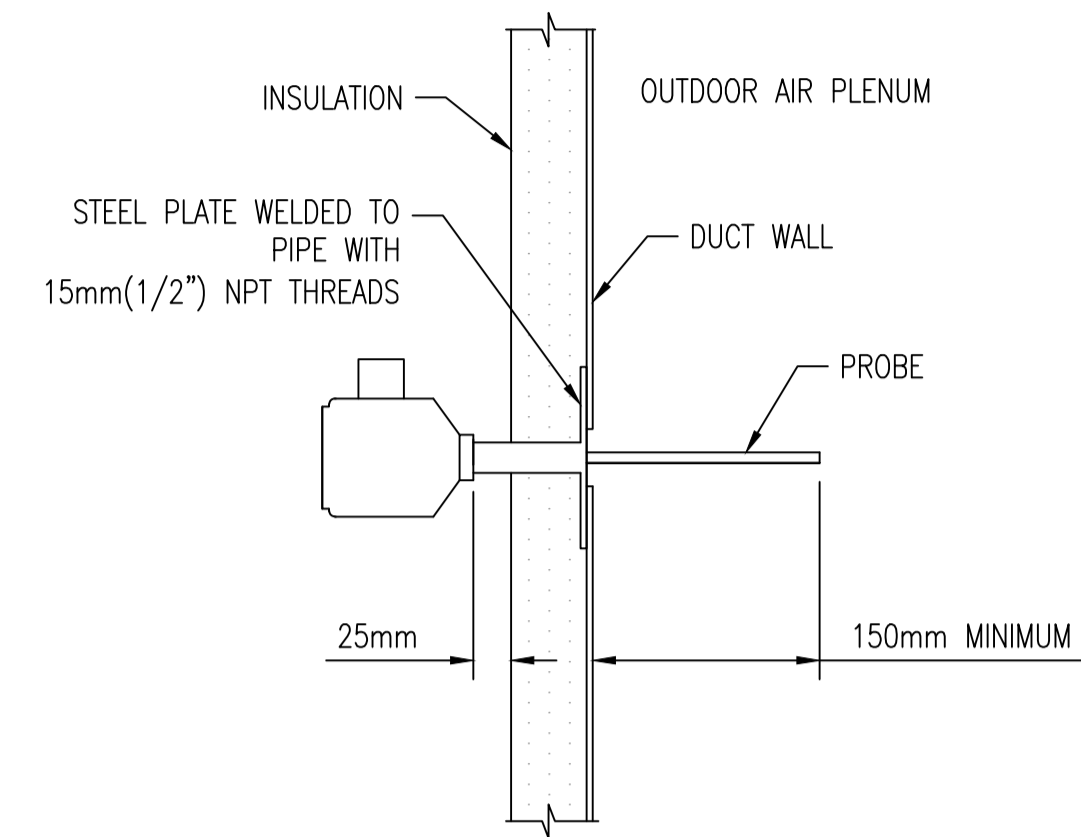


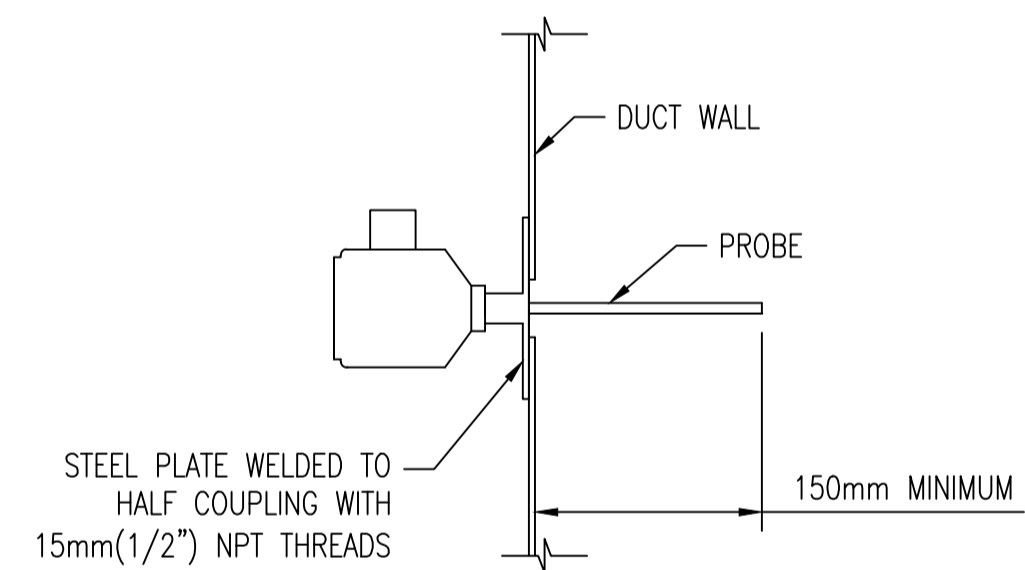
A EXTERIOR WALL PENETRATION
SCALE: 1 : 10



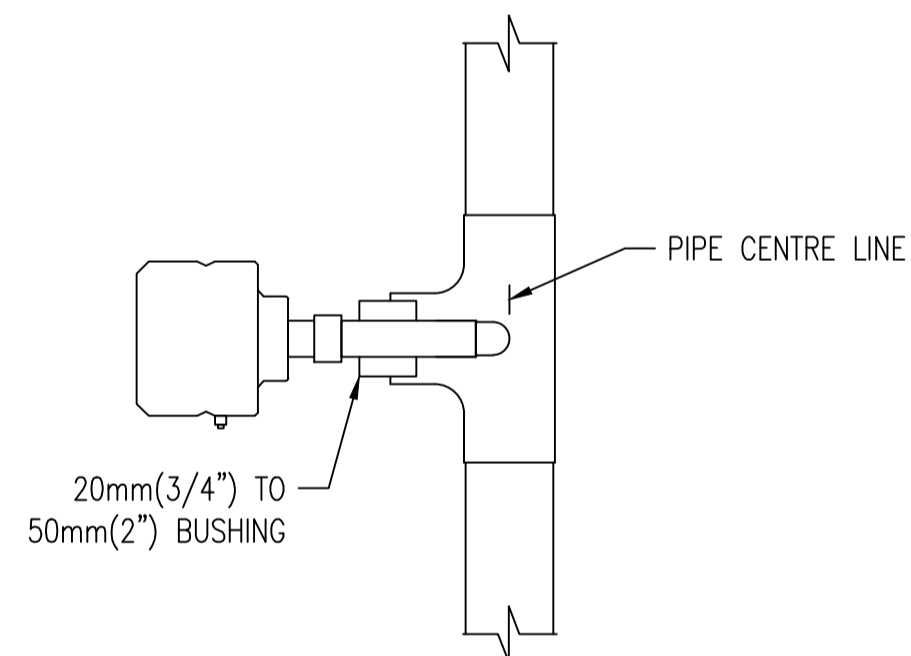
B FLOW METER - INSULATED DUCT
SCALE: 1 : 5



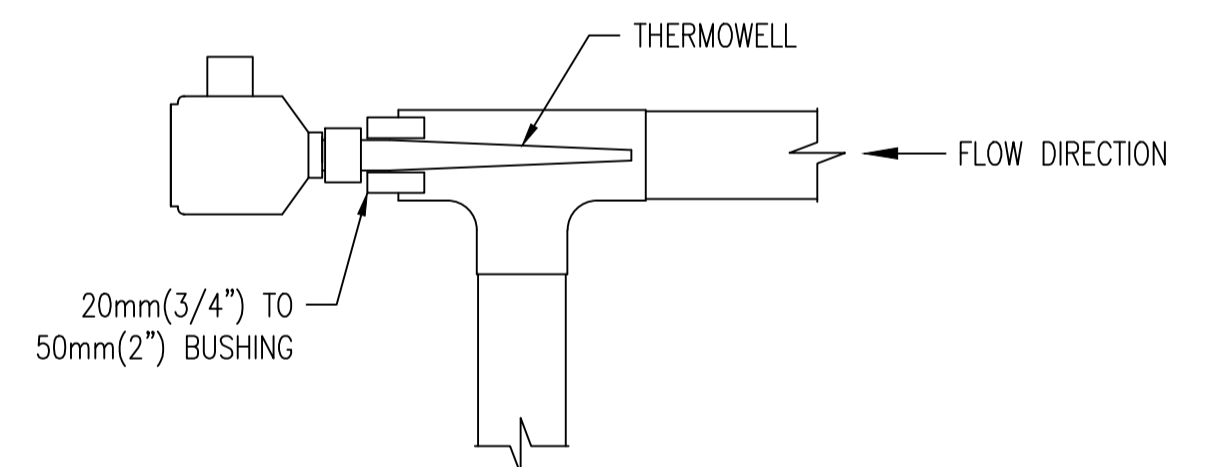
C TEMPERATURE TRANSMITTER - INSULATED DUCT
SCALE: 1 : 5



D TEMPERATURE TRANSMITTER - UN-INSULATED DUCT
SCALE: 1 : 5



E FLOW SWITCH - TEE CONNECTION
SCALE: 1 : 5



F TEMPERATURE TRANSMITTER - PIPE MOUNT
SCALE: 1 : 5

NOTES:
1. -



NO.	REVISIONS	DATE	DESIGN	CHECK
00	ISSUED FOR TENDER, BID OPP. 545-2012	2012/09/10	TMC	CJR

SNC-LAVALIN INC. 148 Nature Park Way Winnipeg, MB, Canada R3P 0X7 204-786-8080	
DESIGNED BY: T. CHURCH	CHECKED BY: C. REIMER
DRAWN BY: M.J. PERSSON	APPROVED BY: C. REIMER
SCALE: AS SHOWN	RELEASED FOR CONSTRUCTION BY: N. HARRINGTON
DATE: 2012/04/03	DATE: 2012/09/10
CONSULTANT NO.: 112577-0116-480D-0132	

ENGINEER'S SEAL

THE CITY OF WINNIPEG
 WATER AND WASTE DEPARTMENT

SOUTH END WATER POLLUTION CONTROL CENTRE
 VENTILATION & MISC. UPGRADES
 INSTALLATION DETAILS

CITY DRAWING NUMBER	SHEET	REV.	SIZE
1-0102G-A0128	001	00	A1

DRAWING NUMBER	REFERENCE DRAWINGS
----------------	--------------------