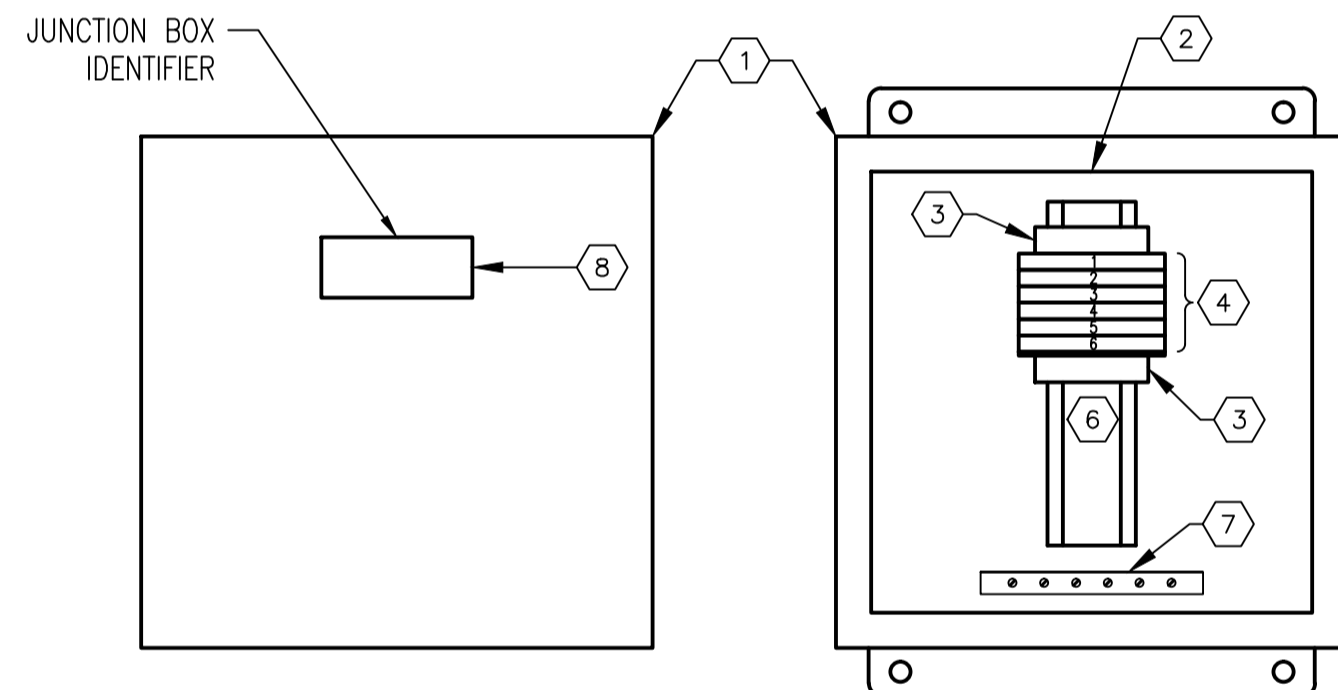


EXTERIOR PANEL VIEW
SCALE: 1 : 3

INTERIOR PANEL VIEW
SCALE: 1 : 3

JBA-G606



EXTERIOR PANEL VIEW
SCALE: 1 : 3

INTERIOR PANEL VIEW
SCALE: 1 : 3

TYPICAL JUNCTION BOX

BILL OF MATERIAL				
ITEM	QTY	DESCRIPTION	MANUFACTURER	CATALOG NUMBER
1	AS REQ'D	JUNCTION BOX, NEMA 12	HOFFMAN	A1008CH
2	AS REQ'D	BACKPAN	HOFFMAN	A10P8
3	AS REQ'D	TERMINAL END CLAMP	PHOENIX CONTACT	1201442
4	AS REQ'D	FEED THROUGH TERMINAL	PHOENIX CONTACT	3046184
5	AS REQ'D	TERMINAL END COVER	PHOENIX CONTACT	3047141
6	AS REQ'D	35mm DIN RAIL	PHOENIX CONTACT	0801733
7	1	GROUND BAR, 6 TAP	ILSCO	D167-6
8	1	PILOT LIGHT, GREEN, LED, 24VDC	ALLEN-BRADLEY	800T-QH24G
9	1	PILOT LIGHT, RED, LED, 24VDC	ALLEN-BRADLEY	800T-QH24R
10	AS REQ'D	LAMACOIDS, WHITE BACKGROUND, BLACK TEXT	-	-

BILL OF MATERIAL				
ITEM	QTY	DESCRIPTION	MANUFACTURER	CATALOG NUMBER
1	AS REQ'D	JUNCTION BOX, NEMA 12	HOFFMAN	A0808CH
2	AS REQ'D	BACKPAN	HOFFMAN	A8P8
3	AS REQ'D	TERMINAL END CLAMP	PHOENIX CONTACT	1201442
4	AS REQ'D	FEED THROUGH TERMINAL	PHOENIX CONTACT	3046184
5	AS REQ'D	TERMINAL END COVER	PHOENIX CONTACT	3047141
6	AS REQ'D	35mm DIN RAIL	PHOENIX CONTACT	0801733
7	1	GROUND BAR, 6 TAP	ILSCO	D167-6
8	AS REQ'D	LAMACOIDS, WHITE BACKGROUND, BLACK TEXT	-	-

JUNCTION BOX SCHEDULE	
JUNCTION BOX IDENTIFIER	TERMINAL QUANTITY
JBA-G601-XV-1	8
JBA-G601-XV-2	8
JBA-G602-XV-1	8
JBA-G602-XV-2	8
JBA-G682-FV-1	6
JBA-G682-FV-2	6
JBA-G682-PV-3	6
JBA-G692-XV	8
JBA-G7	9

NOTES:

- LABEL WIREWAY COVERS, BACKPLANE, AND TERMINALS AS SHOWN.



NO.	REVISIONS	DATE	DESIGN	CHECK
00	ISSUED FOR TENDER, BID OPP. 545-2012	2012/09/10	TMC	CJR

SNC-LAVALIN INC. 148 Nature Park Way Winnipeg, MB, Canada R3P 0X7 204-786-8080	
DESIGNED BY: I. CHURCH	CHECKED BY: C. REIMER
DRAWN BY: M.J. PERSSON	APPROVED BY: C. REIMER
SCALE: 1:3	RELEASED FOR CONSTRUCTION BY: N. HARRINGTON
DATE: 2012/04/03	DATE: 2012/09/10
CONSULTANT NO.: 112577-0116-48DD-0131	

ENGINEER'S SEAL

THE CITY OF WINNIPEG
 WATER AND WASTE DEPARTMENT
 SOUTH END WATER POLLUTION CONTROL CENTRE
 VENTILATION & MISC. UPGRADES
 PANEL LAYOUT
 JBA-G606 & TYPICAL JUNCTION BOX
 CITY DRAWING NUMBER: 1-0102G-A0127
 SHEET: 001
 REV.: 00
 SIZE: A1

DRAWING NUMBER	REFERENCE DRAWINGS
1-0102G-A0099	INSTRUMENT LOCATION PLAN, DRY WELL MECHANICAL ROOM
1-0102G-A0098	INSTRUMENT LOCATION PLAN, WET WELL AND FOYER
1-0102G-A0097	INSTRUMENT LOCATION PLAN, WET WELL MECHANICAL ROOM