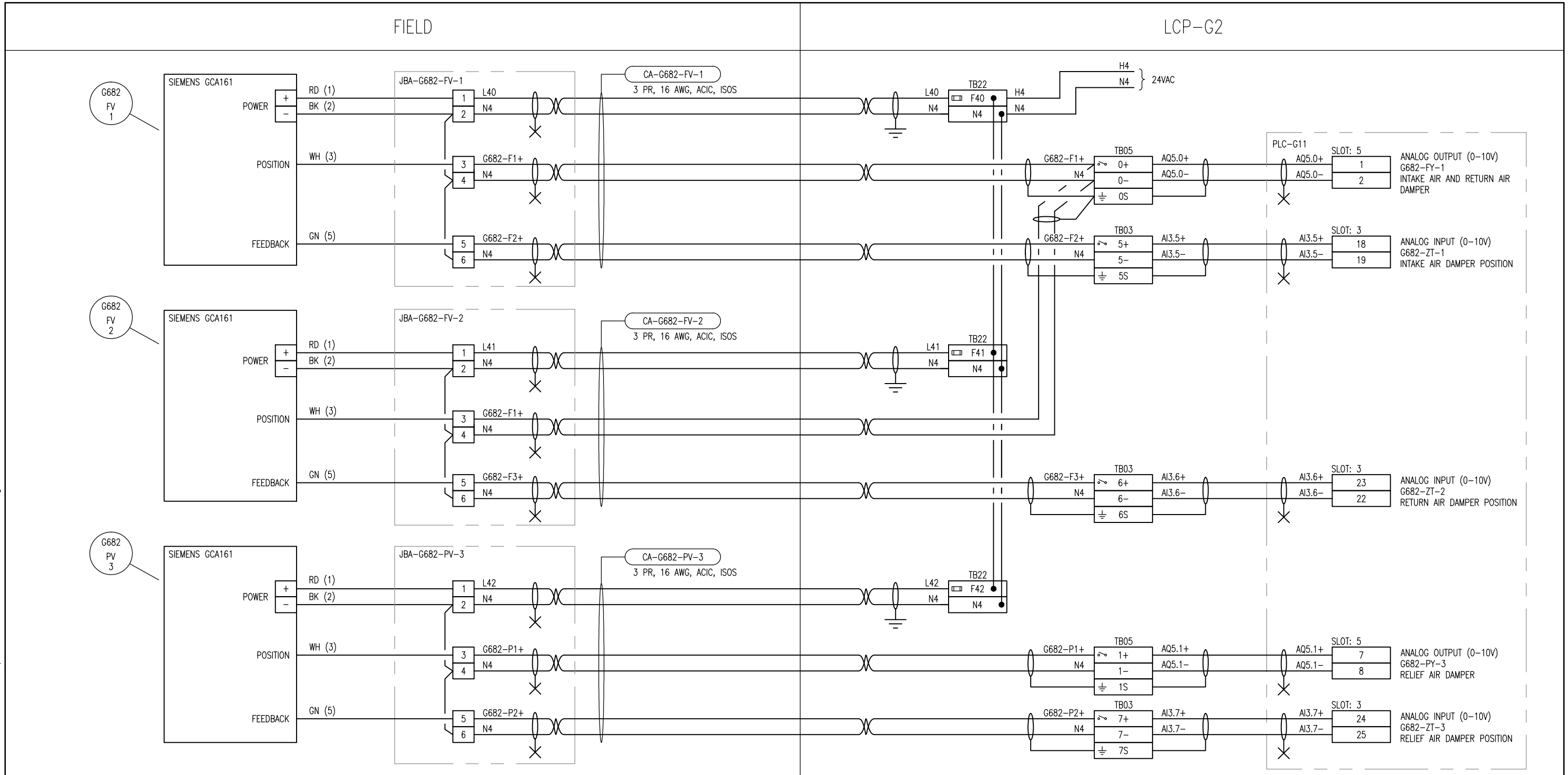


B SIZE - 279mm x 432mm

LAST SAVE: 2012/10/09 - 10:32am
 PATH: M:\112577\0116\4ENG\48&C\DD - General DWG\1-0102G-A0121-001-00.dwg



NOTES

00	ISSUED FOR TENDER, BID OPP. 545-2012	2012/09/10	TMC	CJR
NO.	REVISIONS	DATE	DESIGN	CHECK



SNC-LAVALIN INC.
 148 Nature Park Way
 Winnipeg, MB, Canada R3P 0X7
 204-786-8080

DESIGNED BY: T. CHURCH	CHECKED BY: C. REIMER
DRAWN BY: MJ. PERSSON	APPROVED BY: C. REIMER
SCALE: NTS	DATE: 2012/01/27
RELEASED FOR CONSTRUCTION	
BY: N. HARRINGTON	DATE: 2012/09/10
CONSULTANT NO.: 112577-0116-48DD-0122	

ENGINEER'S SEAL

THE CITY OF WINNIPEG
 WATER AND WASTE DEPARTMENT

SOUTH END WATER POLLUTION CONTROL CENTRE
 VENTILATION AND MISC UPGRADES
 LOOP DIAGRAM
 G682-FV-1, G682-FV-2, G682-PV-3
 G682-AHU INTAKE, RETURN & RELIEF DAMPERS

CITY DRAWING NUMBER	SHEET	REV.	SIZE
1-0102G-A0121	001	00	B