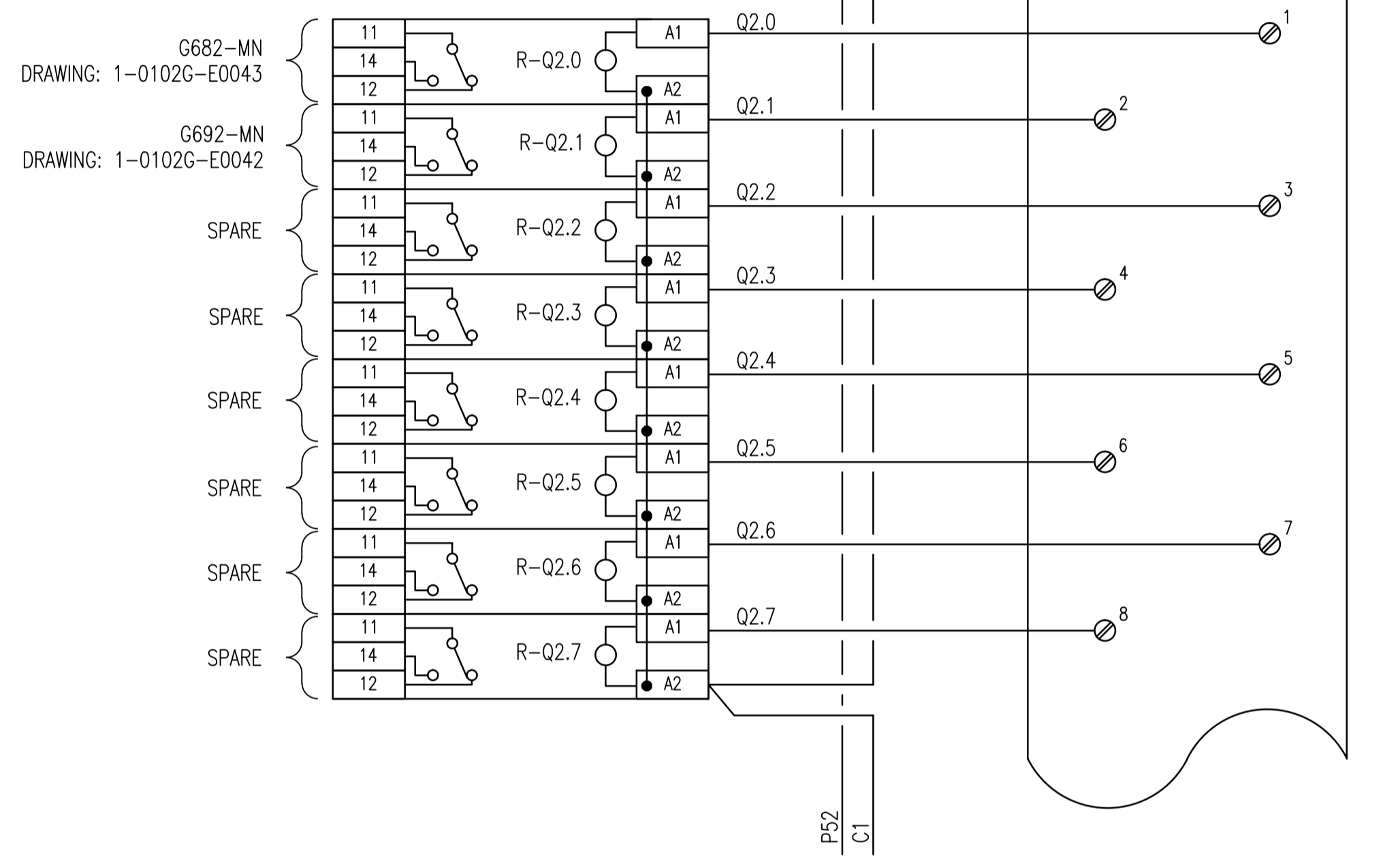


TB15
 24 VDC DISCRETE INPUT
 24 VDC RELAYS
 Q2.0-Q2.7

P52
 C1
 24V FROM TB20-F52
 DRAWING: 1-0102G-A0102

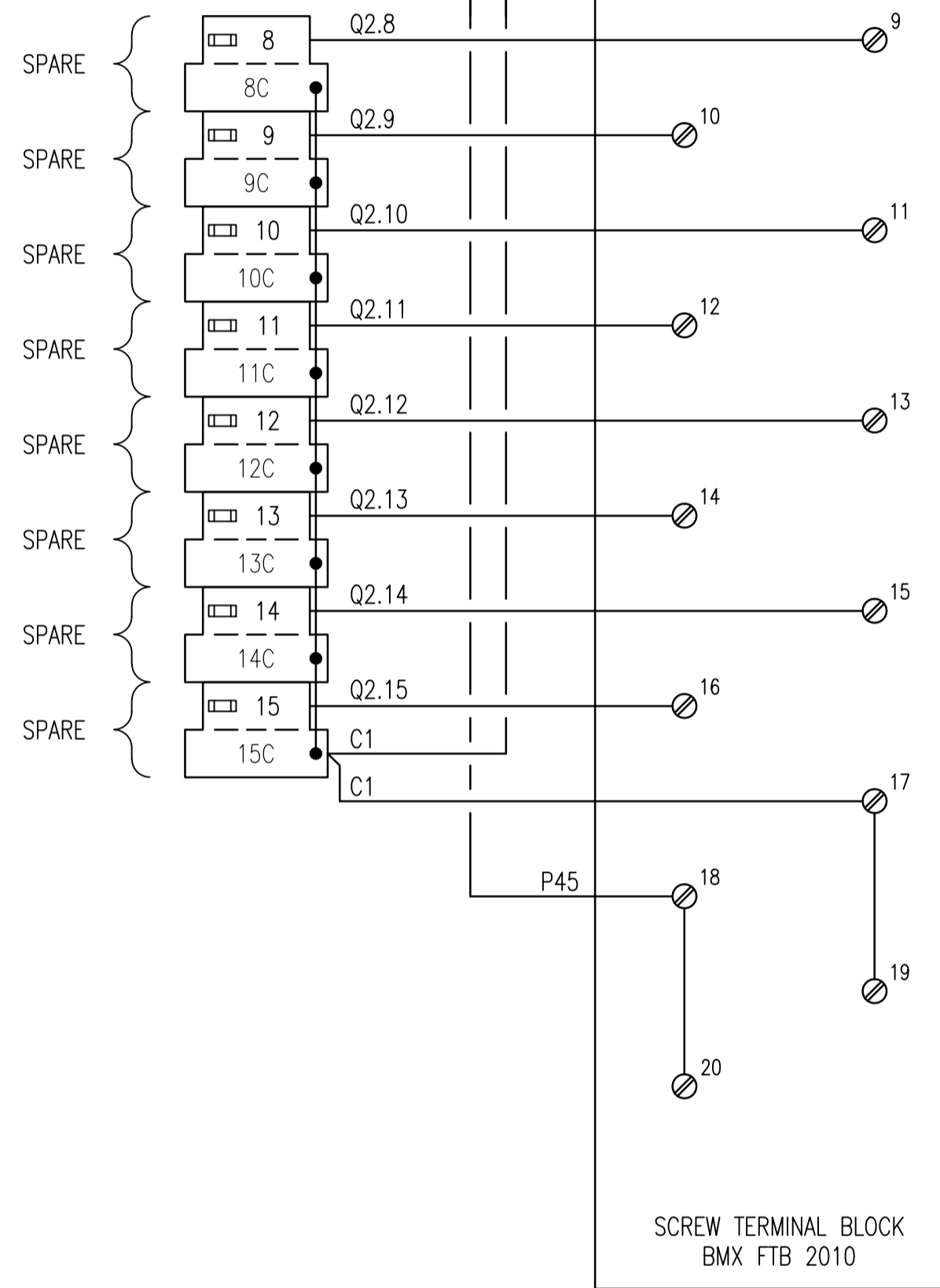
RACK 0, SLOT 2
 16 PT, 24 VDC, DISCRETE OUTPUT
 BMX DDO 1602



CONTINUED AT RIGHT

CONTINUED FROM LEFT

TB02
 24 VDC
 DISCRETE OUTPUT
 Q2.8-Q2.15



SCREW TERMINAL BLOCK
 BMX FTB 2010

| FUSE SCHEDULE | | | |
|---------------|------------|--------|-------------------|
| TB | IDENTIFIER | SIZE | RATED CURRENT (A) |
| TB02 | 8 | 5x20mm | 0.5 |
| | 9 | 5x20mm | 0.5 |
| | 10 | 5x20mm | 0.5 |
| | 11 | 5x20mm | 0.5 |
| | 12 | 5x20mm | 0.5 |
| | 13 | 5x20mm | 0.5 |
| | 14 | 5x20mm | 0.5 |
| | 15 | 5x20mm | 0.5 |

| DRAWING NUMBER | REFERENCE DRAWINGS |
|----------------|--------------------|
| | |



| NO. | REVISIONS | DATE | DESIGN | CHECK |
|-----|--------------------------------------|------------|--------|-------|
| 00 | ISSUED FOR TENDER, BID OPP. 545-2012 | 2012/08/31 | TMC | CJR |

| | |
|---|--|
| SNC-LAVALIN INC. 148 Nature Park Way Winnipeg, MB, Canada R3P 0X7 204-786-8080 | |
| DESIGNED BY: T. CHURCH | CHECKED BY: C. REIMER |
| DRAWN BY: M.J. PERSSON | APPROVED BY: C. REIMER |
| SCALE: NTS | RELEASED FOR CONSTRUCTION BY: N. HARRINGTON |
| DATE: 2012/02/01 | DATE: 2012/08/31 |
| CONSULTANT NO.: 112577-0116-480D-0111 | |

ENGINEER'S SEAL

THE CITY OF WINNIPEG
 WATER AND WASTE DEPARTMENT

SOUTH END WATER POLLUTION CONTROL CENTRE
 VENTILATION & MISC. UPGRADES
 WIRING DIAGRAM
 LCP-G2 DISCRETE OUTPUTS

| | | | |
|---------------------|-------|------|------|
| CITY DRAWING NUMBER | SHEET | REV. | SIZE |
| 1-0102G-A0110 | 001 | 00 | A1 |