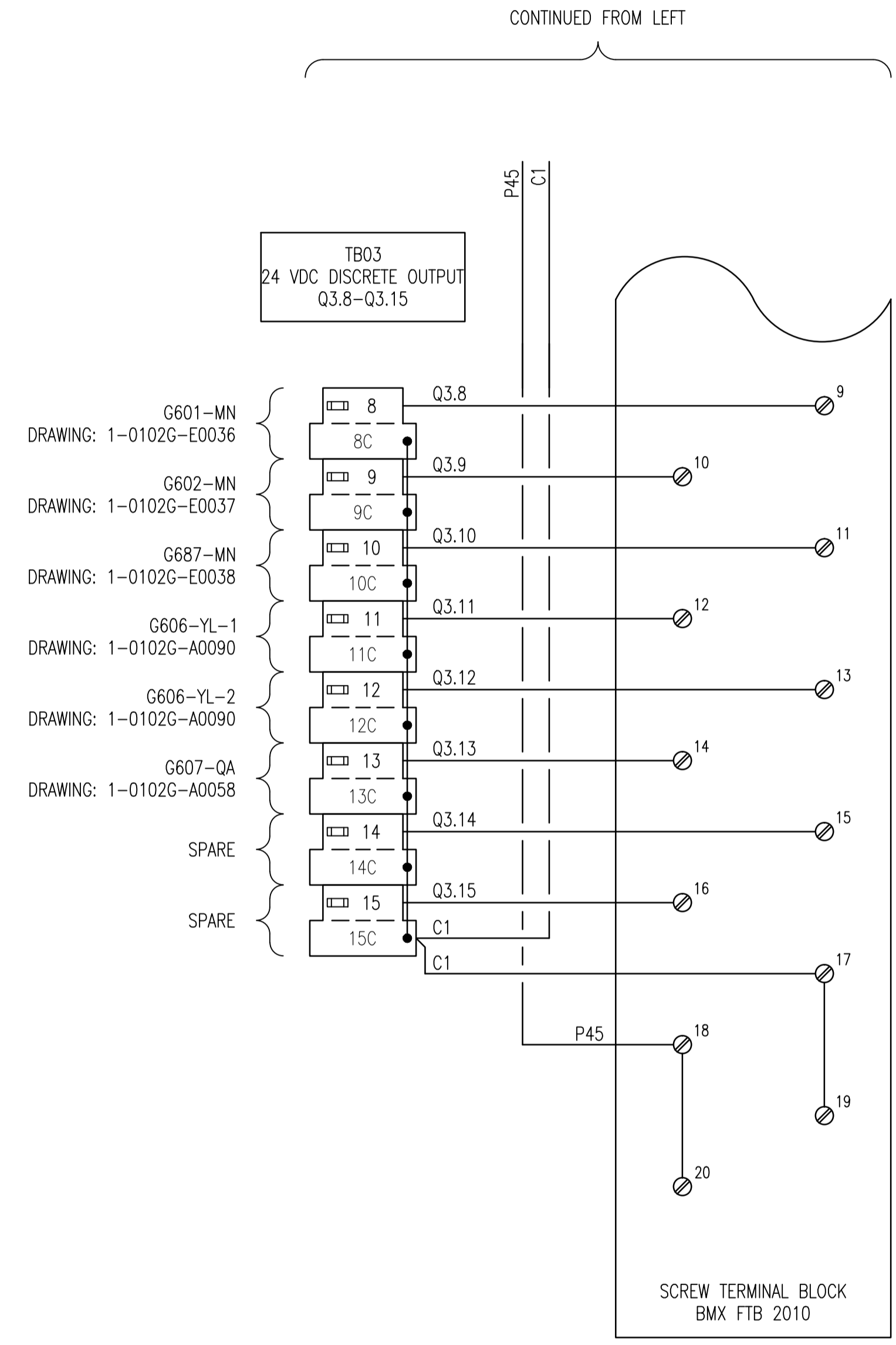
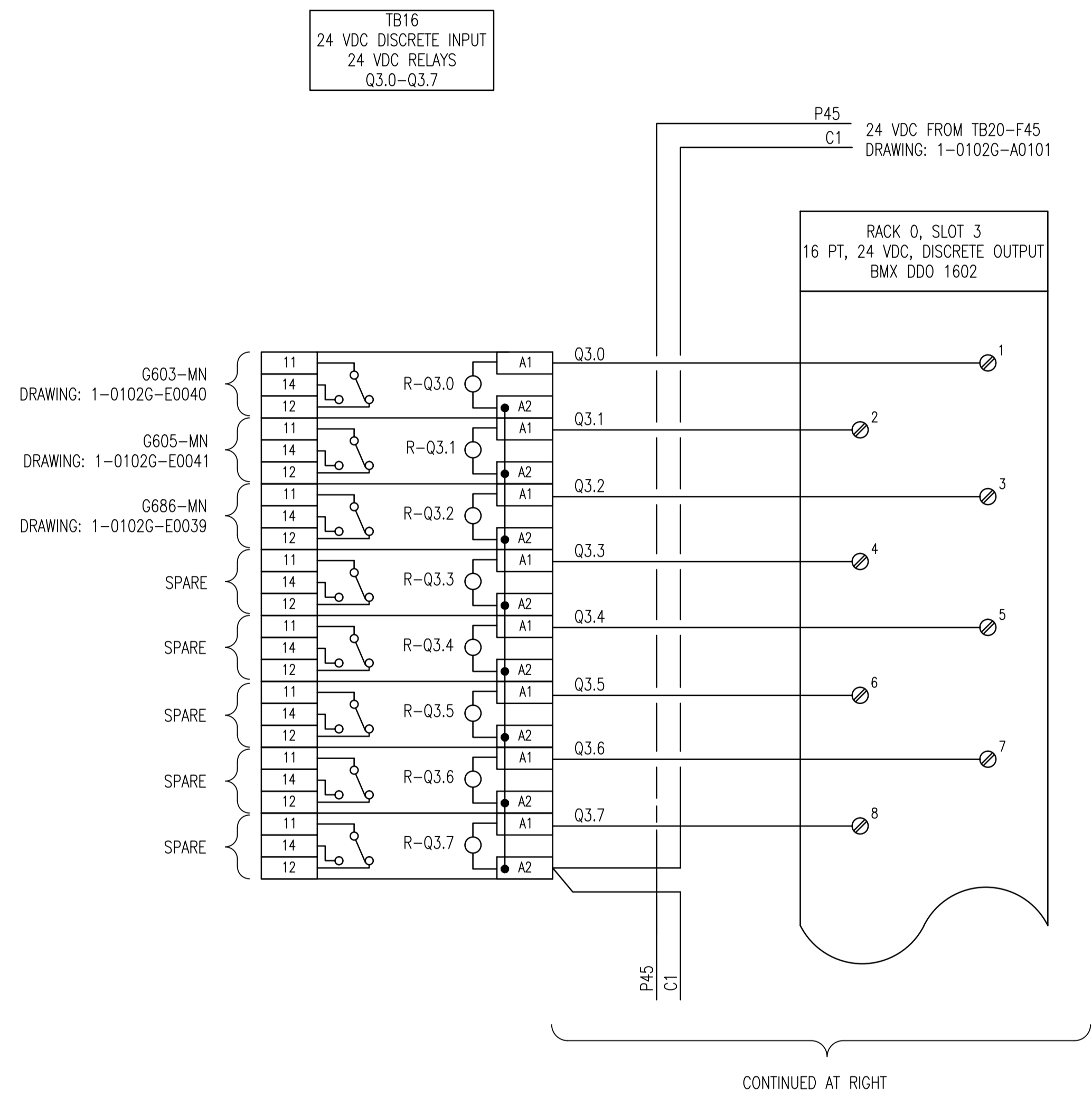


FUSE SCHEDULE			
TB	IDENTIFIER	SIZE	RATED CURRENT (A)
TB03	8	5x20mm	0.5
	9	5x20mm	0.5
	10	5x20mm	0.5
	11	5x20mm	0.5
	12	5x20mm	0.5
	13	5x20mm	0.5
	14	5x20mm	0.5
	15	5x20mm	0.5



DRAWING NUMBER	REFERENCE DRAWINGS



NO.	REVISIONS	DATE	DESIGN	CHECK
00	ISSUED FOR TENDER, BID OPP. 545-2012	2012/08/31	TMC	CJR

SNC-LAVALIN INC. 148 Nature Park Way Winnipeg, MB, Canada R3P 0X7 204-786-8080		ENGINEER'S SEAL
DESIGNED BY: T. CHURCH	CHECKED BY: C. REIMER	
DRAWN BY: M.J. PERSSON	APPROVED BY: C. REIMER	
SCALE: NTS	RELEASED FOR CONSTRUCTION BY: N. HARRINGTON	
DATE: 2012/02/01	DATE: 2012/08/31	
CONSULTANT NO.: 112577-0116-48DD-0104		

THE CITY OF WINNIPEG
 WATER AND WASTE DEPARTMENT

SOUTH END WATER POLLUTION CONTROL CENTRE
 VENTILATION & MISC. UPGRADES
 WIRING DIAGRAM
 LCP-G1 DISCRETE OUTPUTS

CITY DRAWING NUMBER	SHEET	REV.	SIZE
1-0102G-A0103	001	00	A1