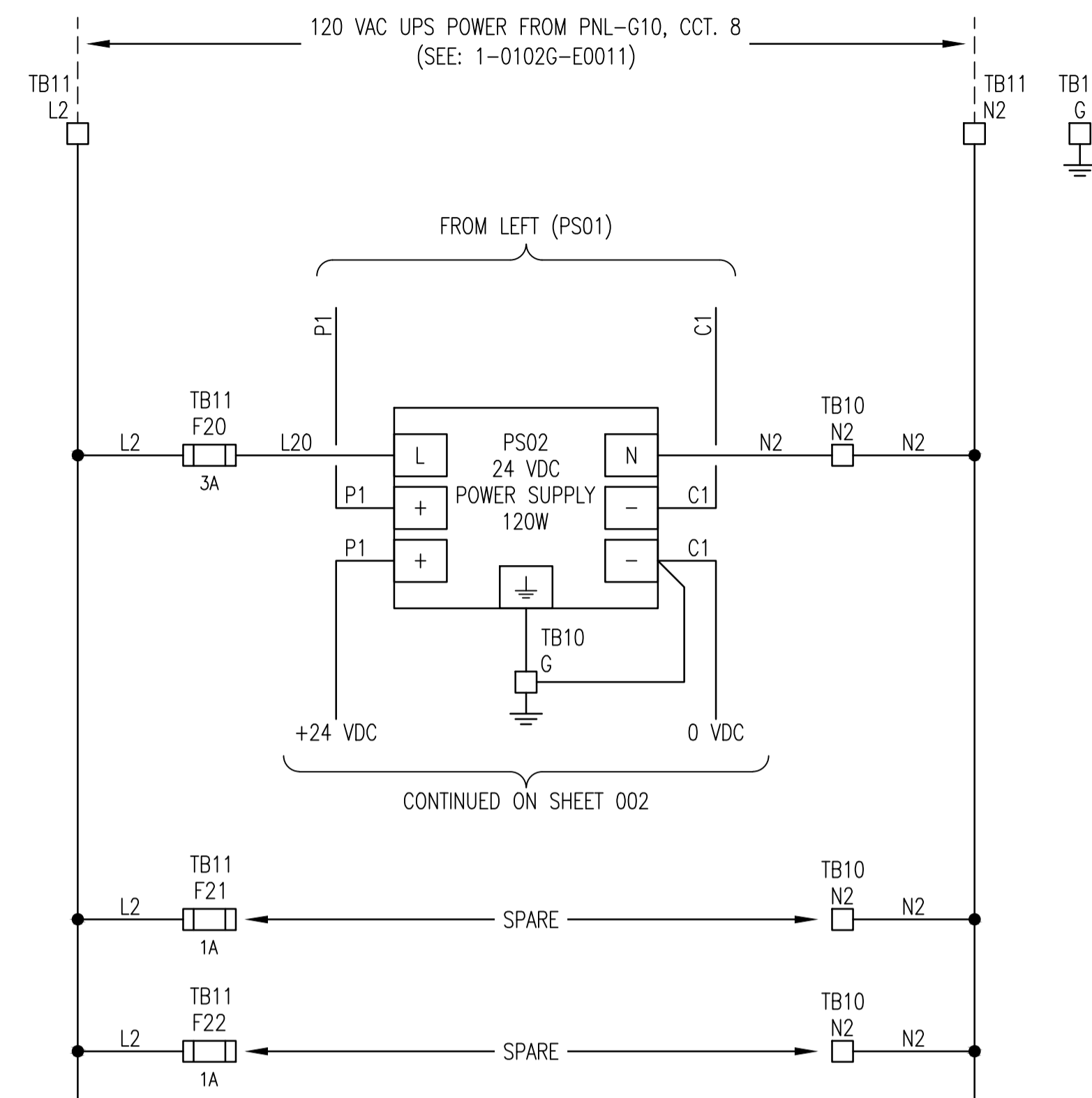
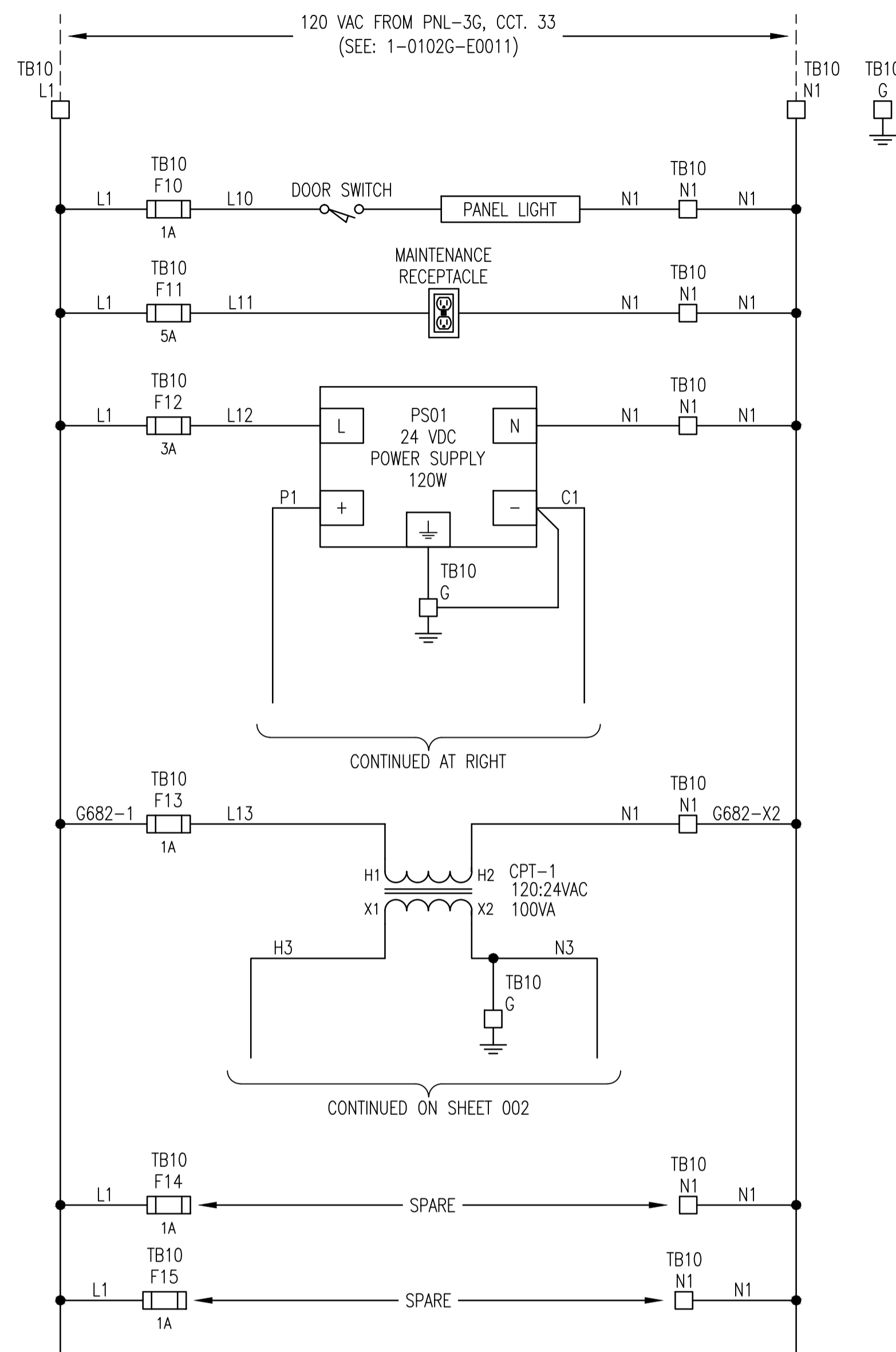


NOTES:
 1. 24VDC POWER SUPPLIES TO BE CAPABLE OF PARALLEL OPERATION.

FUSE SCHEDULE			
TB	IDENTIFIER	SIZE	RATED CURRENT
TB10	F10	5x20mm	1A
	F11	5x20mm	5A
	F12	5x20mm	3A
	F13	5x20mm	1A
	F14	5x20mm	1A
TB11	F20	5x20mm	3A
	F21	5x20mm	1A
	F22	5x20mm	1A

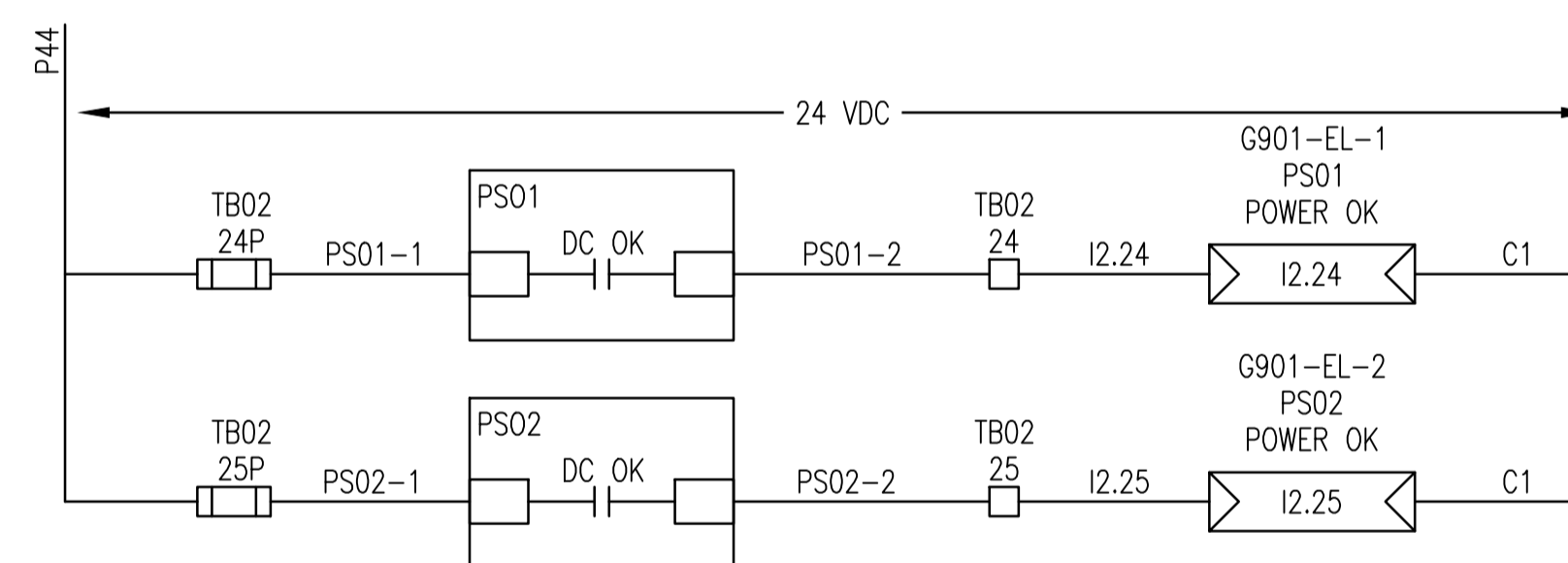
TERMINAL LAYOUT TB10

L1
N1
G
F10
F11
F12
F13
F14
F15
N1
N1
N1
N1
N1



TERMINAL LAYOUT TB11

L2
N2
G
F20
F21
F22
N2
N2



NO.	REVISIONS	DATE	DESIGN	CHECK
00	ISSUED FOR TENDER, BID OPP. 545-2012	2012/08/31	TMC	

SNC-LAVALIN INC. 148 Nature Park Way Winnipeg, MB, Canada R3P 0X7 204-786-8080	
DESIGNED BY: T. CHURCH	CHECKED BY: C. REIMER
DRAWN BY: M.J. PERSSON	APPROVED BY: C. REIMER
SCALE: NTS	RELEASED FOR CONSTRUCTION BY: N. HARRINGTON
DATE: 2012/01/31	DATE: 2012/08/31
CONSULTANT NO.: 112577-0116-48DD-0102	

ENGINEER'S SEAL

THE CITY OF WINNIPEG
 WATER AND WASTE DEPARTMENT

SOUTH END WATER POLLUTION CONTROL CENTRE
 VENTILATION & MISC UPGRADES
 POWER DISTRIBUTION SCHEMATIC
 LCP-G1

CITY DRAWING NUMBER	SHEET	REV.	SIZE
1-0102G-A0101	001	00	A1