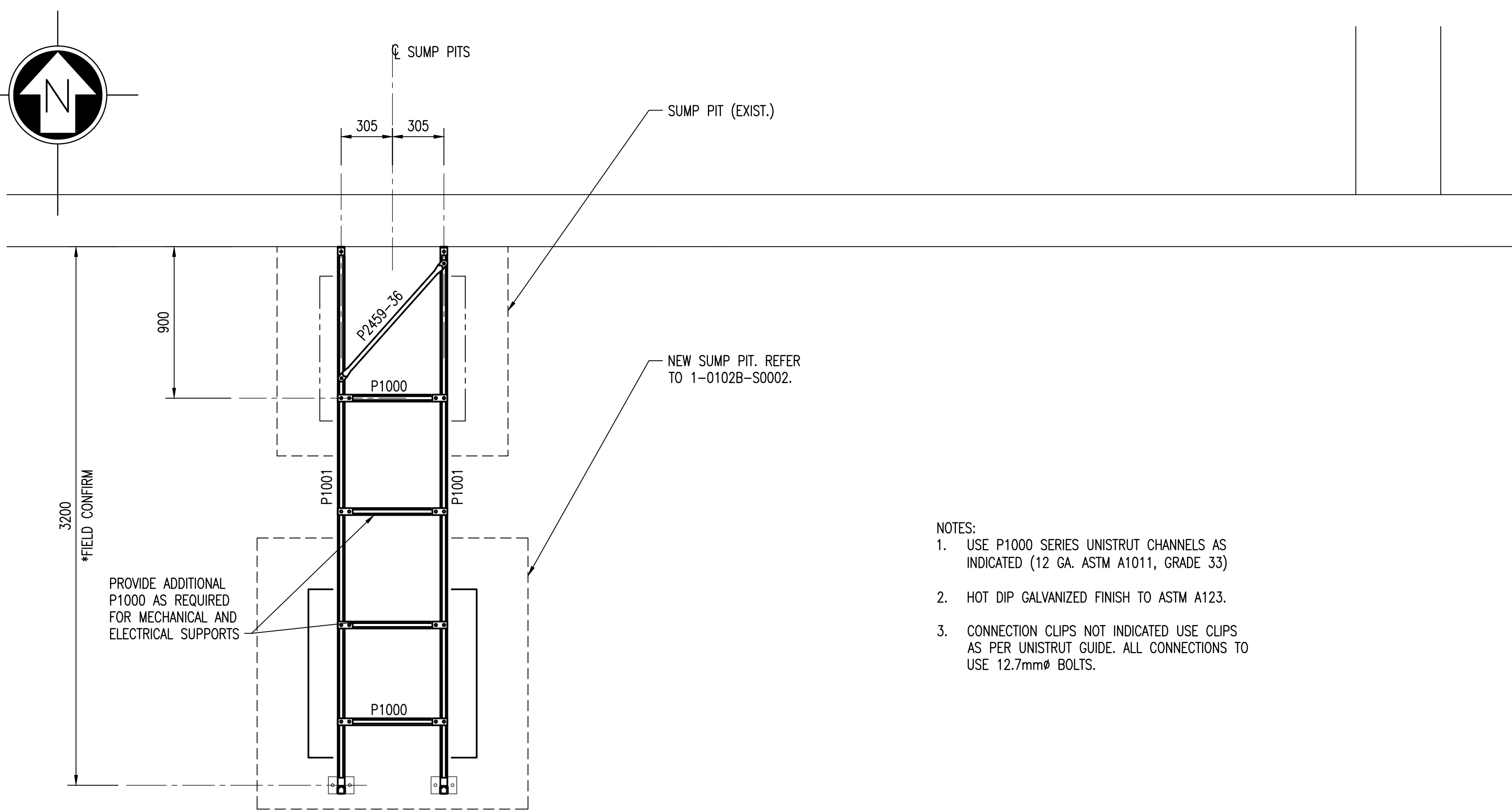
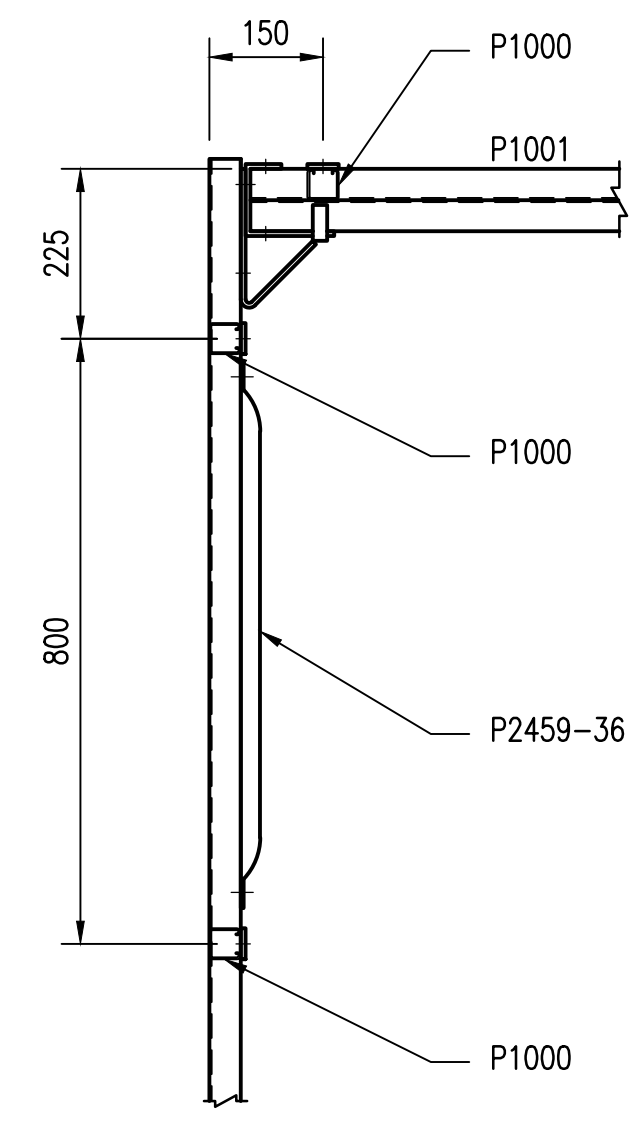


LAST SAVE: 2012/10/19 - 2:59pm
 PATH: M:\112577\0116\4ENG\425TR\DD - General DWG\1-0102B-S0003-001-00.dwg
 A1 SIZE - 594mm x 841mm

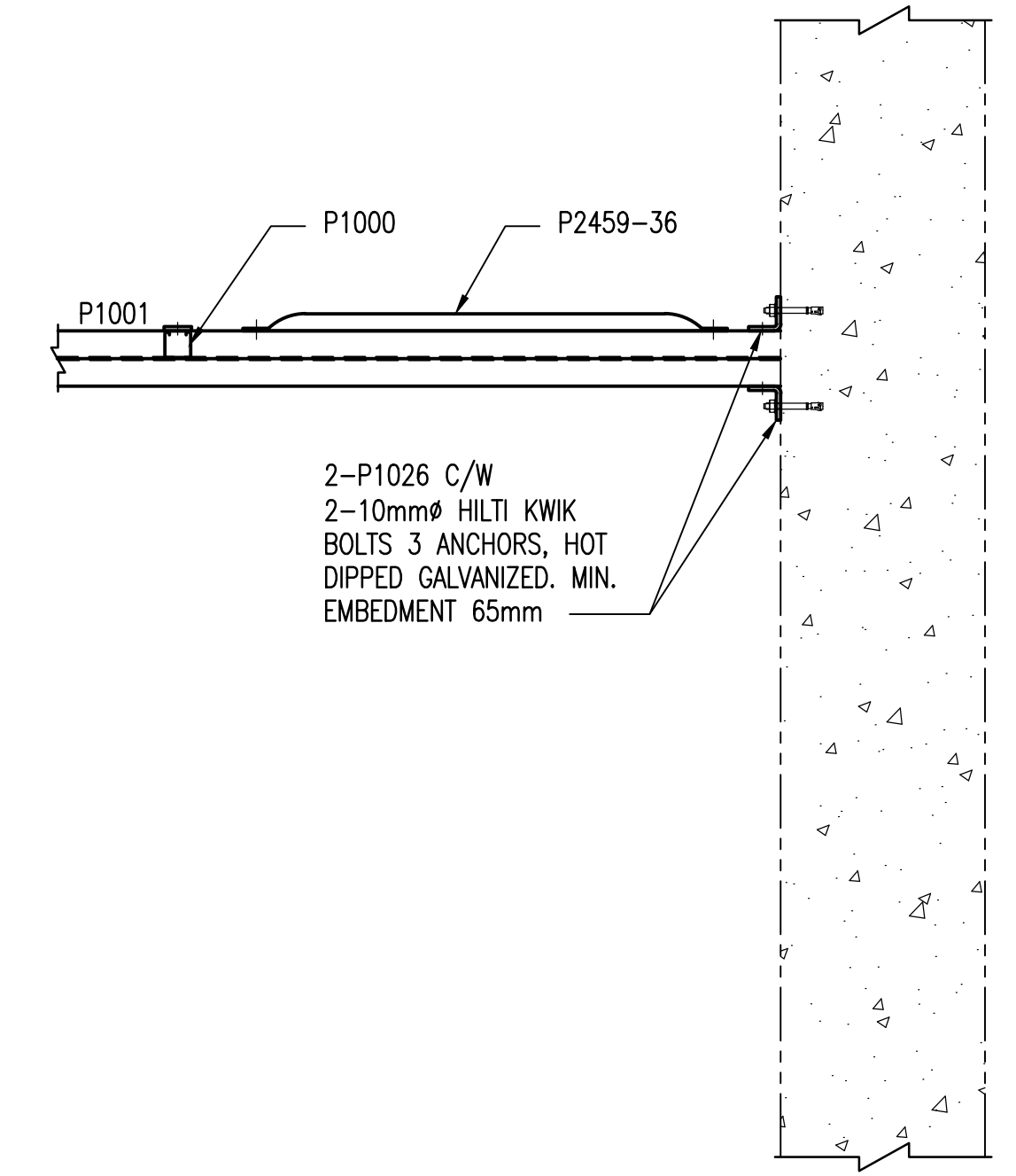


PLAN

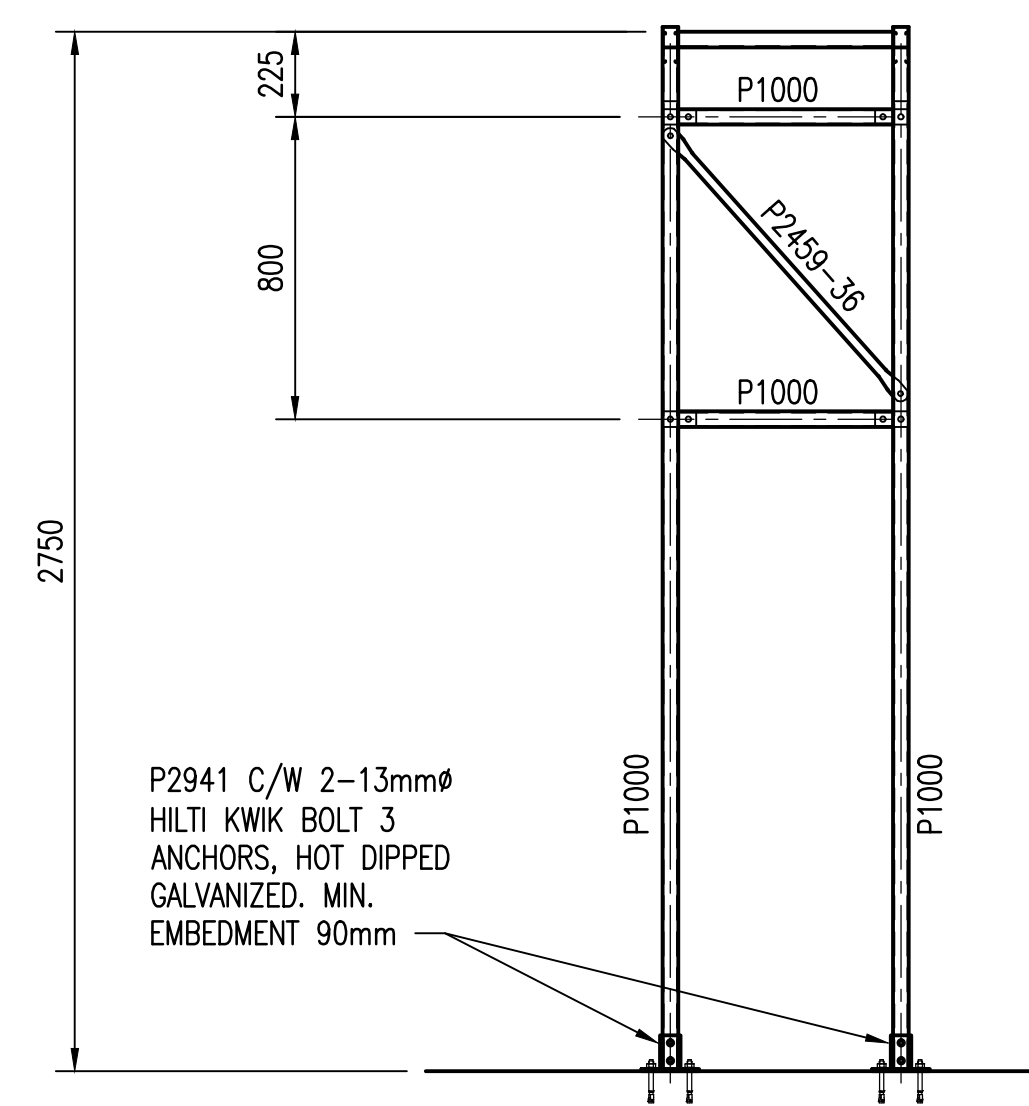
- NOTES:
1. USE P1000 SERIES UNISTRUT CHANNELS AS INDICATED (12 GA. ASTM A1011, GRADE 33)
 2. HOT DIP GALVANIZED FINISH TO ASTM A123.
 3. CONNECTION CLIPS NOT INDICATED USE CLIPS AS PER UNISTRUT GUIDE. ALL CONNECTIONS TO USE 12.7mm ϕ BOLTS.



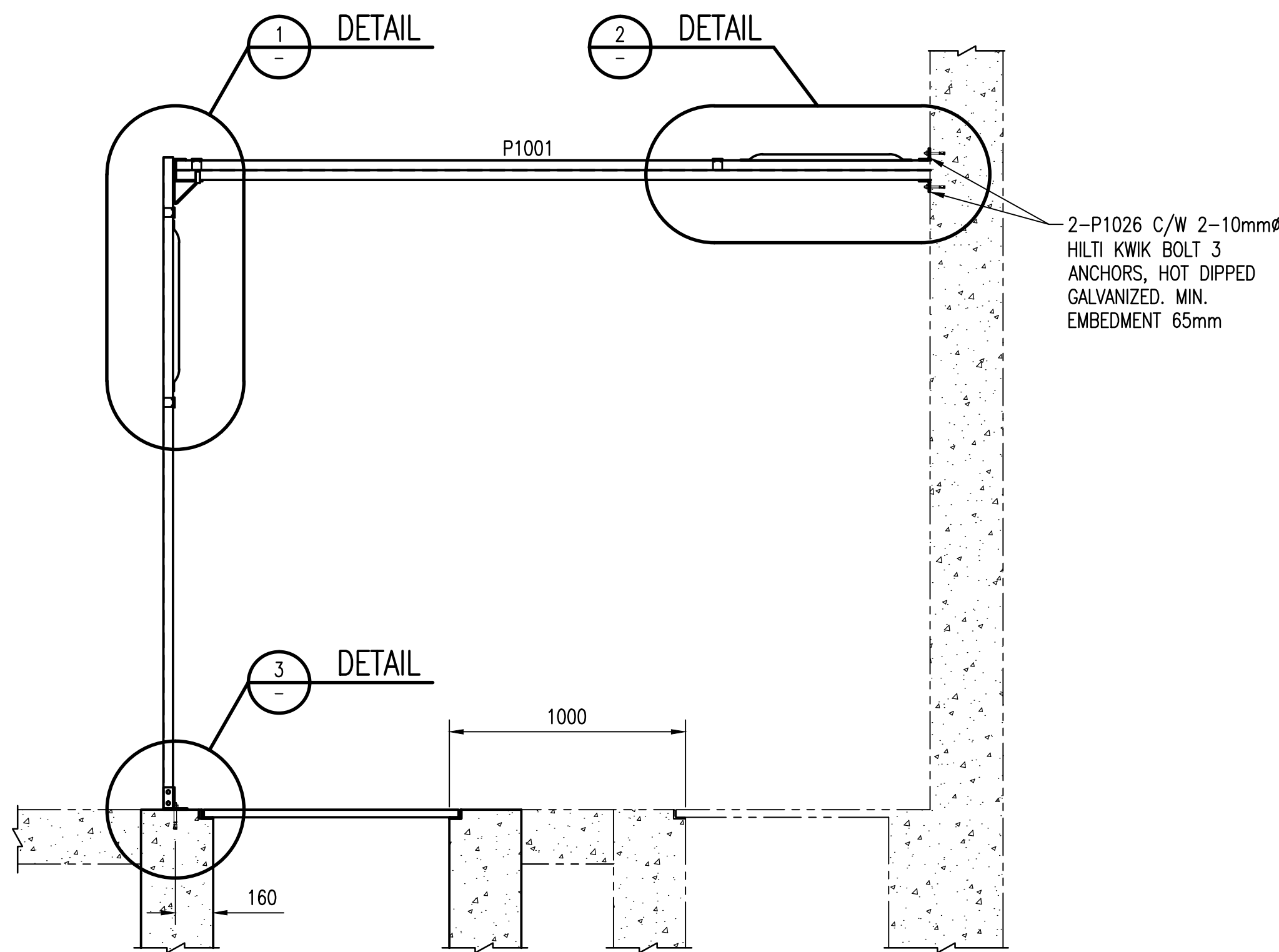
1 DETAIL
1:10



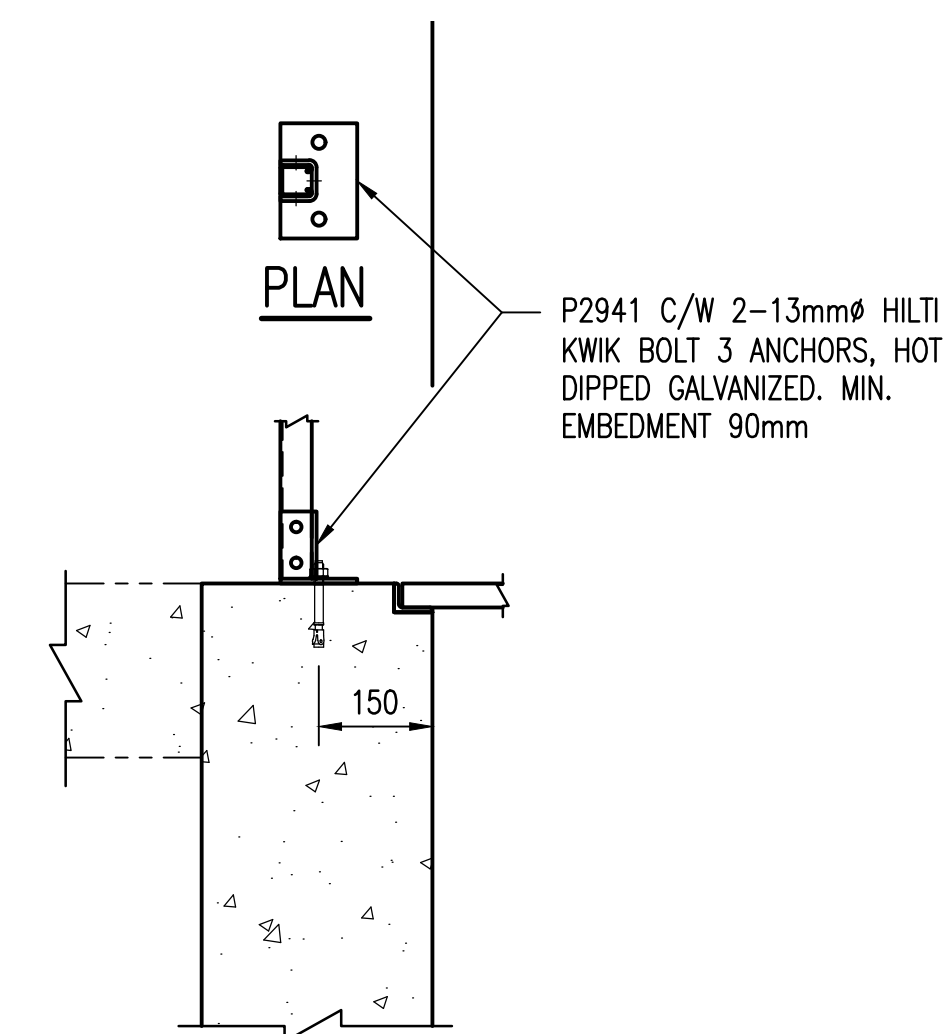
2 DETAIL
1:10



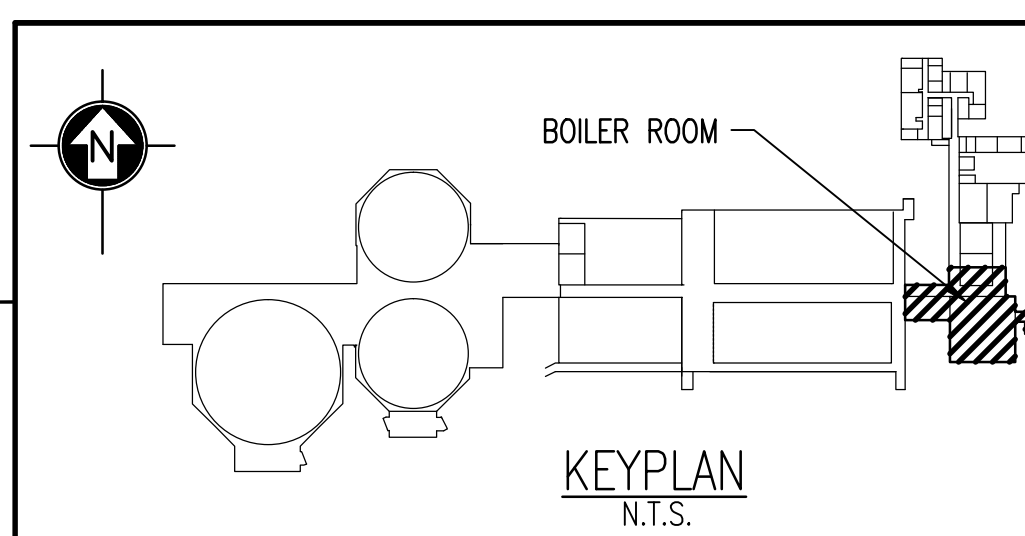
ELEVATION



SIDE ELEVATION



3 DETAIL
1:10



NO.	REVISIONS	DATE	DESIGN	CHECK
00	ISSUED FOR TENDER, BID OPP. 545-2012	2012/10/15	KK	RB

 SNC-LAVALIN INC. 148 Nature Park Way Winnipeg, MB, Canada R3P 0X7 204-786-8080	
DESIGNED BY: K. KOTYK	CHECKED BY: R. BEAN
DRAWN BY: K. McINTOSH	APPROVED BY: C. REIMER
SCALE: 1:20 U.N.	RELEASED FOR CONSTRUCTION BY: N. HARRINGTON
DATE: 2012/05/15	DATE: 2012/09/10
CONSULTANT NO.: 112577-0116-42DD-0003	

ENGINEER'S SEAL

ORIGINAL DRAWING
SEALED BY:
K. K. KOTYK
SNC-LAVALIN
MEMBER #21950
2012/10/18
REV. 00

THE CITY OF WINNIPEG
WATER AND WASTE DEPARTMENT

SOUTH END WATER POLLUTION CONTROL CENTRE
VENTILATION & MISC. UPGRADE
PLAN, ELEVATIONS & DETAILS
PIPE RACK OVER SUMP PITS

CITY DRAWING NUMBER	SHEET	REV.	SIZE
1-0102B-S0003	001	00	A1