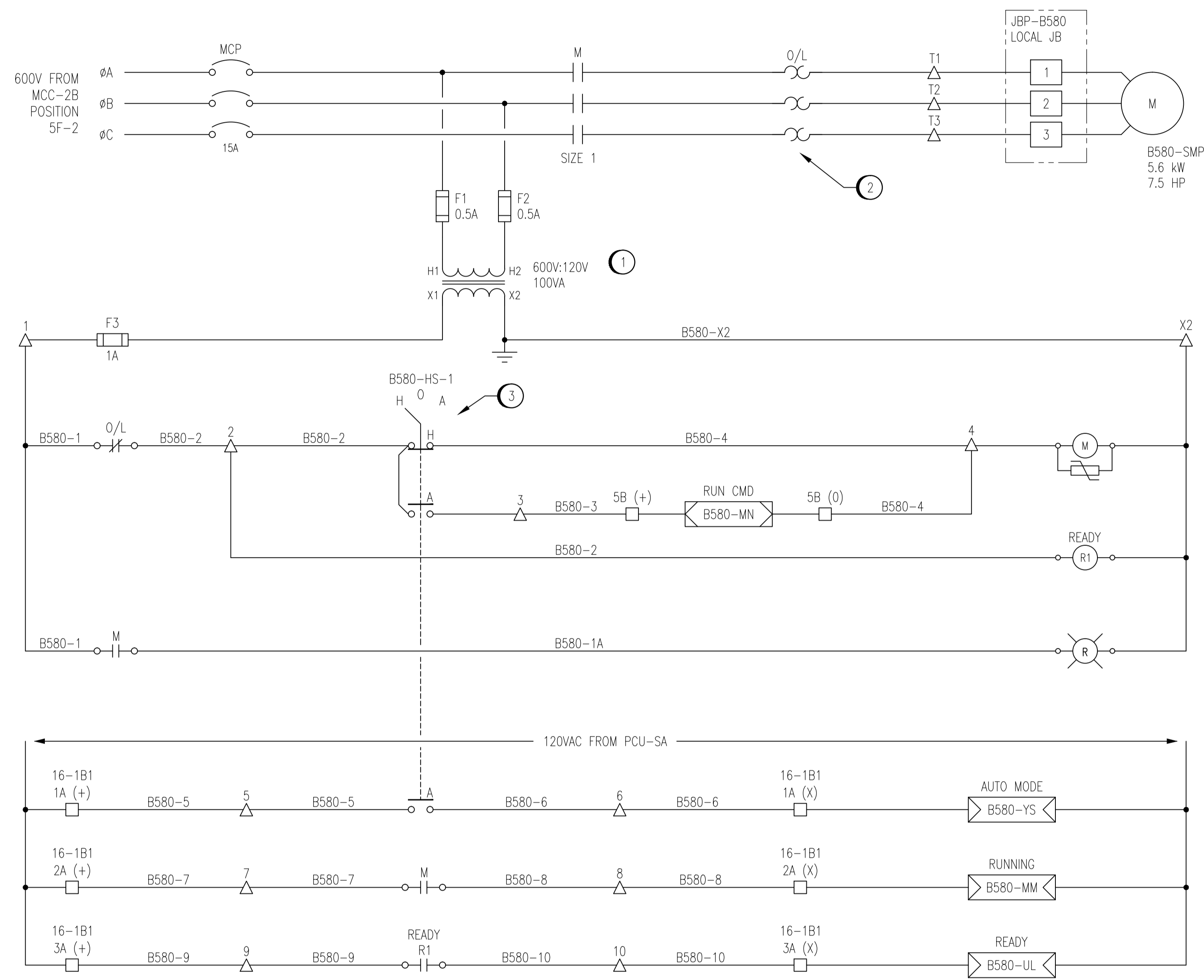


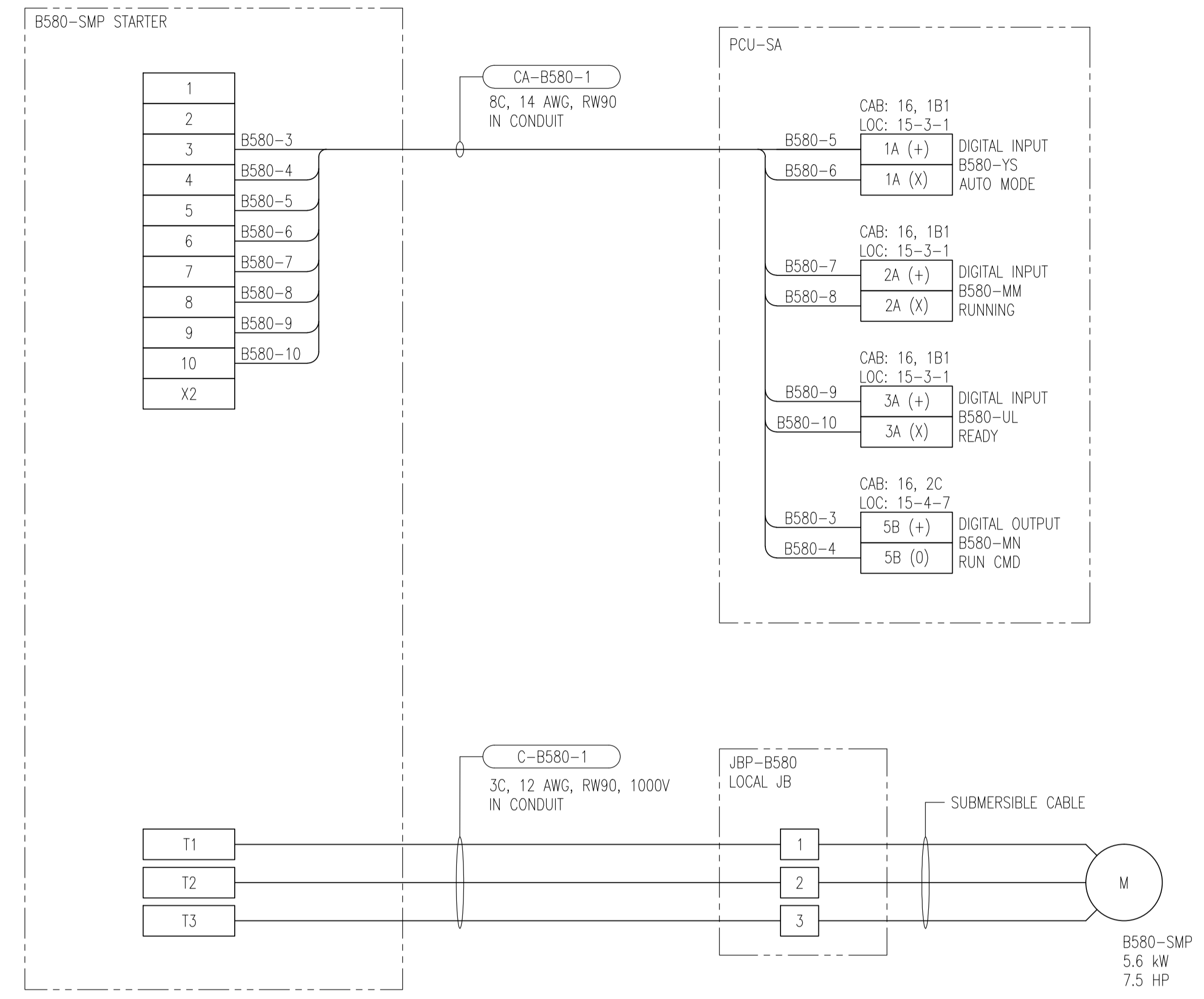
ELEMENTARY DIAGRAM:



LEGEND:

| | |
|----|----------------------|
| △ | MCC TERMINAL |
| □ | DCS CABINET TERMINAL |
| ◀▶ | DCS OUTPUT |
| ▶◀ | DCS INPUT |

FIELD CONNECTION DIAGRAM:



- CONSTRUCTION NOTES:**
- 1 MODIFY MCC BUCKET AS SHOWN.
 - 2 REPLACE OVERLOAD TO SUIT MOTOR. MARK NEW OVERLOAD MODEL RATING ON THE AS-BUILT MARK UP.
 - 3 ADD HOA SWITCH TO FRONT OF MCC BUCKET.

| | |
|----------------|---|
| SEP-908 | MCC-2B LAYOUT |
| 1-0102B-E0012 | INSTALLATION DETAIL, BOILER ROOM FLOOD PUMP |
| DRAWING NUMBER | REFERENCE DRAWINGS |



| | | | |
|---|--|--|--|
| <p>SNC-LAVALIN INC. 148 Nature Park Way Winnipeg, MB, Canada R3P 0X7 204-786-8080</p> | | ENGINEER'S SEAL | <p>THE CITY OF WINNIPEG WATER AND WASTE DEPARTMENT</p> |
| DESIGNED BY: T. CHURCH DRAWN BY: M.J. PERSSON SCALE: NTS DATE: 2012/01/26 | CHECKED BY: C. REIMER APPROVED BY: C. REIMER RELEASED FOR CONSTRUCTION BY: N. HARRINGTON DATE: 2012/08/31 | SOUTH END WATER POLLUTION CONTROL CENTRE VENTILATION AND MISCELLANEOUS UPGRADES MOTOR SCHEMATIC B580-SMP FLOOD PUMP | |
| CONSULTANT NO.: 112577-0116-47DD-1002 | | CITY DRAWING NUMBER 1-0102B-E0013 | SHEET 001 |
| NO. REVISIONS | | DATE | REV. 00 |
| DATE | | DESIGN | SIZE A1 |
| CHECK | | 1-0102B-E0013-001-00.dwg | |