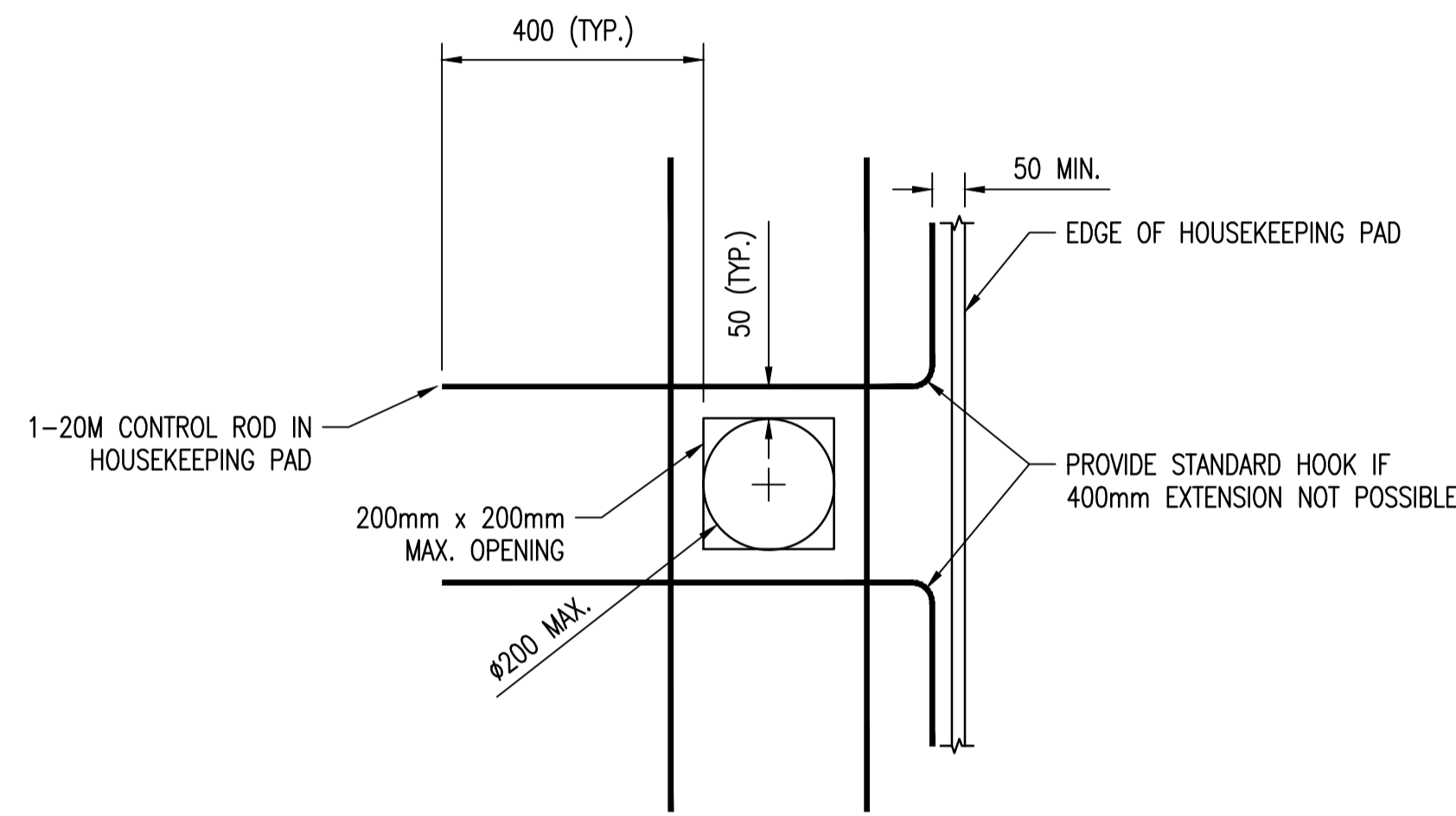
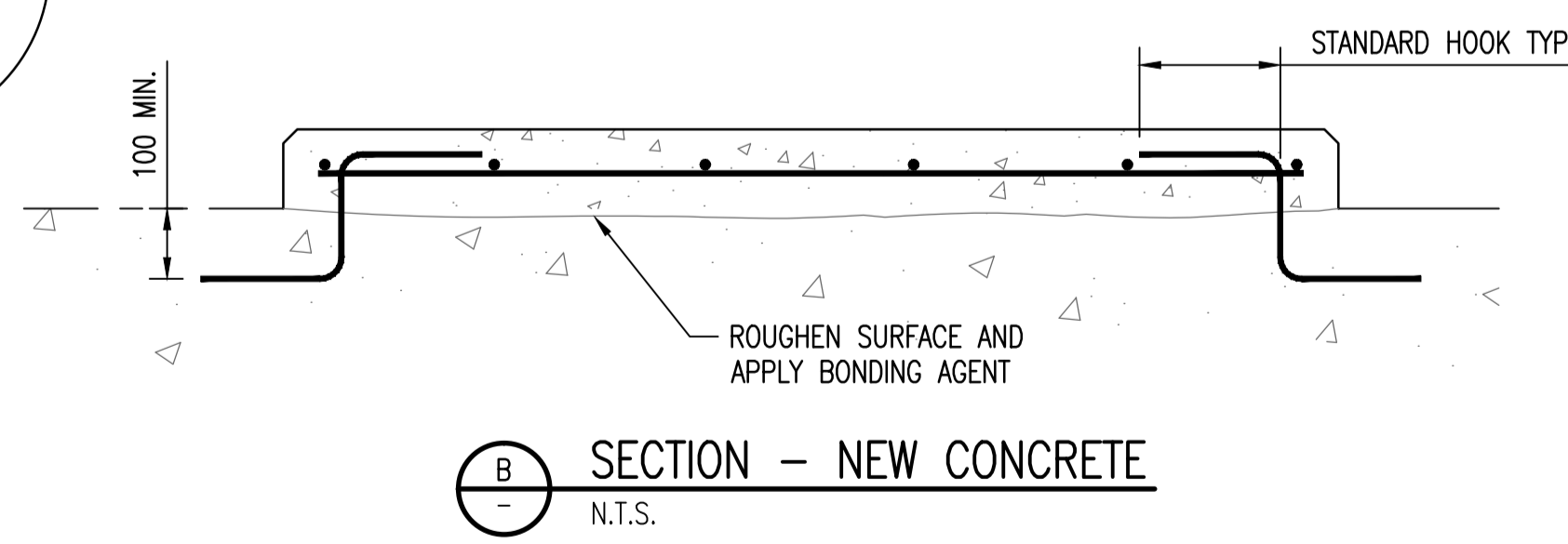
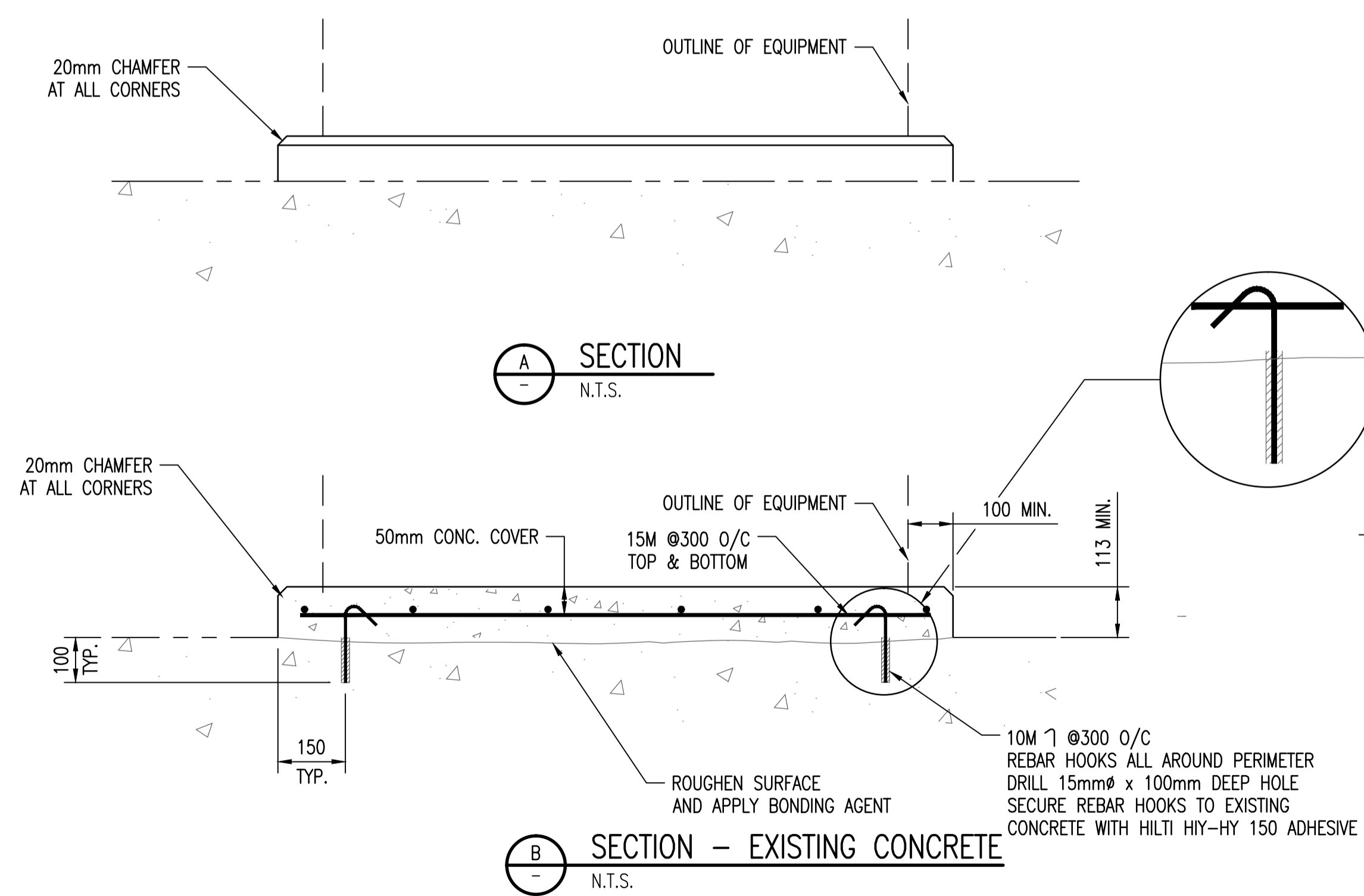


HOUSKEEPING PAD PLAN
N.T.S.



TYPICAL OPENING IN HOUSEKEEPING PAD
N.T.S.



BAR SIZE	BAR DIA (mm)	DIA ID (mm)	E (mm)
10M	11.3	45.0	100
15M	16.0	65.0	140
20M	19.5	120.0	220

STANDARD STIRRUP AND TIE BENDING

STANDARD 90° HOOKS (MM)				
BAR SIZE	BAR DIA	DIA ID	A or G	Ldh (30 MPa)
10M	11.3	70	150	180
15M	16.0	100	220	270
20M	19.5	120	260	370

LENGTH SPECIFIED Ldh

DIA ID

A or G

- GENERAL NOTES:**
- DESIGN LOAD INFORMATION**
- THE HOUSEKEEPING PAD SHOWN IS NOT STRUCTURAL. THE SUPPORTING STRUCTURE UPON WHICH THE HOUSEKEEPING PAD IS INSTALLED SHALL BE CAPABLE OF SUPPORTING ALL LOADS AND DYNAMIC EFFECTS.
 - THE HOUSEKEEPING PAD HAS NOT BEEN DESIGNED FOR CORROSIVE ENVIRONMENTS AND MODIFICATION TO SUIT THE INSTALLED ENVIRONMENT IS BY OTHERS.
- CONCRETE**
- WORK, MATERIALS AND TESTING SHALL BE IN CONFORMANCE WITH CSA A23.1, AND CSA A23.2
 - CONCRETE SHALL BE READY MIXED, CONFORMING TO CSA A23.1 (ALTERNATIVE 1), AND AS NOTED HEREIN:
- CEMENT TYPE: GU
 CONCRETE COMPRESSIVE STRENGTH @ 28 DAYS: 30 MPa
 MAXIMUM AGGREGATE SIZE: 20 MM
 MAXIMUM SLUMP: 100 MM
 AIR CONTENT: 0% TO 3%
 W/C RATIO: 0.45 MAXIMUM
 CLASS OF SULPHATE AND CHLORIDE EXPOSURE: S-3 AND C-3
- LIMESTONE CEMENT SHALL NOT BE USED UNLESS AUTHORISED IN WRITING BY THE CONTRACT ADMINISTRATOR.
 - GU₆ CEMENT MAY BE USED IN LIEU OF GU CEMENT WHEN AUTHORISED IN WRITING BY THE CONTRACT ADMINISTRATOR. MAXIMUM SUBSTITUTION OF FLYASH FOR PORTLAND CEMENT TO BE 25% BY WEIGHT.
 - FLYASH SHALL NOT HAVE A HIGH ALKALI, SULPHATE OR REACTIVE MATERIAL CONTENT AND SHALL BE TYPE 'F' AND FLYASH SHALL HAVE A PROVEN HISTORY OF SATISFACTORY USE FOR PERIOD OF NOT LESS THAN 10 YEARS.
 - REINFORCING STEEL SHALL BE NEW BILLET GRADE STEEL MEETING THE REQUIREMENT OF CSA G30.18, GRADE 400.
 - SUPPORT REINFORCING STEEL ON SUFFICIENT SUPPORT CHAIRS TO MAINTAIN CONCRETE COVER AS SPECIFIED.
 - REMOVE ALL LOOSE AND DELETERIOUS MATERIAL FROM REINFORCING STEEL.
 - TOLERANCES SHALL BE AS STIPULATED IN ACI 315.
 - NOTIFY CONTRACT ADMINISTRATOR FOR REVIEW OF REINFORCING STEEL PRIOR TO POUR.
 - SATURATE THE CONCRETE SURFACE FOR ONE HOUR PRIOR TO APPLYING THE BONDED CONCRETE TOPPING. PROVIDE A SATURATED SURFACE DRY CONDITION.
 - APPLY LATEX BONDING AGENT IN ACCORDANCE WITH MANUFACTURER'S PRINTED INSTRUCTIONS. BONDING AGENT TO BE DARAWELD 'C'.
 - PROVIDE A WET 'BURLAP' CURE FOR 7 DAYS MIN.
 - EXPOSED CONCRETE SHALL BE SEALED WITH MEADOWS SEALTIGHT CS-309.
 - ALL WORK TO BE EXECUTED IN A NEAT WORKMANLIKE MANNER.



NO.	REVISIONS	DATE	DESIGN	CHECK
00	ISSUED FOR TENDER, BID OPP. 545-2012	2012/10/12	DC	KK

<p>SNC-LAVALIN INC. 148 Nature Park Way Winnipeg, MB, Canada R3P 0X7 204-798-8080</p>		ENGINEER'S SEAL ORIGINAL DRAWING SEALED BY: R. A. COATES SNC-LAVALIN MEMBER #3015 2012/10/17 REV. 00
DESIGNED BY: D. COATES DRAWN BY: M. TUGADE SCALE: N.T.S. DATE: 2012/09/05	CHECKED BY: K. KOTYK APPROVED BY: C. REIMER RELEASED FOR CONSTRUCTION BY: N. HARRINGTON DATE: 2012/09/10	CONSULTANT NO.: 112577-0000-42DD-0006

THE CITY OF WINNIPEG
WATER AND WASTE DEPARTMENT

SOUTH END WATER POLLUTION CONTROL CENTRE
VENTILATION UPGRADES
PLAN AND SECTIONS
TYPICAL HOUSEKEEPING PAD

CITY DRAWING NUMBER	SHEET	REV.	SIZE
1-0102A-S0001	001	00	A1