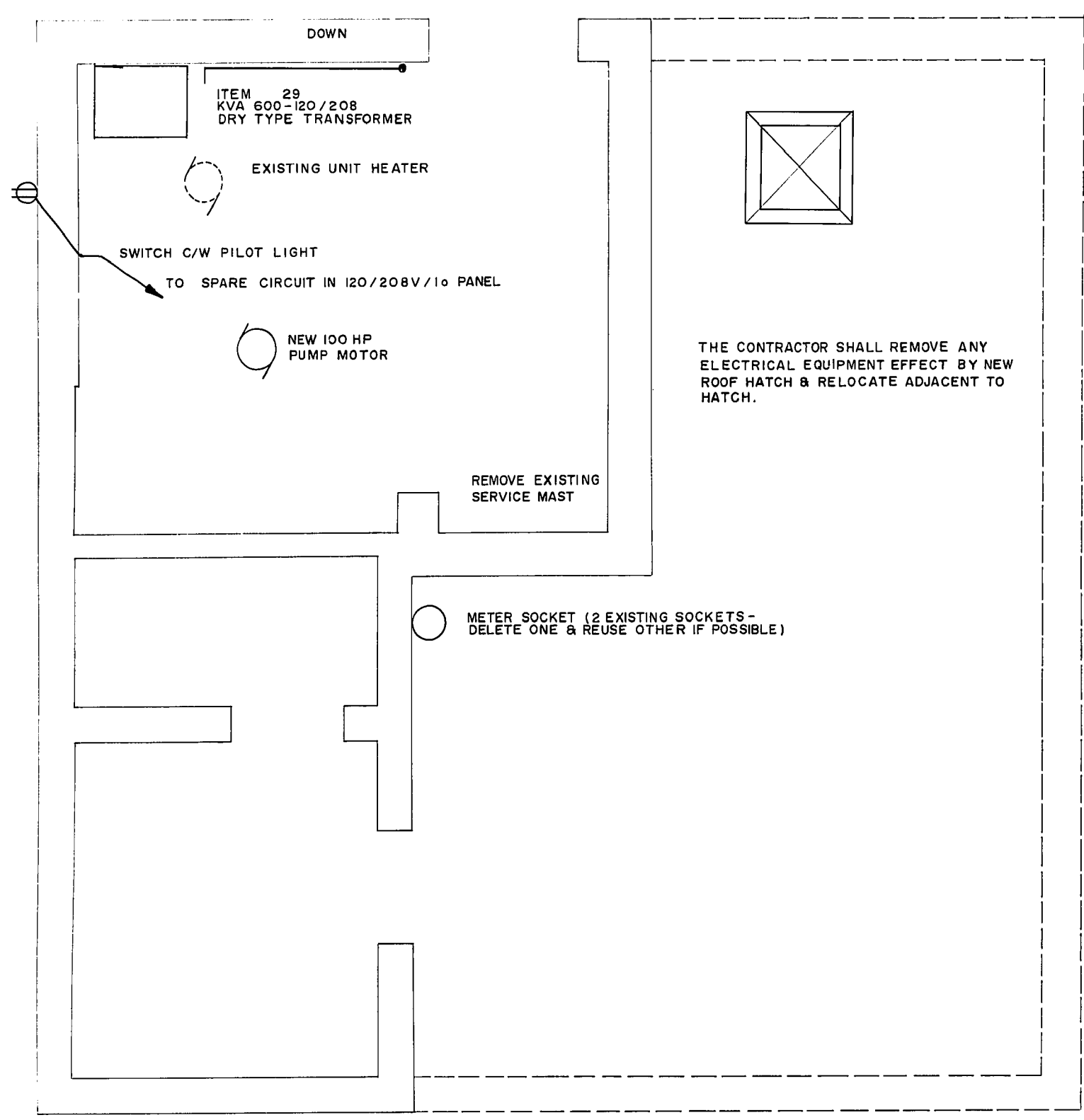
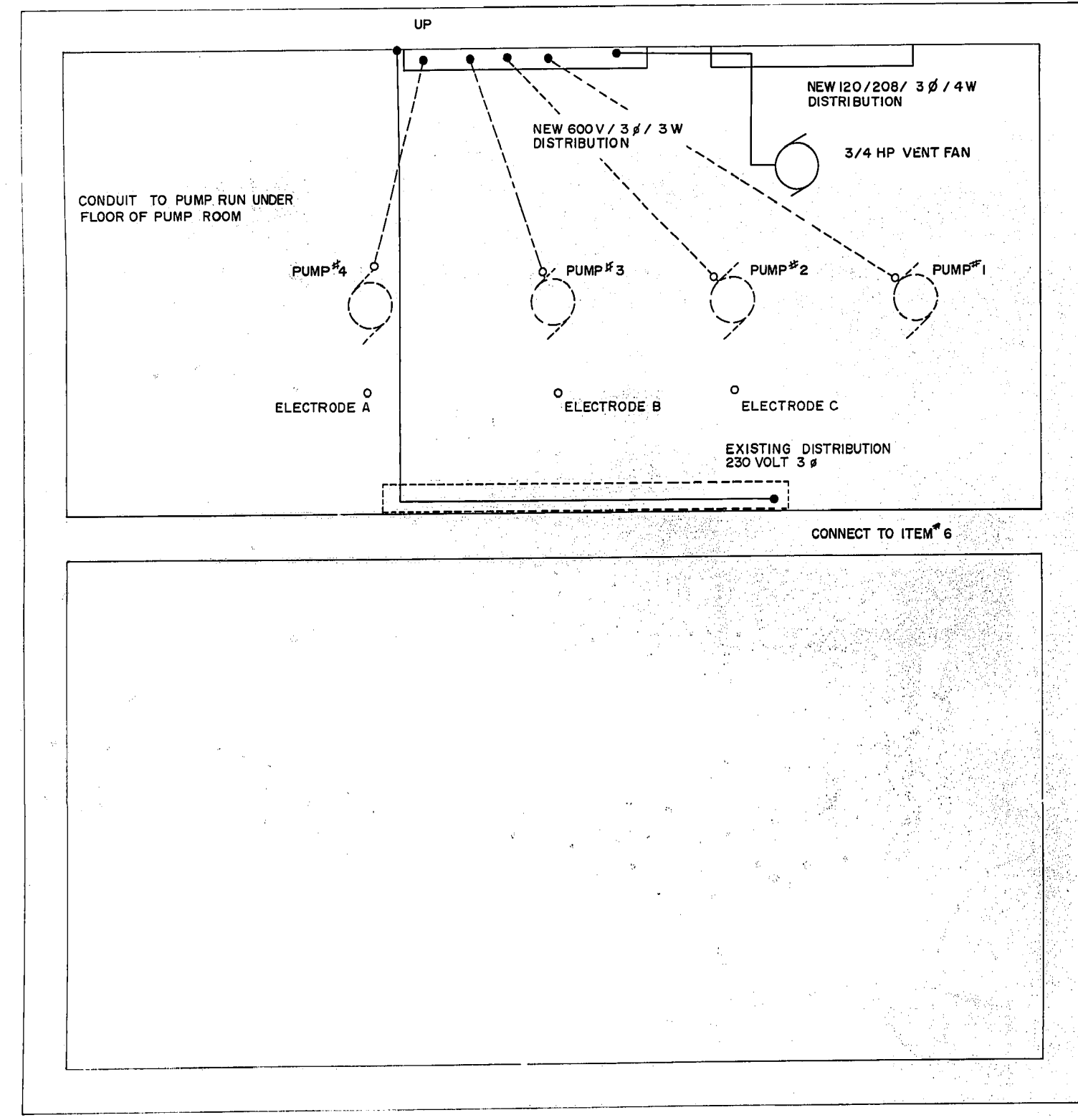


file # SP 10289

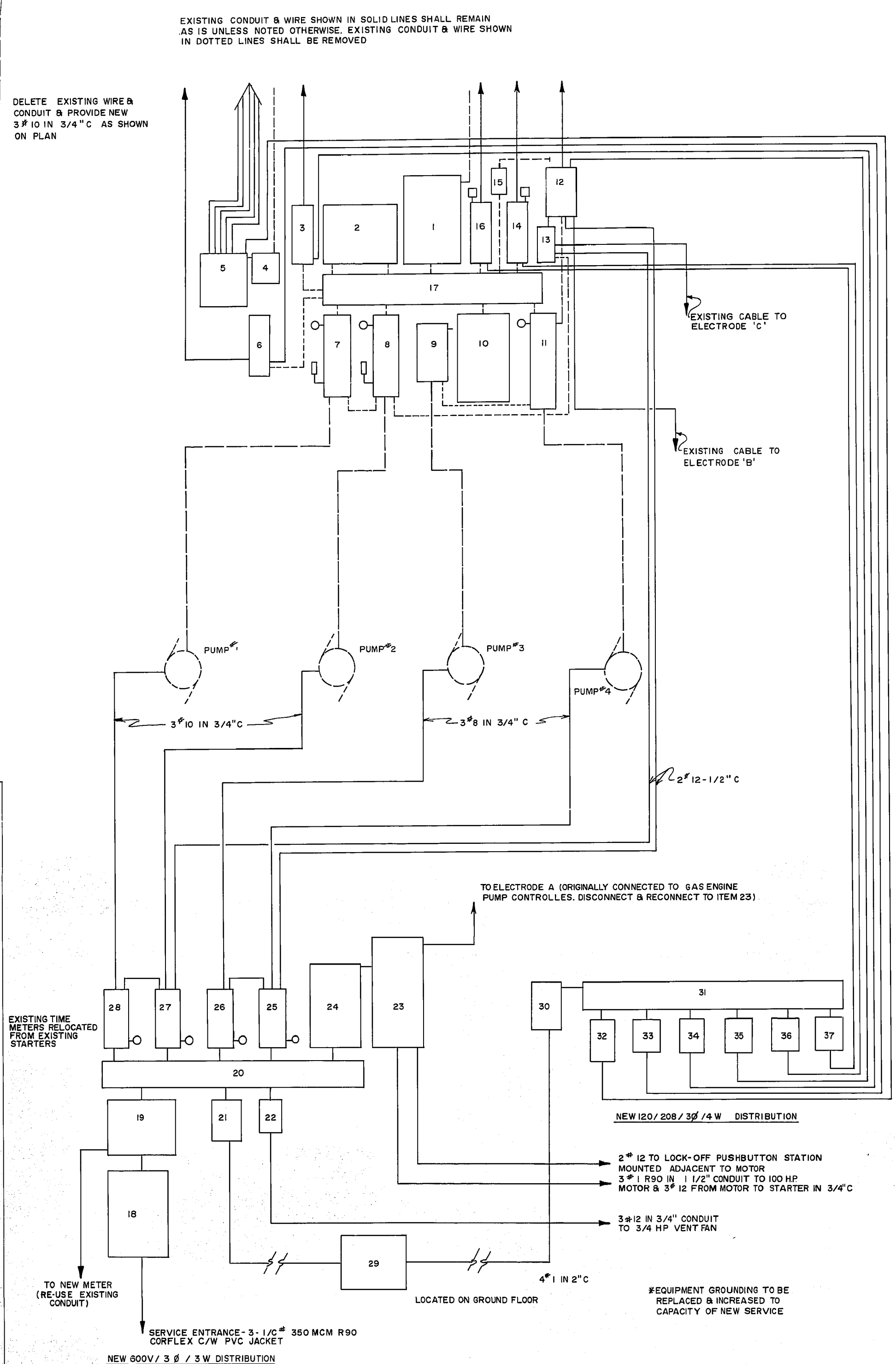
REF. or DRAWING No. 1113a
DETAILS



GROUND FLOOR PLAN
3/8" = 1'-0"



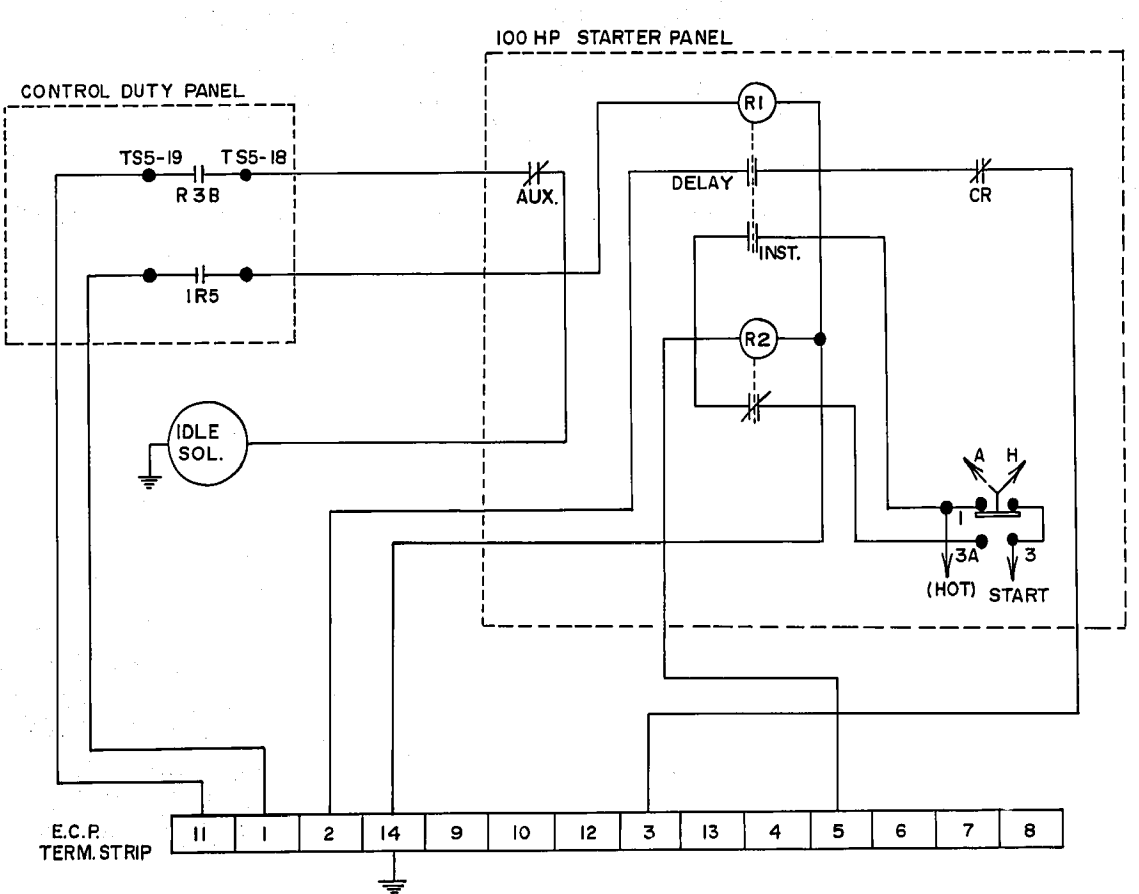
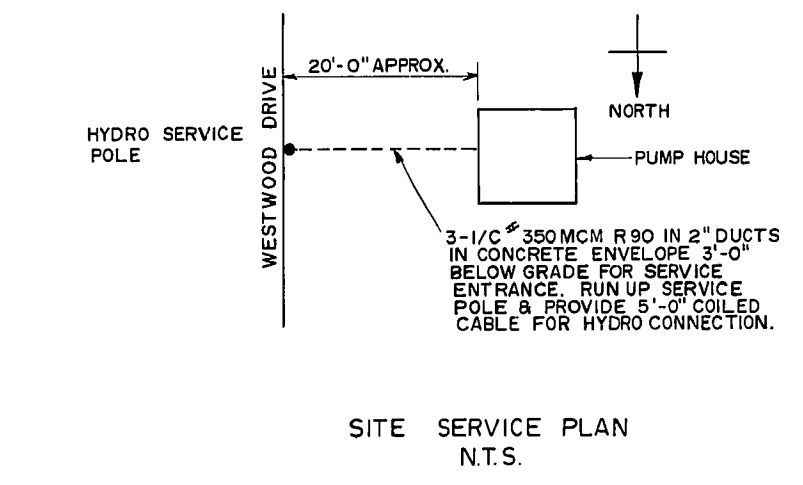
PUMP MOTOR LEVEL PLAN
3/8" = 1'-0"



EQUIPMENT SCHEDULE

ITEM	DESCRIPTION
1	EXISTING 400 AMP SWITCH - REMOVE
2	EXISTING CT CABINET - REMOVE
3	EXISTING COMBINATOR MOTOR STARTER 1 1/2 HP 230 VOLT - RECONNECT TO ITEM #34
4	EXISTING 115/230 VOLT FUSIBLE DISCONNECT - REMOVE
5	EXISTING 115/230 VOLT PANEL - RECONNECT TO ITEM #32
6	EXISTING CONTACTOR FOR 5KW UNIT HEATER - RECONNECT TO ITEM #33
7	EXISTING COMBINATION STARTER FOR PUMP #1 - REMOVE
8	EXISTING COMBINATION STARTER FOR PUMP #2 - REMOVE
9	EXISTING STARTER FOR PUMP #3 - REMOVE
10	EXISTING FUSE DISCONNECT FOR PUMP #4 - REMOVE
11	EXISTING COMBINATION STARTER PUMP #4 - REMOVE
12	EXISTING PUMP CONTROLLER FOR PUMPS # 4 & 4 - RECONNECT TO ITEMS 35, 25 & 26
13	EXISTING PUMP CONTROLLER FOR PUMPS 1 & 2 - RECONNECT TO ITEMS 27 & 28
14	EXISTING CONTACTOR FOR 4 KW 230V/17 DUCT HEATER - RECONNECT TO ITEM 36
15	EXISTING CONTACTOR - REMOVE
16	EXISTING CONTACTOR FOR 10 KW 230V/30 UNIT HEATER - RECONNECT TO ITEM 37
17	EXISTING 230 VOLT SPLITTER - REMOVE
18	NEW 600 AMP 600 VOLT 3 PHASE FUSIBLE DISCONNECT FUSED 500 AMPS
19	NEW CT CABINET - REMOVE METER
20	NEW 600 AMP 600 VOLT 3 PHASE 3 WIRE SPLITTER
21	NEW 60 AMP 600 VOLT 3 PHASE 3 WIRE FUSIBLE DISCONNECT FUSED 60 AMPS
22	NEW SIZE 1 COMBINATION STARTER FOR 3/4HP VENT, MOTOR - 600 VOLT 3 PHASE
23	NEW SIZE 4 AUTOTRANSFORMER STARTER FOR 100HP PUMP - 600 VOLT 3 PHASE
24	NEW FUSIBLE DISCONNECT FOR NEW 100HP PUMP 600 VOLT 3 PHASE FUSED 150 AMP
25	NEW SIZE 2 COMBINATION STARTER FOR PUMP #4 25HP 600 VOLT 3 PHASE
26	NEW SIZE 2 COMBINATION STARTER FOR PUMP #3 25HP 600 VOLT 3 PHASE
27	NEW SIZE 2 COMBINATION STARTER FOR PUMP #2 15HP 600 VOLT 3 PHASE
28	NEW SIZE 2 COMBINATION STARTER FOR PUMP #1 15HP 600 VOLT 3 PHASE
29	NEW 45 KVA 600-120/208/30/4K DRY TYPE TRANSFORMER
30	NEW 200 AMP 208 VOLT 3 PHASE 4 WIRE FUSIBLE DISCONNECT FUSED 125 AMPS
31	NEW 125 AMP 120/208 VOLT 3 PHASE 4 WIRE SPLITTER THROUGH
32	NEW 60 AMP 120/208 VOLT SINGLE PHASE 3 WIRE FUSIBLE DISCONNECT FOR ITEM #5 FUSED 60 AMPS
33	NEW 30 AMP 208 VOLT SINGLE PHASE FUSIBLE DISCONNECT FOR ITEM #6 FUSED 30 AMPS
34	NEW 30 AMP 208 VOLT 3 PHASE FUSIBLE DISCONNECT FOR ITEM #3 FUSED 15 AMPS
35	NEW 30 AMP 208 VOLT SINGLE PHASE FUSIBLE DISCONNECT FOR ITEM #12 FUSED 15 AMPS
36	NEW 30 AMP 208 VOLT SINGLE PHASE FUSIBLE DISCONNECT FOR ITEM #14 FUSED 30 AMPS
37	NEW 30 AMP 208 VOLT 3 PHASE FUSIBLE DISCONNECT FOR ITEM #16 FUSED 30 AMPS

* 4 N.O., + 4 N.C. AUXILIARY CONTACTS



B.M. ELEV.	DESIGNED BY UMA GROUP	CHECKED BY B. ROBINSON	ENGINEER'S SEAL	THE CITY OF WINNIPEG WORKS AND OPERATIONS DIVISION	CITY DRAWING NUMBER
	DRAWN BY M. DAHL	APPROVED BY			
	HOR SCALE VERTICAL	RELEASED FOR CONSTRUCTION	CONSULTANT DRAWING NO. 01-0265-112-01		
1 REDRAWN	01/85 MD	DATE JAN, 1985			1113a
NO REVISIONS					file # SP 10289