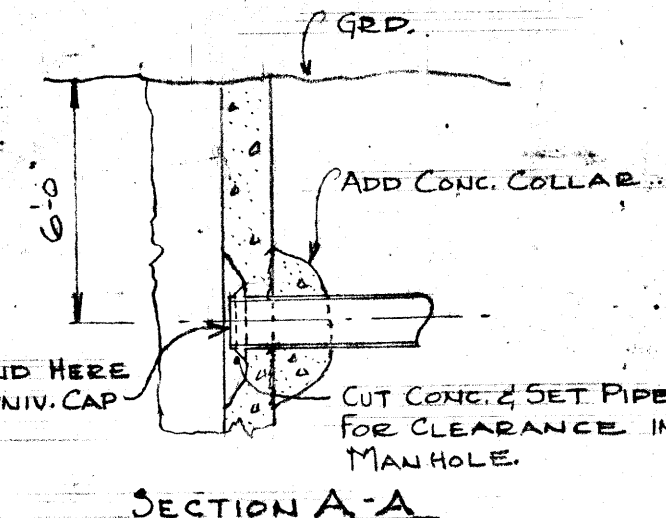
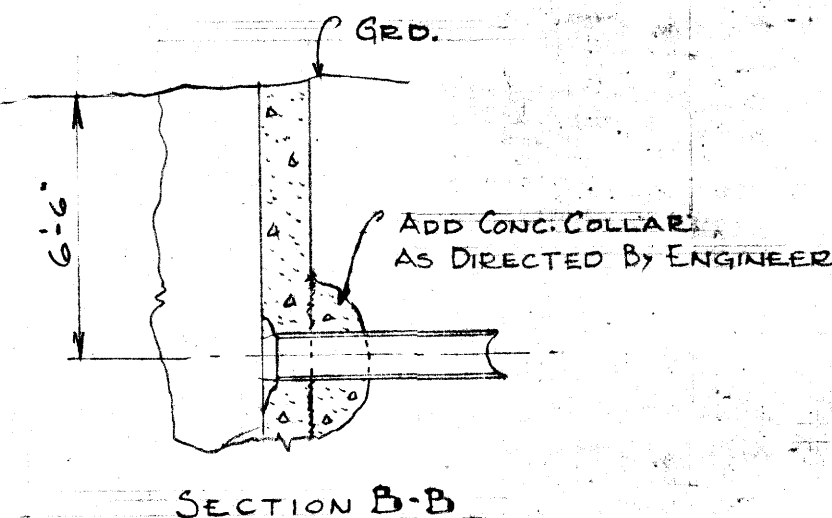


file #
FP10292



Mk.	No. REQ'D.	DESCRIPTION	LGTH.	REMARKS.
x	18	NUTS & BOLTS		REQUISITION.
x	e	1 12" φ - C.I. UNIV. CAP		REQUISITION
	d	1 12" φ - C.I. UNIV. PIPE x	4	REQUISITION
	c	1 12" φ - 90° BEND - UNIV.		REQUISITION.
	b	1 12" φ - 45° BEND - UNIV.		FROM STOCK
	a	6 12" φ C.I. UNIV. PIPE x	6'	FROM STOCK.

GREATER WINNIPEG SANITARY DISTRICT

DRAWN W.R.H.	DATE 12/5/52	TITLE:
TRACED	CHECKED	AIR VENT FROM SUMP AT AUBREY ST. PUMP STATION.
APPROVED <i>[Signature]</i>	SUPT.	
<i>[Signature]</i>	GEN. MGR.	
SCALE NOTED	DWG. NO. M 186	