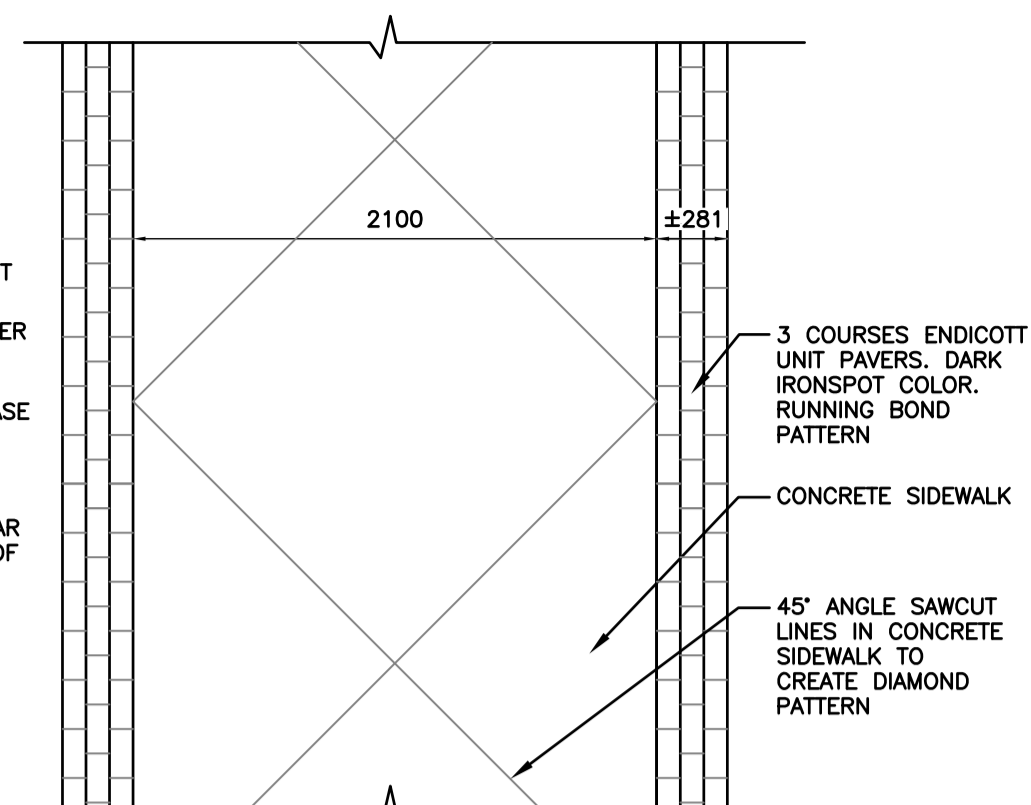
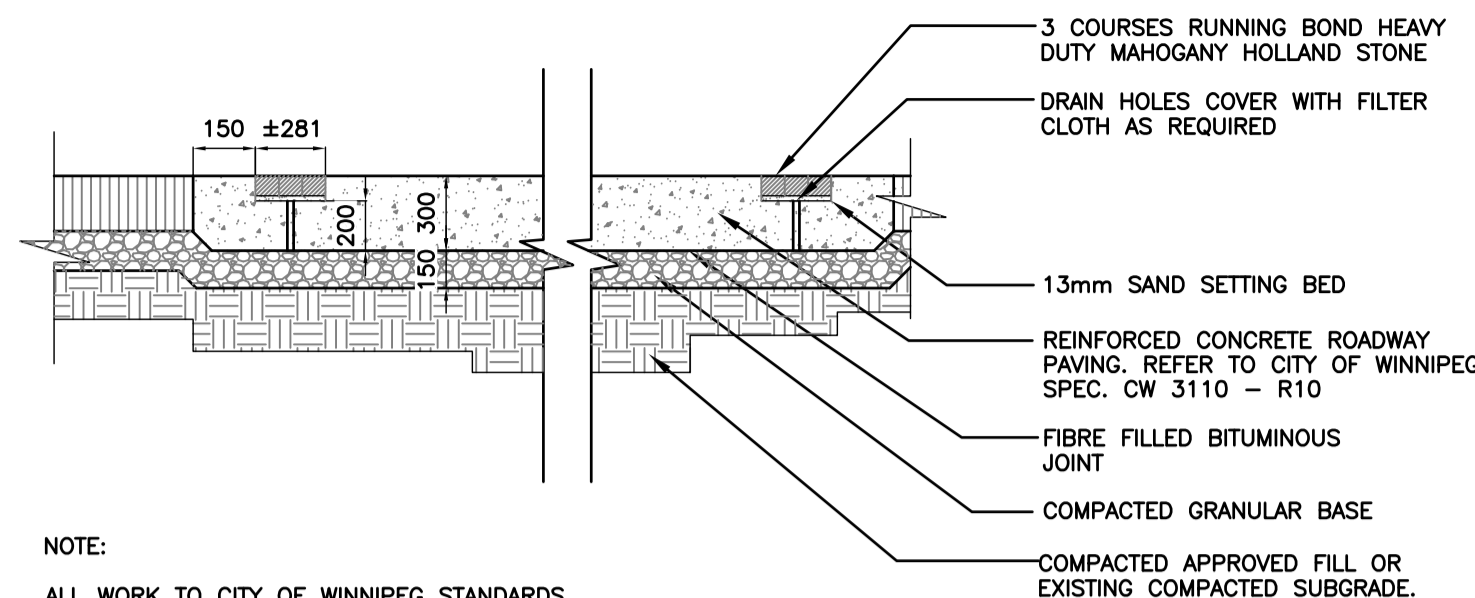


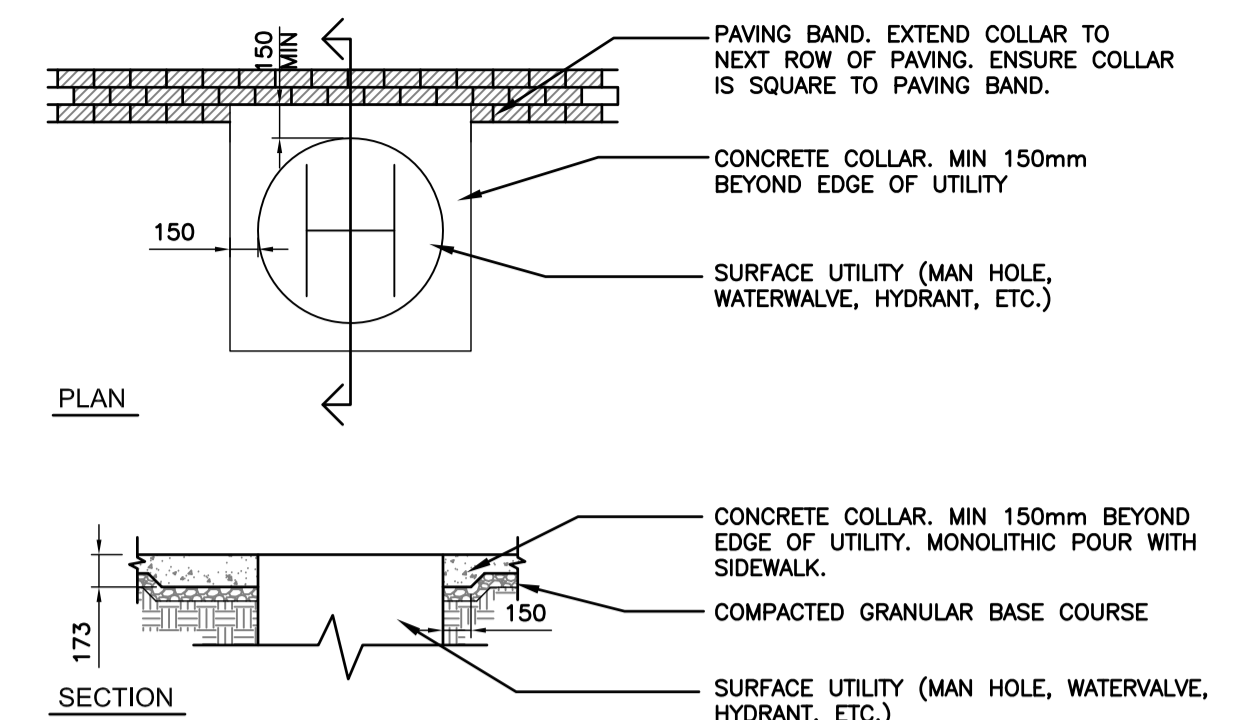
1 CONCRETE SIDEWALK WITH UNIT PAVER INSERT
9 | 8 NTS



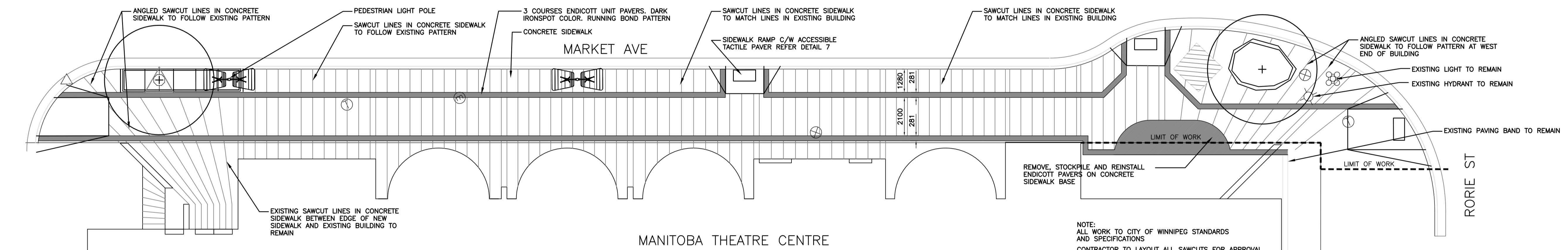
2 TYPICAL PAVING PATTERN
9 | 8 NTS



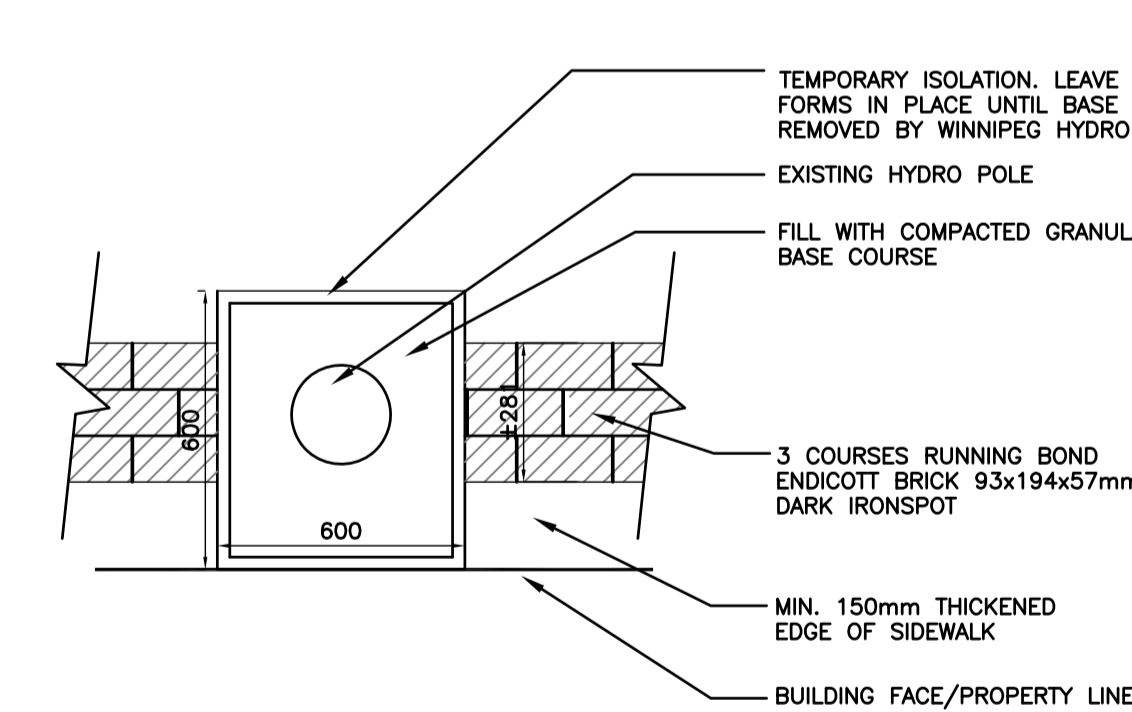
3 PEDESTRIAN CROSSWALK
9 | 8 NTS



4 TYPICAL COLLAR FOR SURFACE UTILITIES
9 | 8 NTS

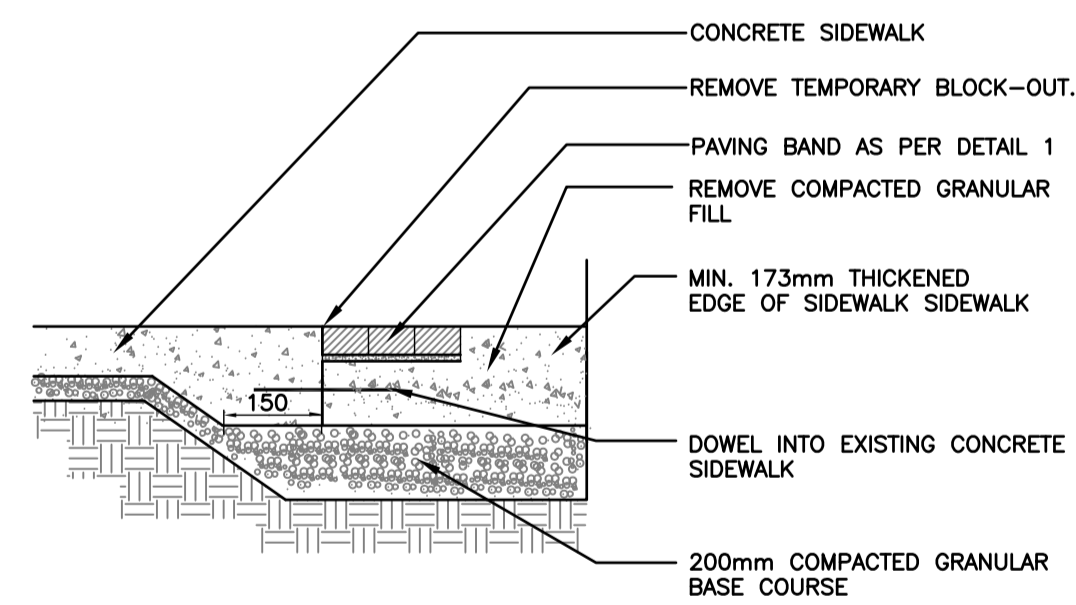


5 PAVING PATTERN AT MTC - NORTH SIDE
9 | 8 NTS

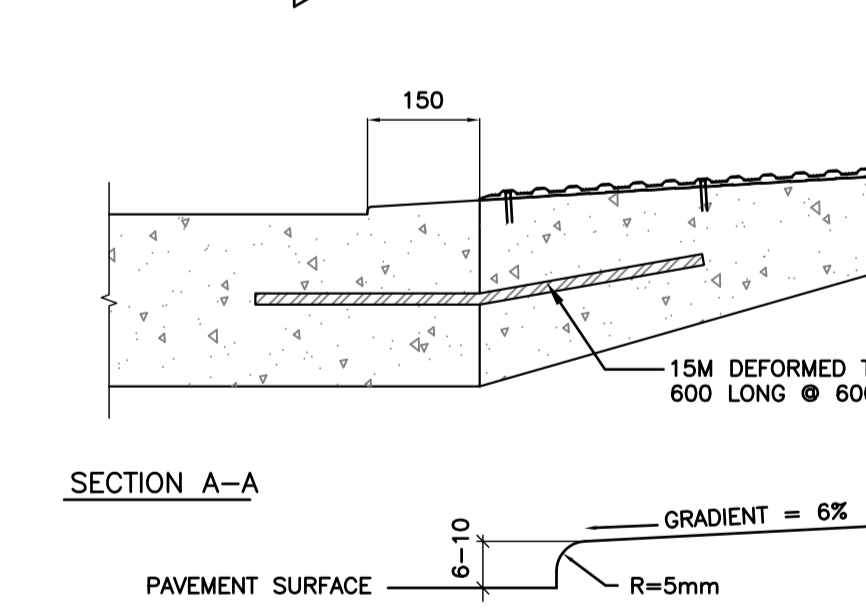
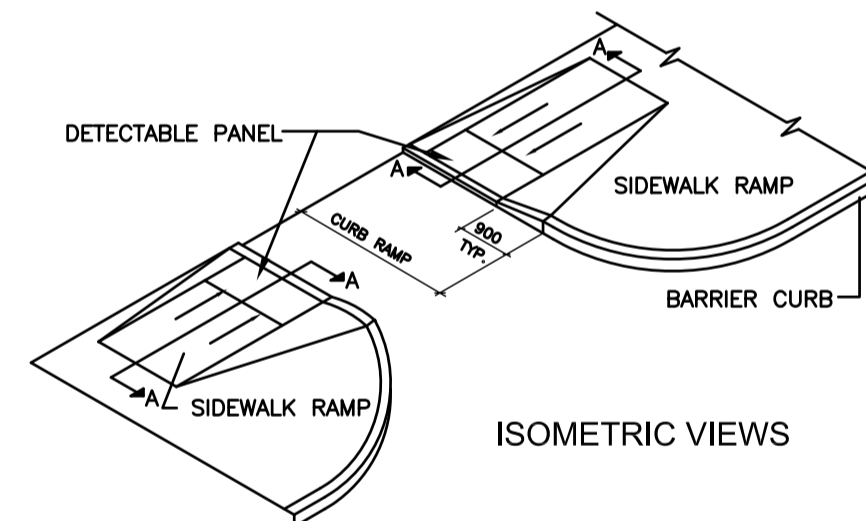


TEMPORARY BLOCK-OUT

6 PAVING ISOLATION AT LIGHT LOCATIONS
9 | 8 NTS



REPAIR OF TEMPORARY BLOCK-OUT



7 SIDEWALK RAMPS
9 | 8 NTS

- NOTES**
- SIDEWALK RAMP SURFACE SHALL BE AS INDICATED ON PLAN DRAWINGS
 - 15M TIE BARS SHALL BE PLACED PRIOR TO THE PLACING OF ANY CONCRETE SIDEWALK TIE BARS SHALL BE BENT AS REQUIRED AND PLACED SO AS TO ENSURE A MINIMUM CONCRETE COVER OF 40MM
 - 15M TIE BARS SHALL BE DEFORMED AND CONFORM TO CSA STANDARD G30.12 GRADE 300, UNLESS THE BARS ARE TO BE BENT AND LATER STRAIGHTENED IN THE FIELD. IN WHICH CASE THEY SHALL CONFORM TO ASTM A307 GRADE A BOLT STEEL (227.53 MPa YIELD STRESS)
 - MAXIMUM SLOPE OF FLARED SIDES SHALL BE 1:10 REFER TO CSA B651, ARTICLE 4.4.4.2

CONTRACTOR TO SUPPLY SHOP DRAWINGS STAMPED BY A STRUCTURAL ENGINEER LICENSED TO PRACTICE IN THE PROVINCE OF MANITOBA WITH EXTENSIVE EXPERIENCE IN THE DESIGN & MANUFACTURING OF ALUMINIUM SITE FURNITURE. SHOP DRAWINGS TO INCLUDE WALL THICKNESSES, MATERIALS ETC. AS LISTED IN THE SPECIFICATIONS.

ALL DIMENSIONS PROVIDED FOR INFORMATION ON DESIGN INTENT.



LOCATION APPROVED UNDERGROUND STRUCTURES		B.M. ELEV.
SUPV. U/G STRUCTURES COMMITTEE	DATE	
NOTE: LOCATION OF UNDERGROUND STRUCTURES AS SHOWN ARE BASED ON THE BEST INFORMATION AVAILABLE BUT NO GUARANTEE IS GIVEN THAT ALL EXISTING UTILITIES ARE SHOWN OR THAT THE GIVEN LOCATIONS ARE EXACT. CONFIRMATION OF EXISTENCE AND EXACT LOCATION OF ALL SERVICES MUST BE OBTAINED FROM THE INDIVIDUAL UTILITIES BEFORE PROCEEDING WITH CONSTRUCTION.		
1	ISSUED FOR TENDER	12.07.03 AH
0	ISSUED FOR U/S REVIEW	12.06.26 AH
	NO. REVISIONS	DATE BY

Stantec Consulting Ltd.		ENGINEER'S SEAL	
905 Waverley Street, Winnipeg, Manitoba Tel 204-489-5900 Fax 204-453-9012		AARON HIROTA Member No. 107	
DESIGNED BY AH/SR	CHECKED BY AH/SR	CONSULTANT DRAWING NO. L-2	
DRAWN BY SM	APPROVED BY SR	MARKET AVENUE MAIN STREET TO RORIE STREET STREETSCAPE DETAILS 1 OF 3	
HOR. SCALE: NTS	RELEASED FOR CONSTRUCTION:	SHEET 9 OF 12	
VERTICAL: N/A	DATE	CAD FILE DRAWING NUMBER	
DATE 12.06.29		CITY DRAWING NUMBER	

THE CITY OF WINNIPEG
PLANNING, PROPERTY AND DEVELOPMENT DEPARTMENT
PLANNING AND LAND USE DIVISION

Stantec

MARKET AVENUE
MAIN STREET TO RORIE STREET
STREETSCAPE
DETAILS 1 OF 3

P-3336-05