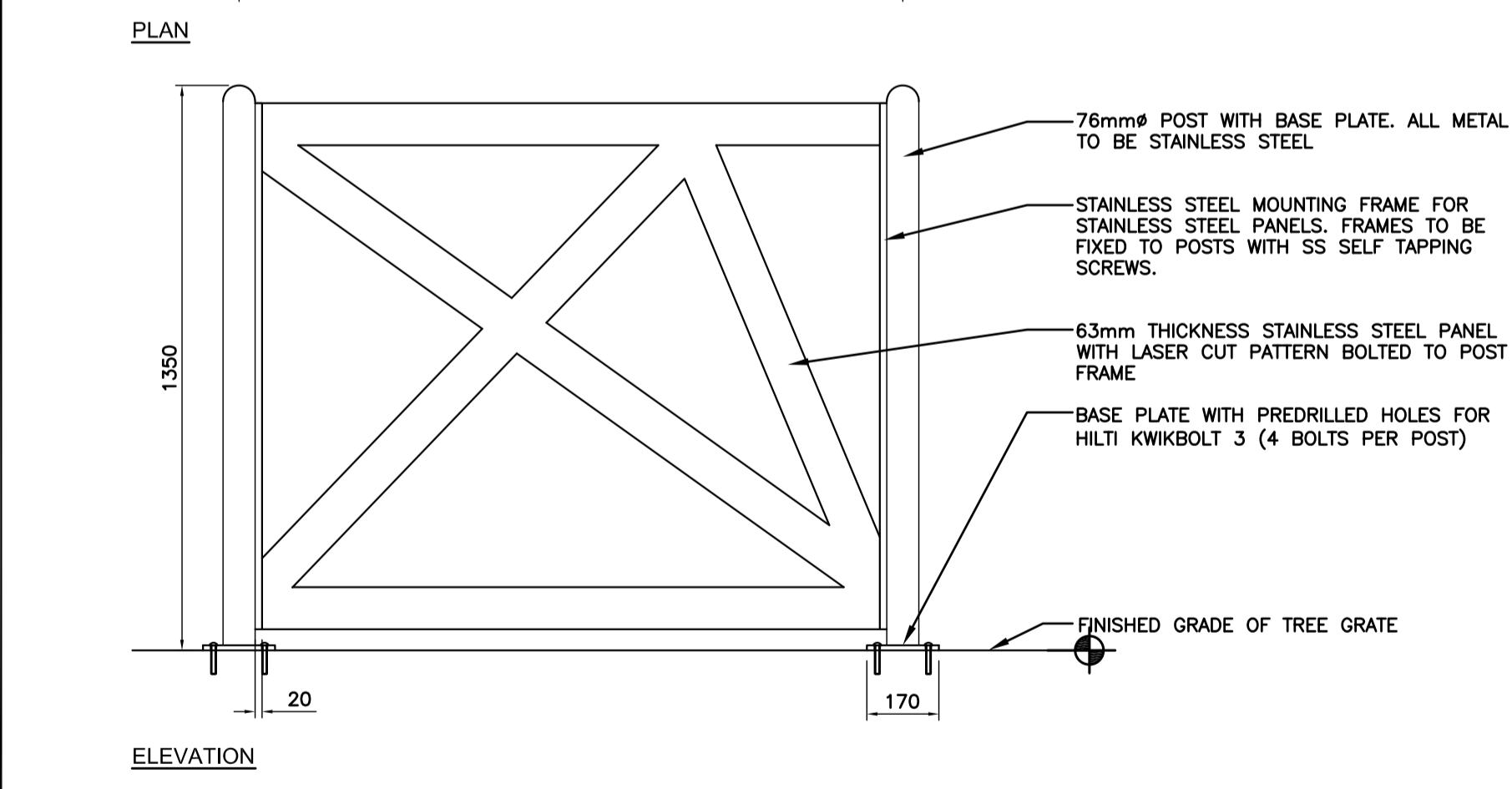
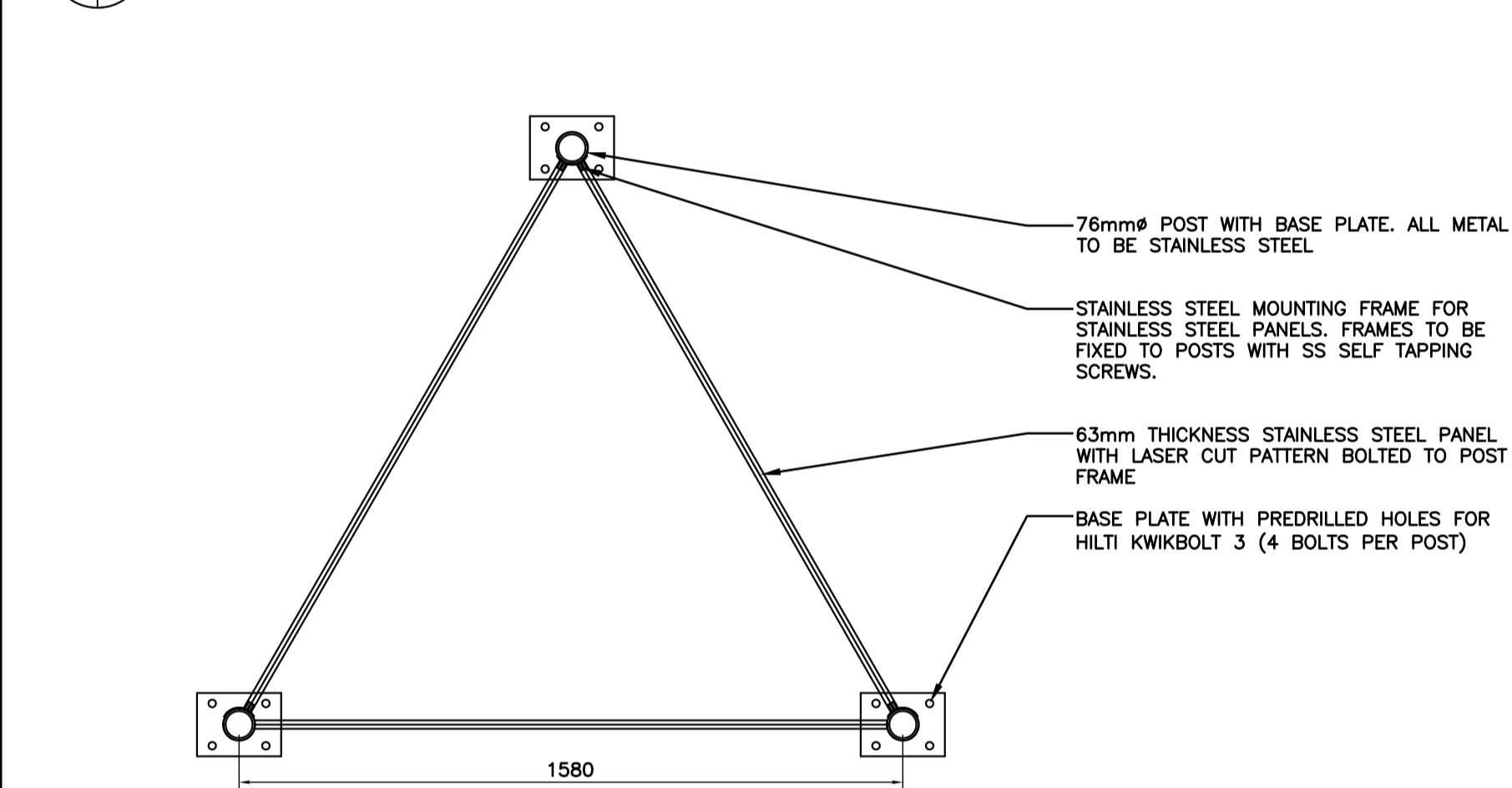


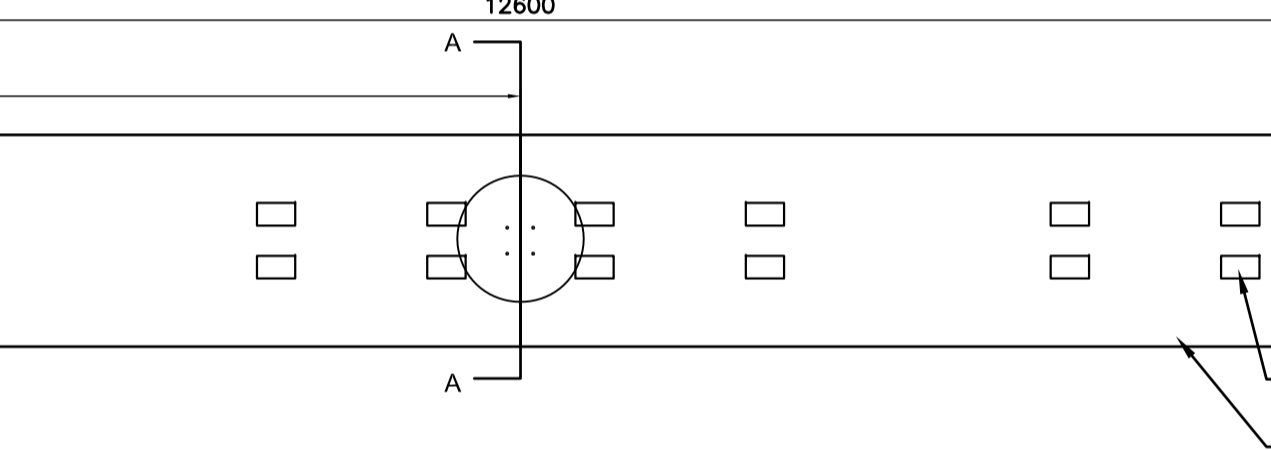
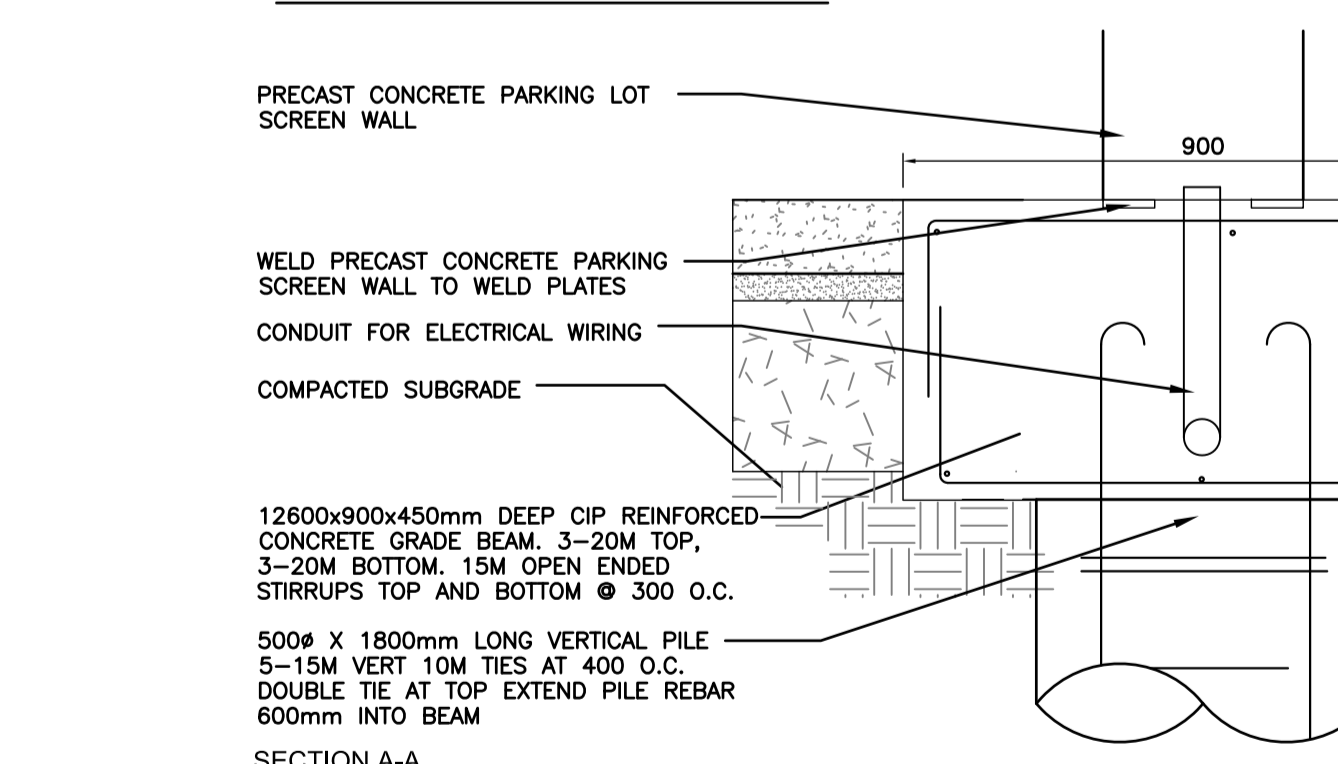
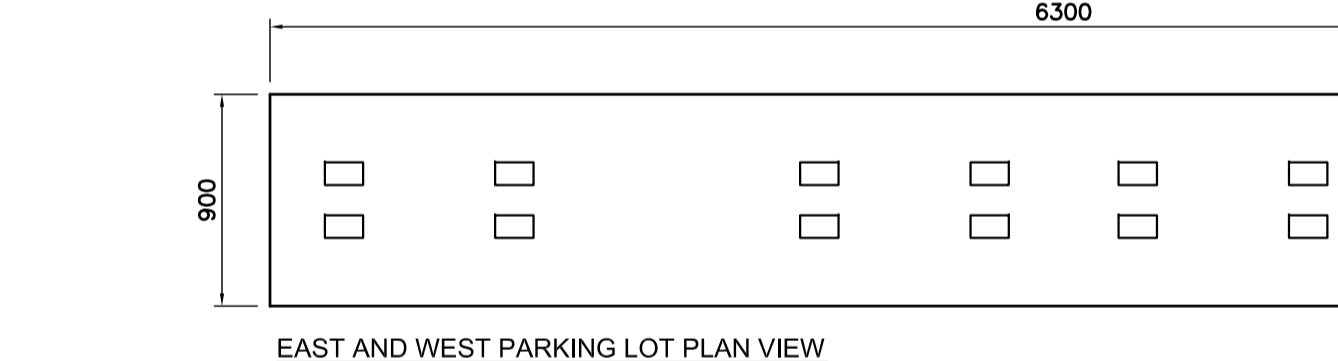
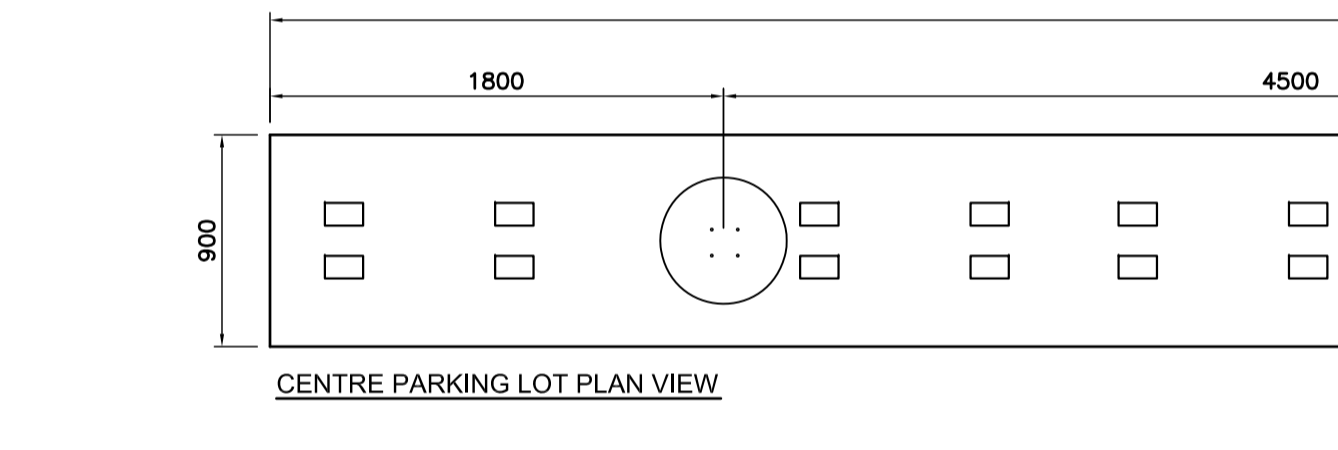
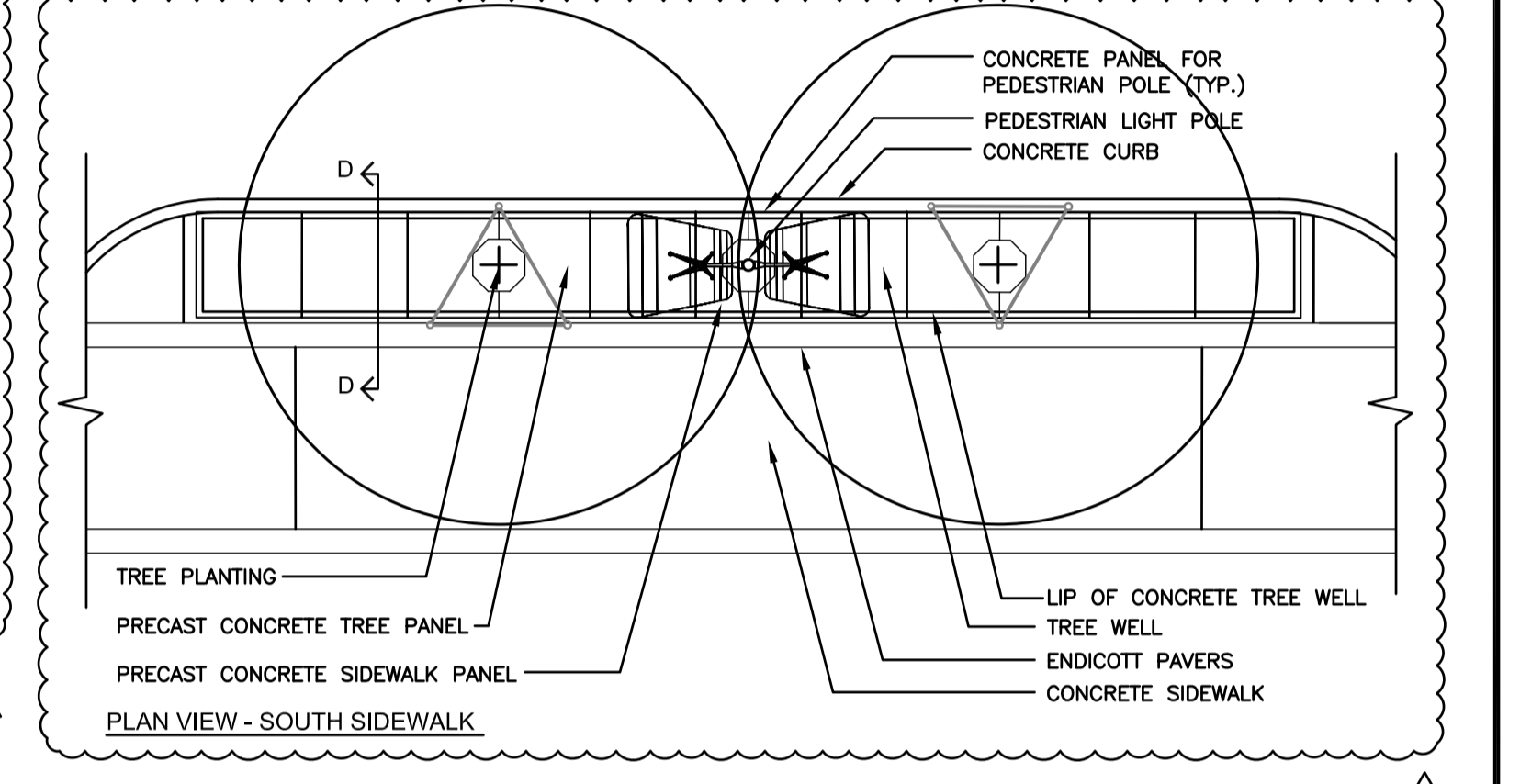
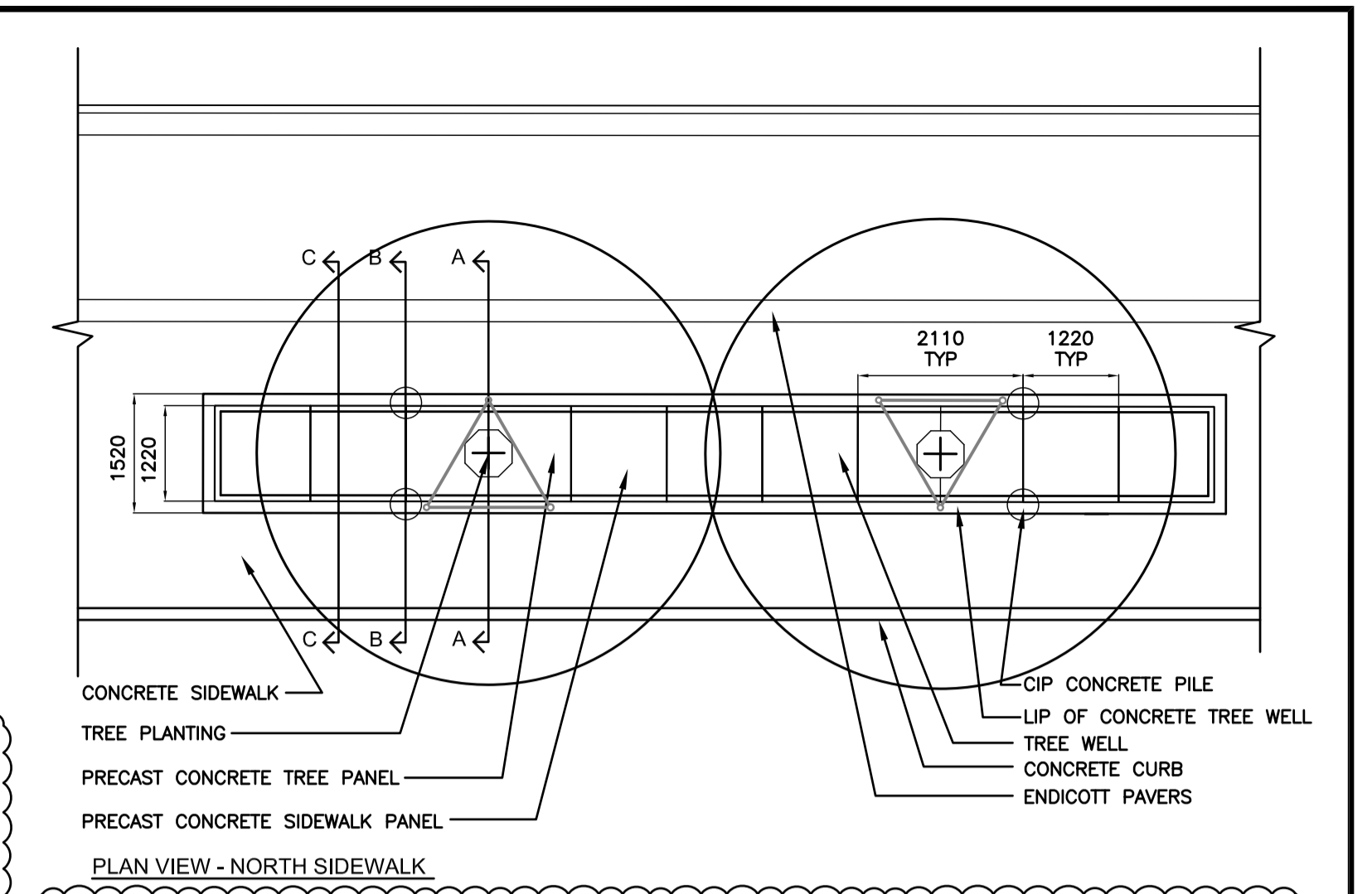
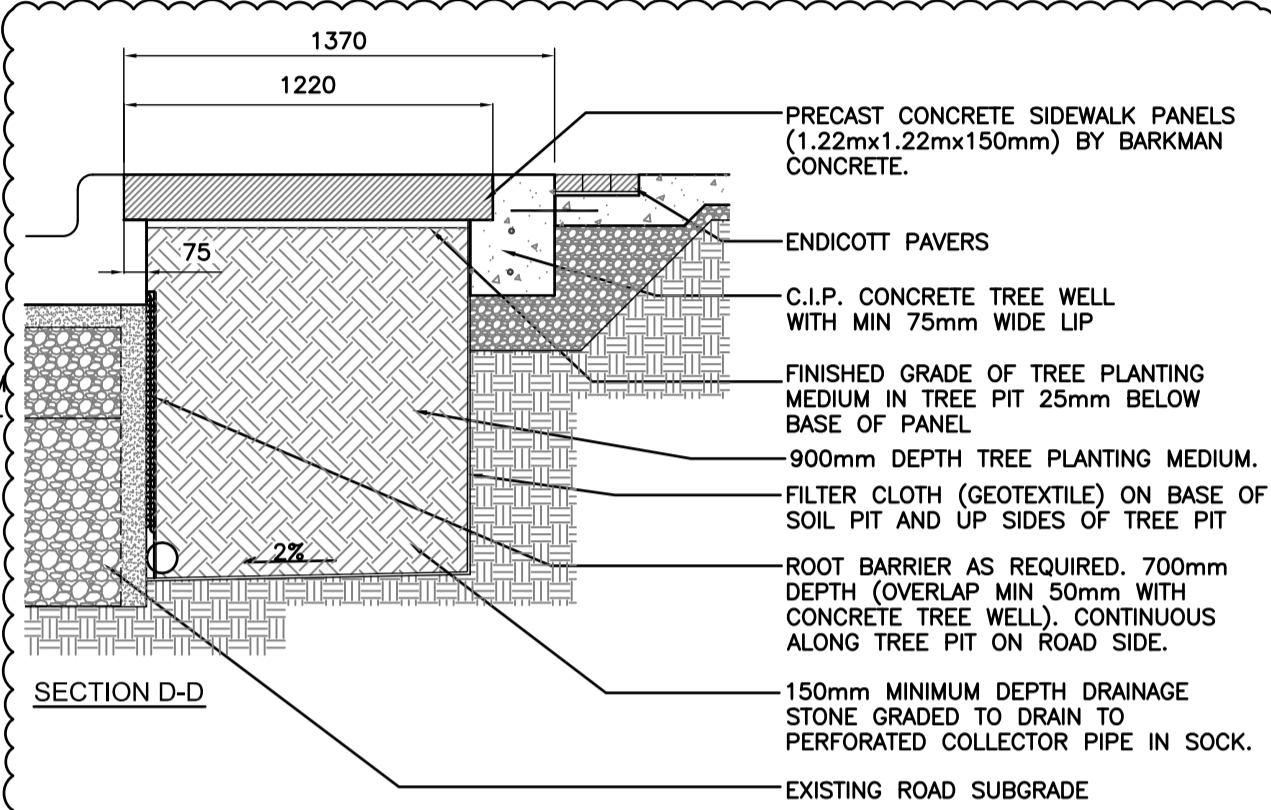
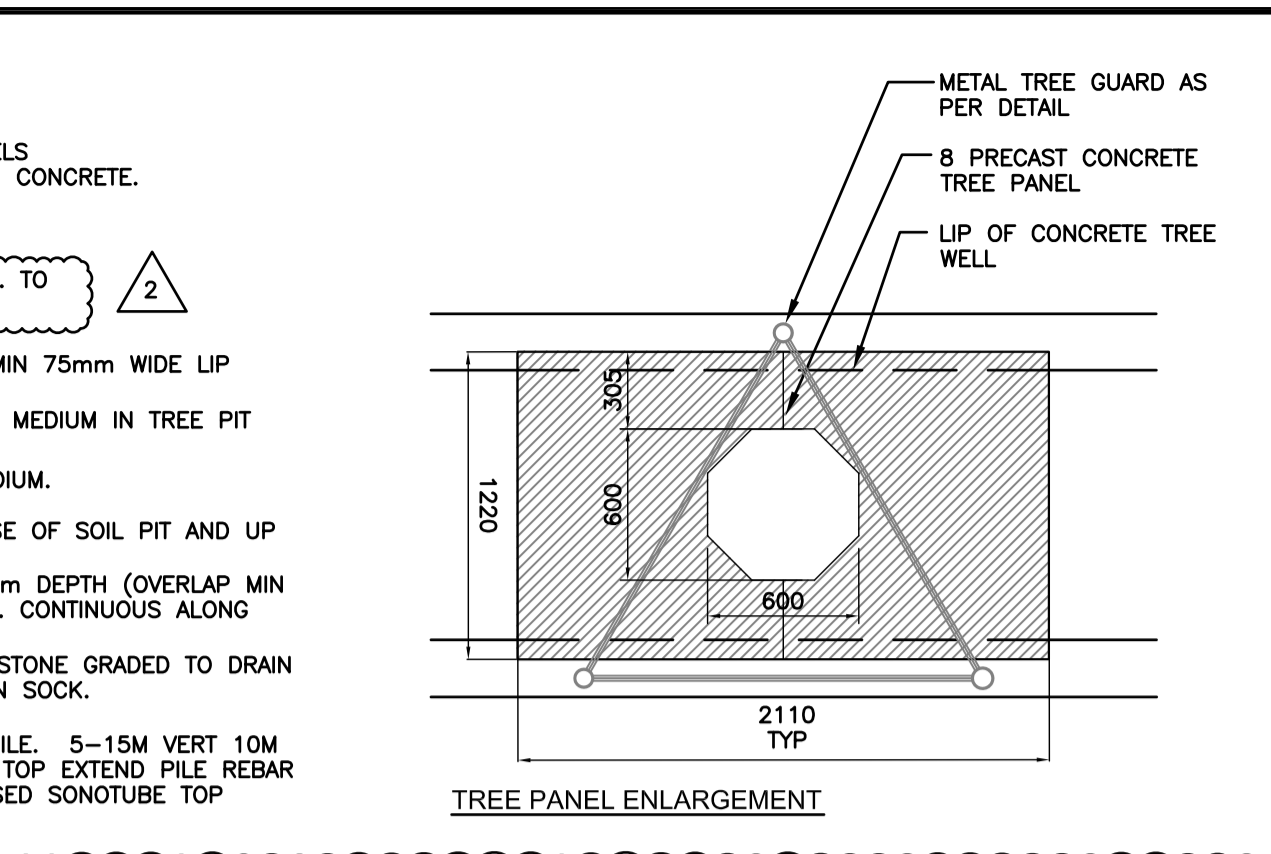
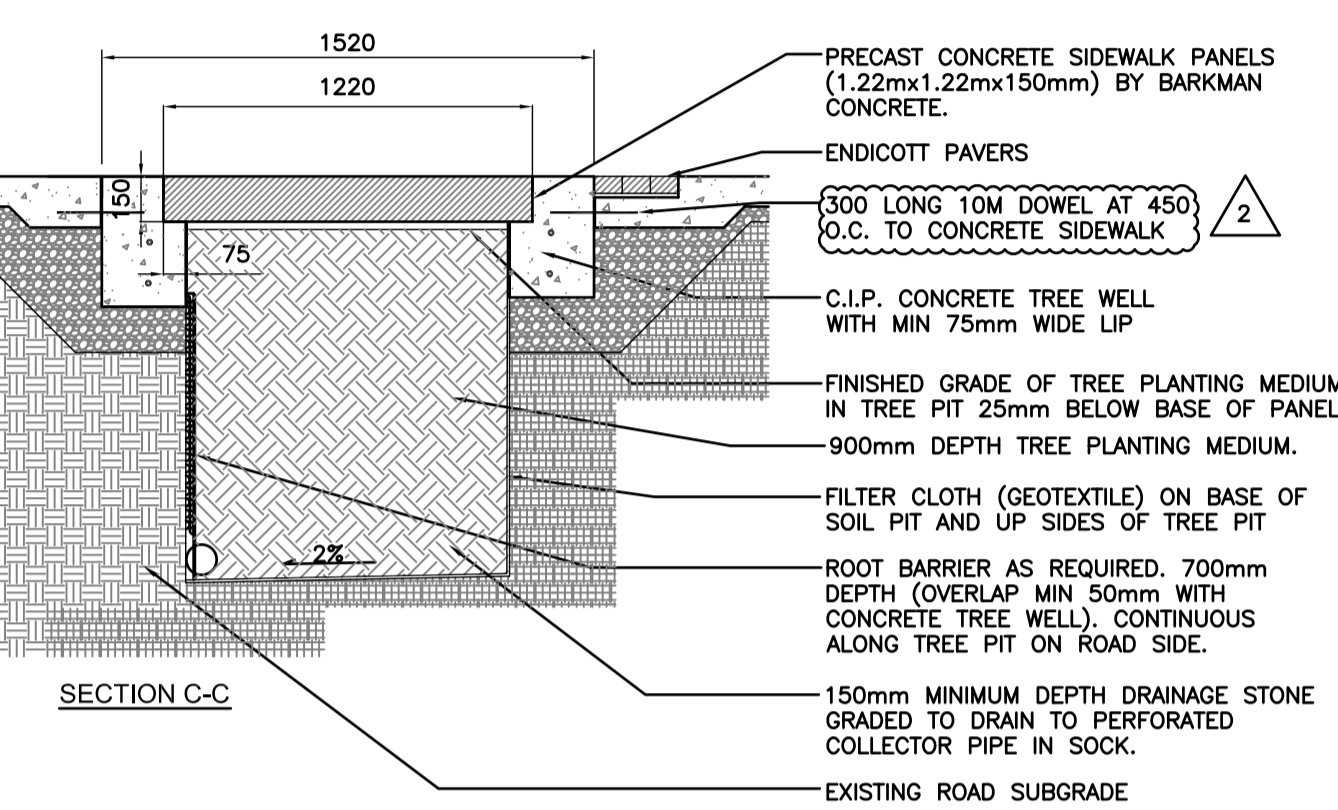
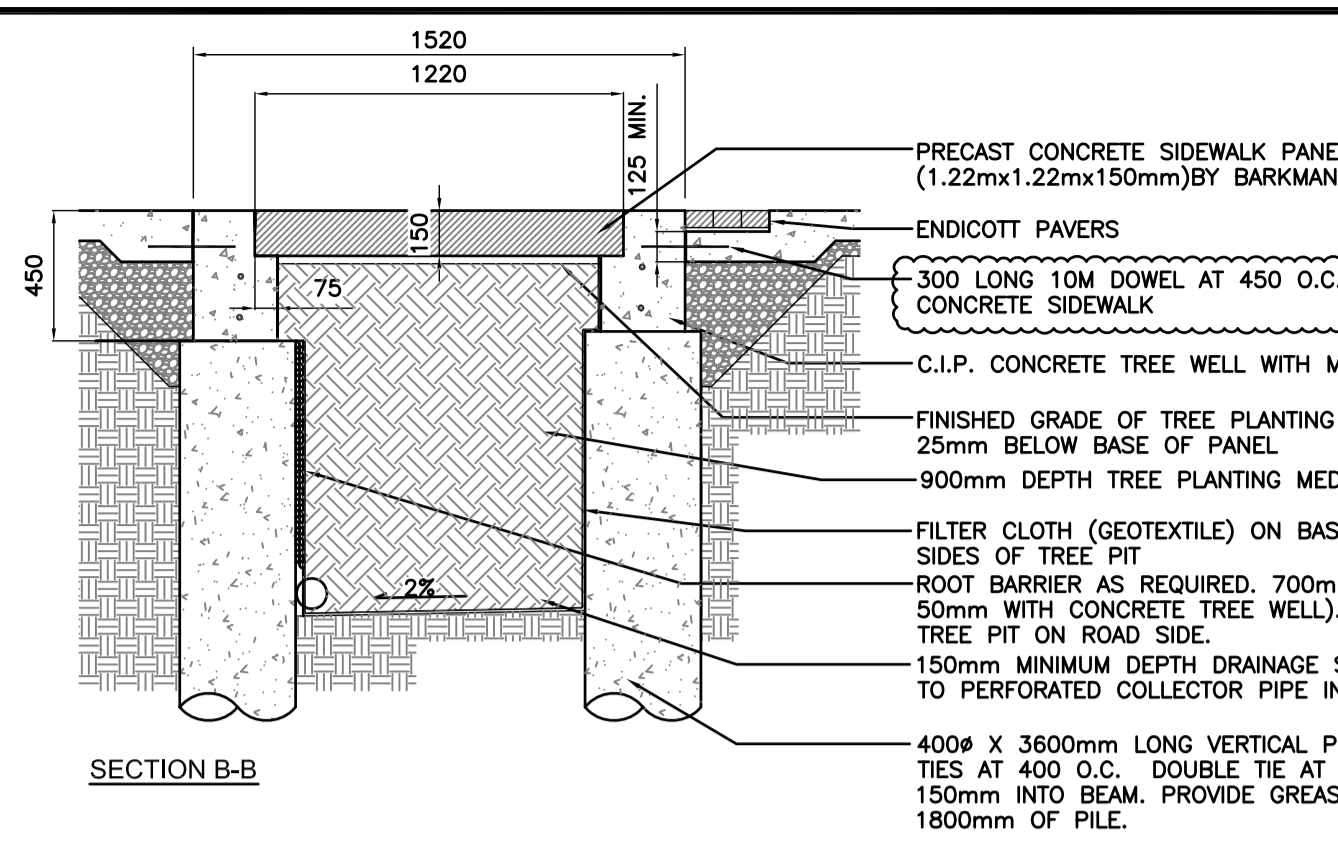
14 TREE VAULTS
11 | 8 NTS



15 METAL TREE GUARD
11 | 8 NTS

CONTACTOR TO SUPPLY SHOP DRAWINGS STAMPED BY A STRUCTURAL ENGINEER LICENSED TO PRACTICE IN THE PROVINCE OF MANITOBA WITH EXTENSIVE EXPERIENCE IN THE DESIGN & MANUFACTURING OF ALUMINIUM SITE FURNITURE. SHOP DRAWINGS TO INCLUDED WALL THICKNESSES, MATERIALS ETC. AS LISTED IN THE SPECIFICATIONS.

ALL DIMENSIONS PROVIDED FOR INFORMATION ON DESIGN INTENT.



16 GRADE BEAM FOR PARKING LOT SCREEN WALL
11 | 8 NTS

LOCATION APPROVED UNDERGROUND STRUCTURES		B.M. ELEV.	
SUPV. U/G STRUCTURES COMMITTEE	DATE		
2	ADDENDUM 1	12.07.11	AH
1	ISSUED FOR TENDER	12.07.03	AH
0	ISSUED FOR U/S REVIEW	12.06.26	AH
NO.	REVISIONS	DATE	BY

Stantec Consulting Ltd.		ENGINEER'S SEAL	
905 Waverley Street, Winnipeg, Manitoba Tel 204-489-5900 Fax 204-453-9012		AARON HIROTA Member No. 107	
DESIGNED BY: AH/SR	CHECKED BY: AH/SR	CONSULTANT DRAWING NO. L-4	
DRAWN BY: SM	APPROVED BY: SR	MARKET AVENUE MAIN STREET TO RORIE STREET STREETSCAPE DETAILS 3 OF 3	
HOR. SCALE: NTS	RELEASED FOR CONSTRUCTION:	SHEET 11 OF 12	
VERTICAL: N/A	DATE: 12.07.03	CAD FILE DRAWING NUMBER	
	DATE	CITY DRAWING NUMBER	
		P-3336-07	

THE CITY OF WINNIPEG
PLANNING, PROPERTY AND DEVELOPMENT DEPARTMENT
PLANNING AND LAND USE DIVISION

MARKET AVENUE
MAIN STREET TO RORIE STREET
STREETSCAPE
DETAILS 3 OF 3

Winnipeg

