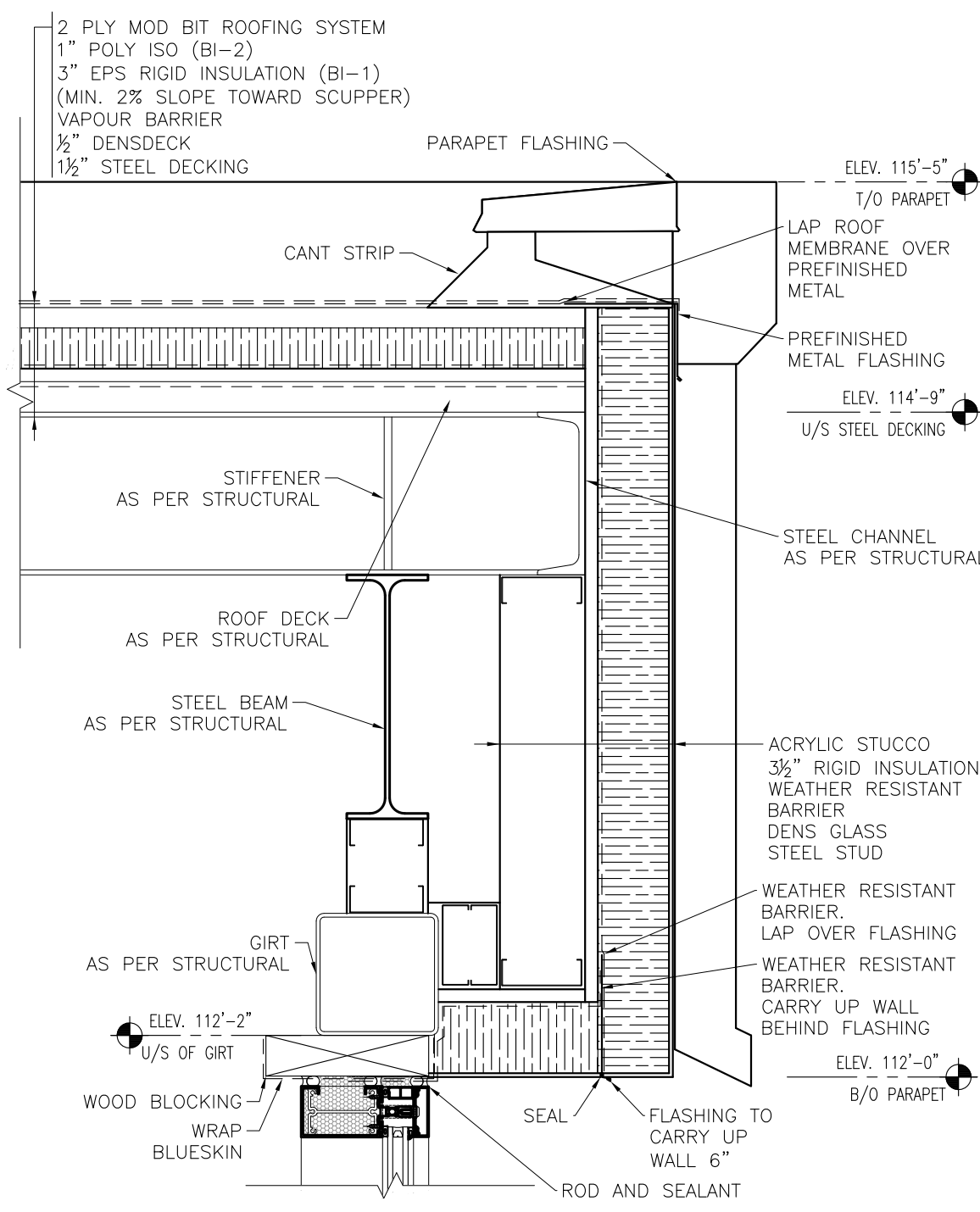
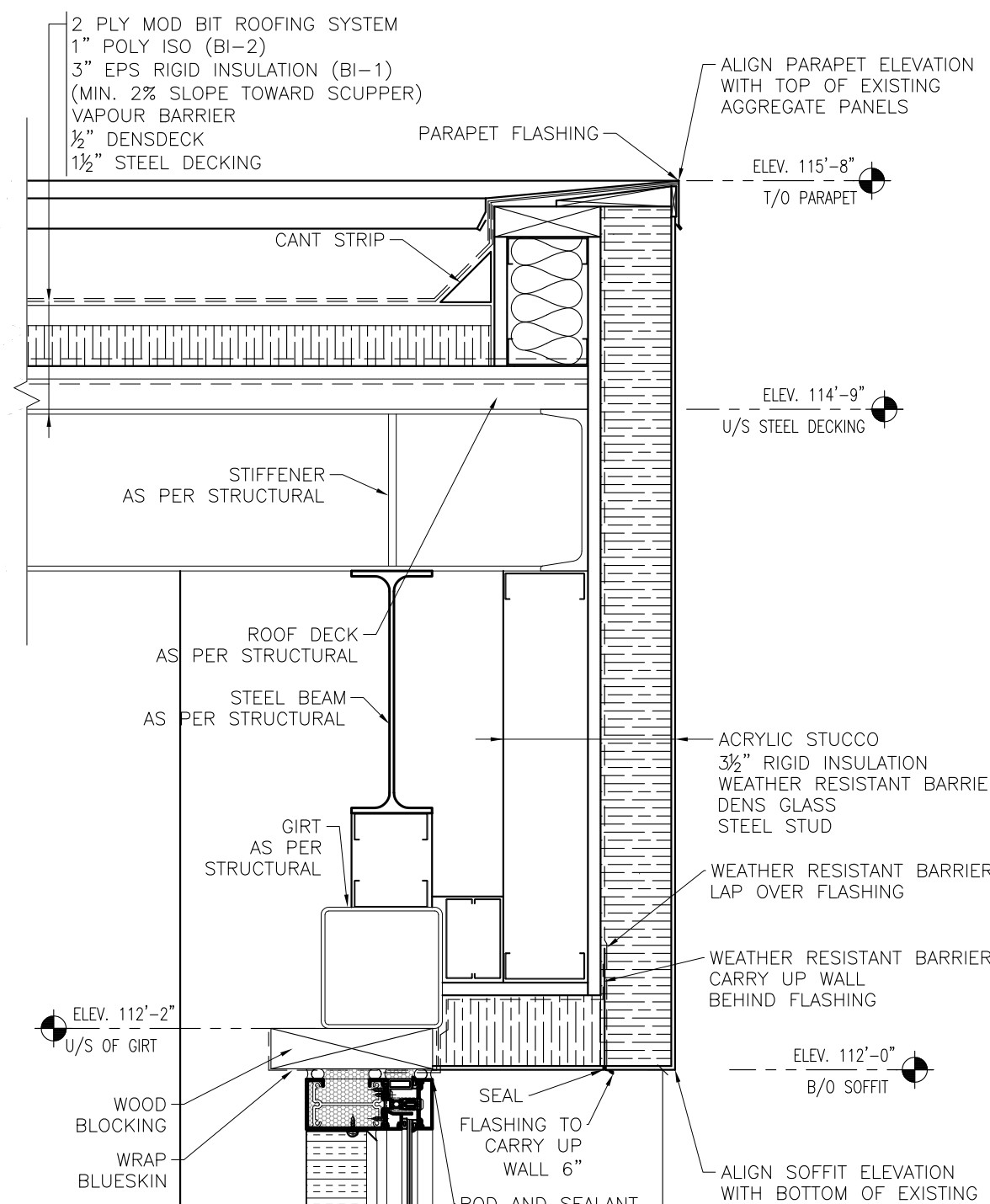


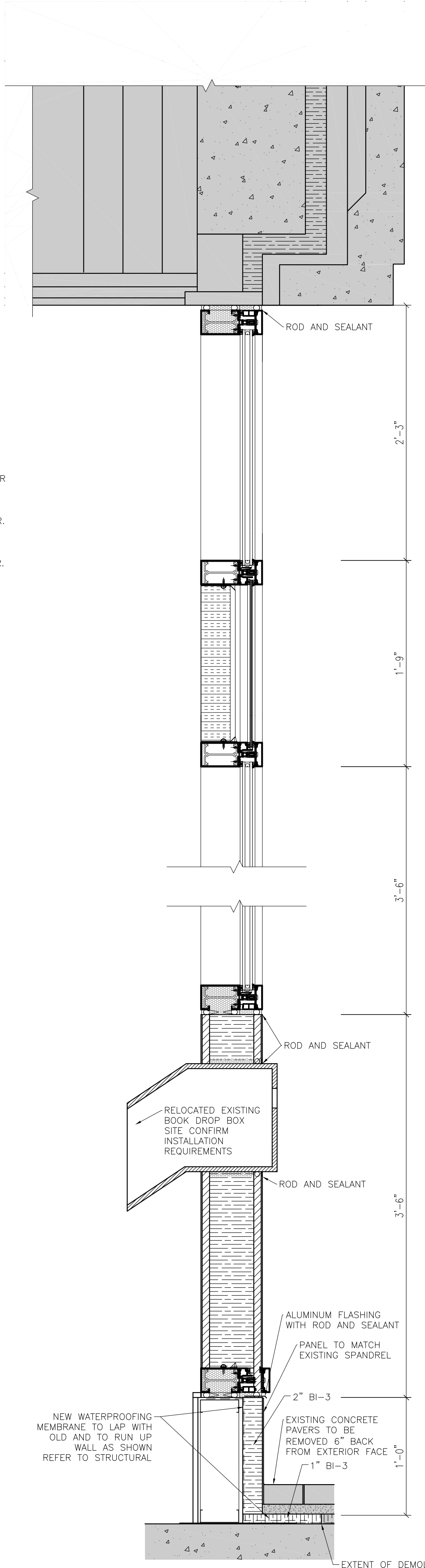
1 ROOF TO EXISTING PANEL WALL SECTION
 1/8" = 1'-0"



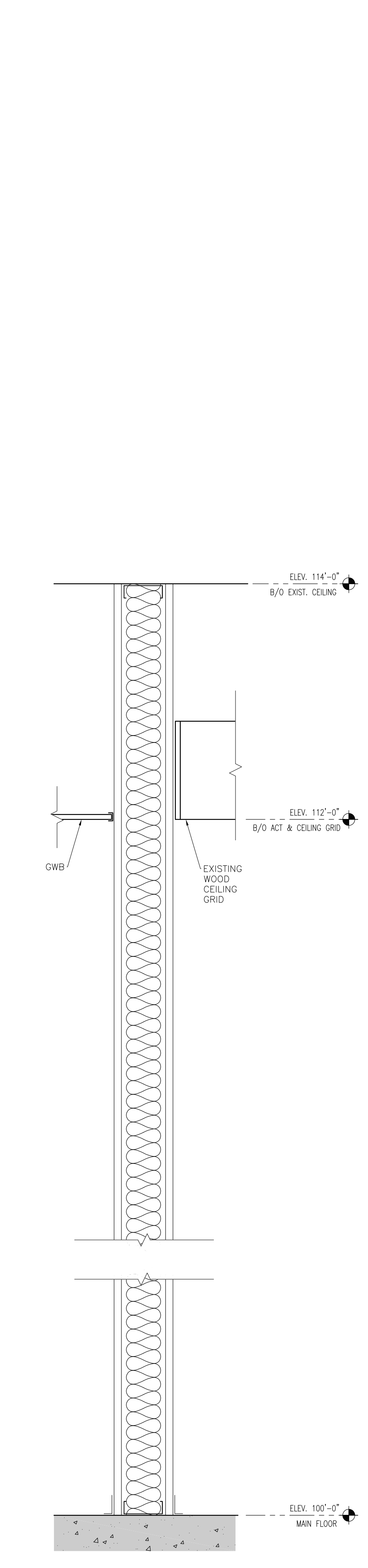
2 ROOF SCUPPER SECTION
 1/8" = 1'-0"



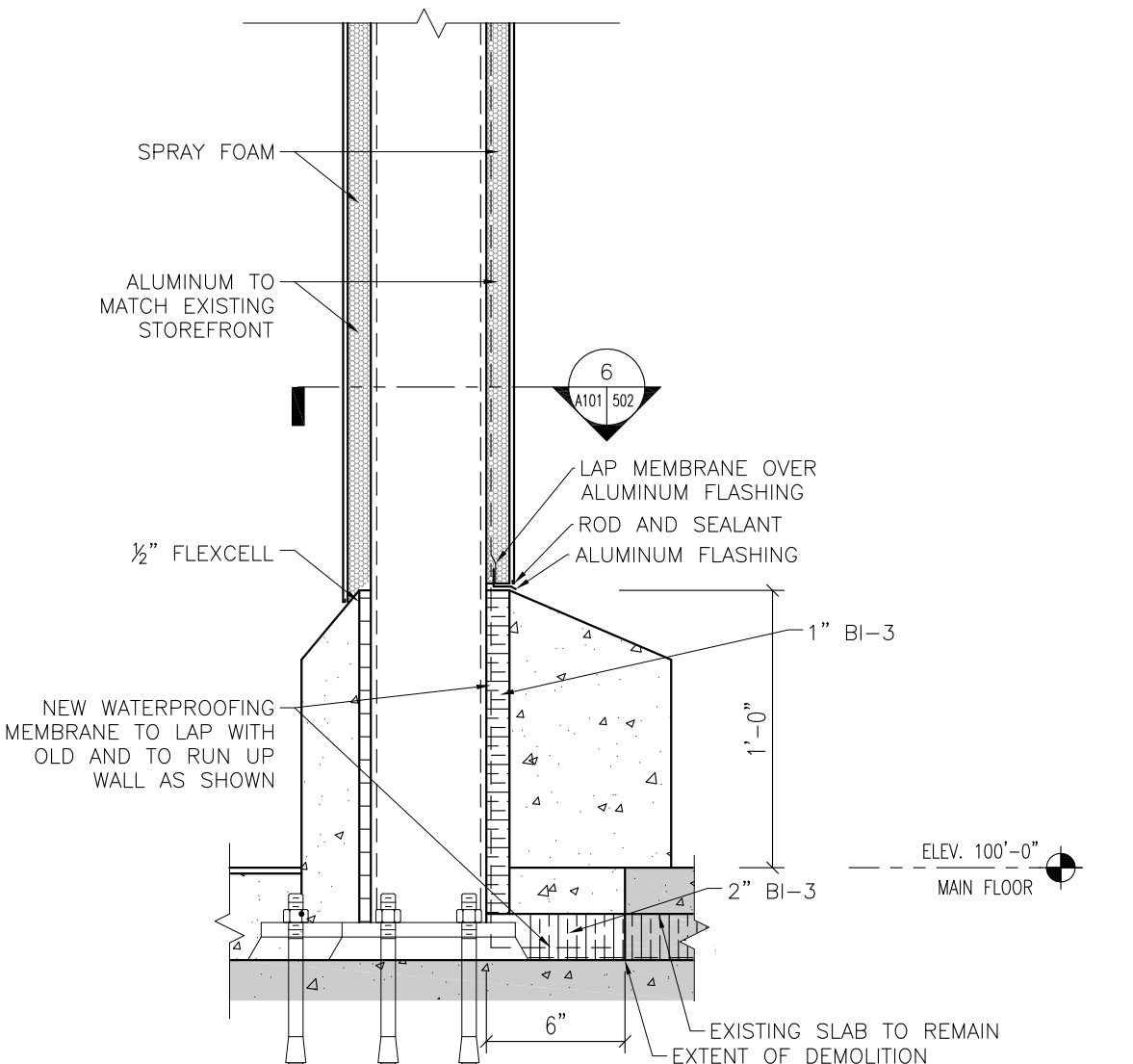
3 VESTIBULE WALL SECTION
 1/8" = 1'-0"



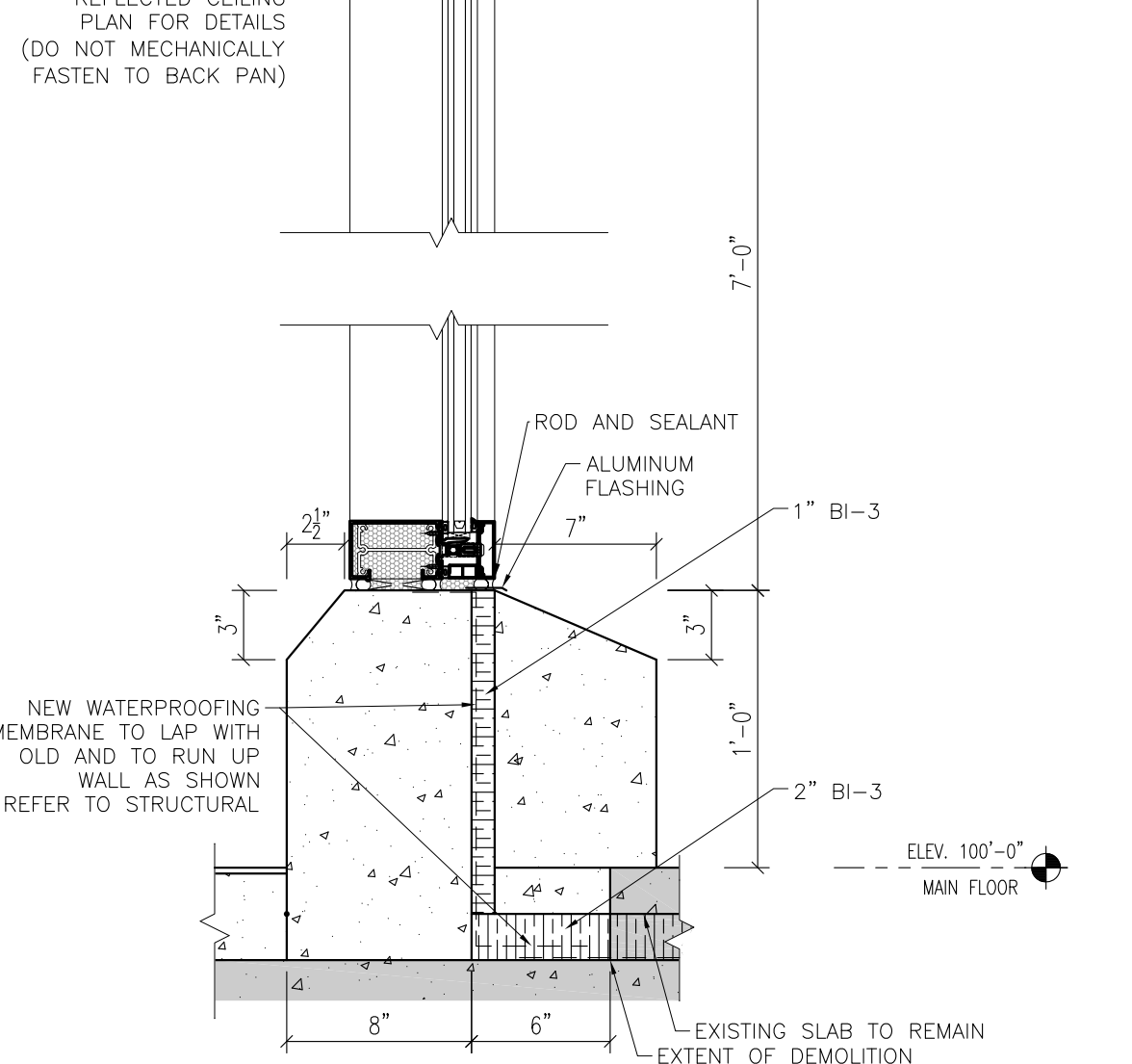
4 NEW DROP BOX WALL SECTION
 1/8" = 1'-0"



5 NEW PARTITION WALL SECTION
 1/8" = 1'-0"



6 VESTIBULE COLUMN SECTION
 1/8" = 1'-0"



3 VESTIBULE WALL SECTION
 1/8" = 1'-0"

0	ISSUED FOR TENDER	JJ	12/13
NO.	REVISIONS	BY	YR.MN.DY

The contractor shall check all dimensions and other data from the job and report any discrepancies to the architects before proceeding. This drawing and the information on it, is proprietary and confidential. Reproduction of any sort is prohibited without the written approval of MMP Architects Inc.

PROJECT TITLE
Southwest Entrance Development
Millennium Library, 251 Donald Street
 251 Donald Street, Winnipeg, MB
 BID OFF NUMBER: 517-2012
 DRAWING TITLE

Wall Sections



300 - 214 McDermot Avenue, Winnipeg Manitoba R3B 0S3
 Tel (204) 956-0530 Fax (204) 943-5704 www.mmparchitects.com

APPROVED	CHECKED	DRAWN BY
CD	CD	DP
SCALE	DATE	FILE NO.
AS NOTED	July 2012	2012-19

DRAWING NUMBER	REVISION NUMBER
A503	0
CAD FILE: 2012-19-503 Wall Sections.dwg	DRAWER NO.: