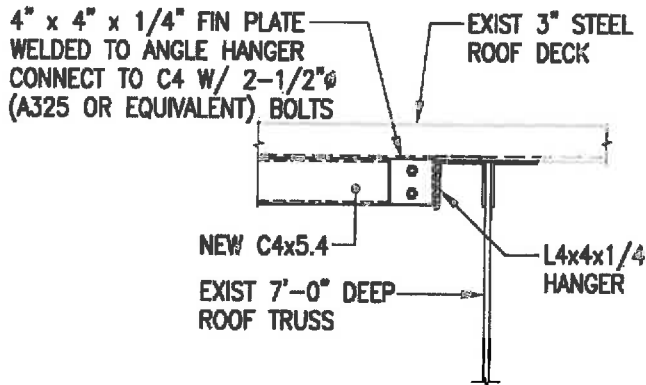


PARTIAL PLAN

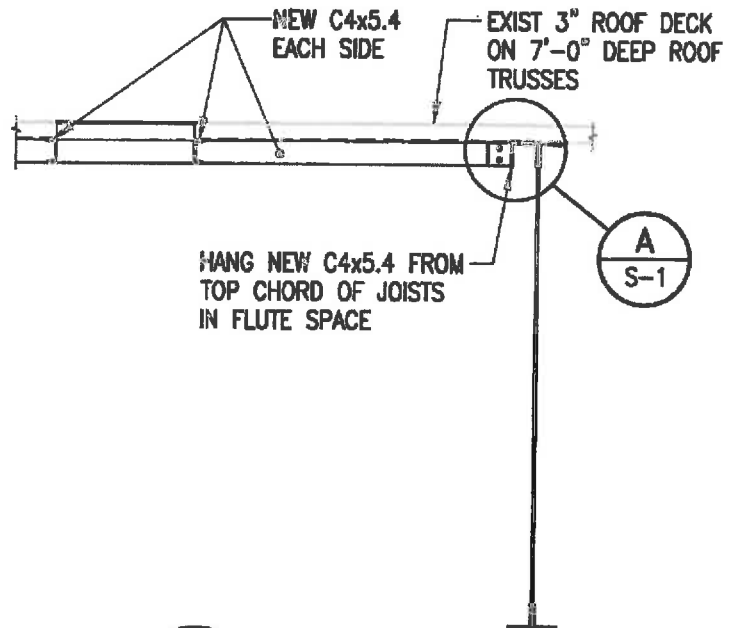
3/8" = 1'-0"



A
S-1

DETAIL

3/4" = 1'-0"



1
S-1

SECTION

3/8" = 1'-0"

300-275 Carlton Street
Winnipeg, Manitoba R3C 5R6
T 204. 943. 7501
F 204. 943. 7507

**Crosier Kilgour
& Partners Ltd.**
CONSULTING STRUCTURAL ENGINEERS

Project			
WINNIPEG TRANSIT EXHAUST UPGRADE WINNIPEG, MANITOBA			
Sheet Title			Sheet No.
REINFORCEMENT OF NEW & EXIST OPENINGS			S-1
Design	Drawn	Date	File
HJL	JHC	4 JULY 2012	2012-0584