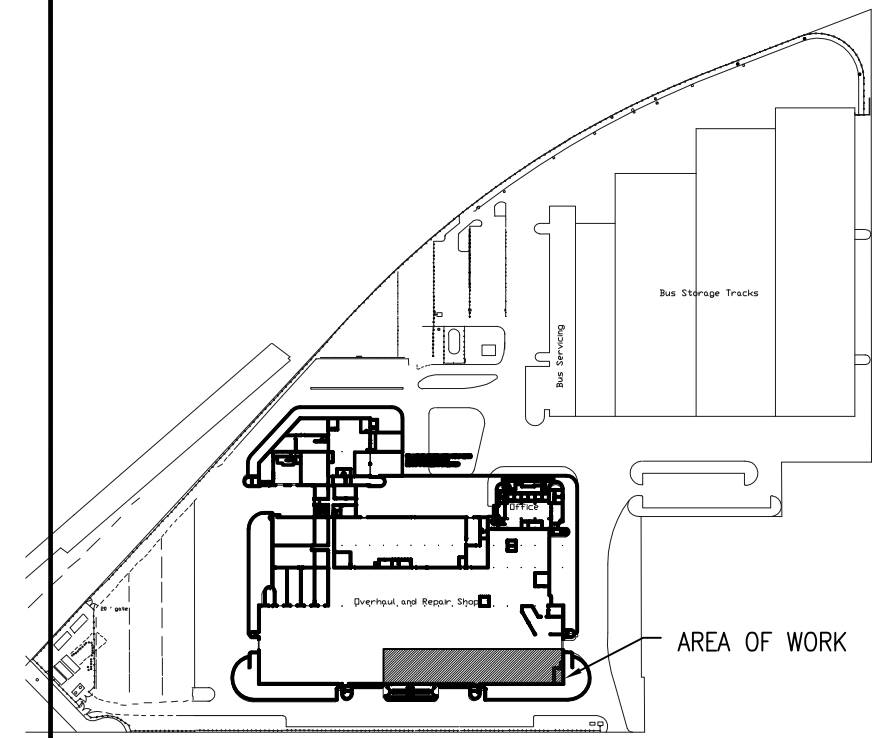


GENERAL NOTES:

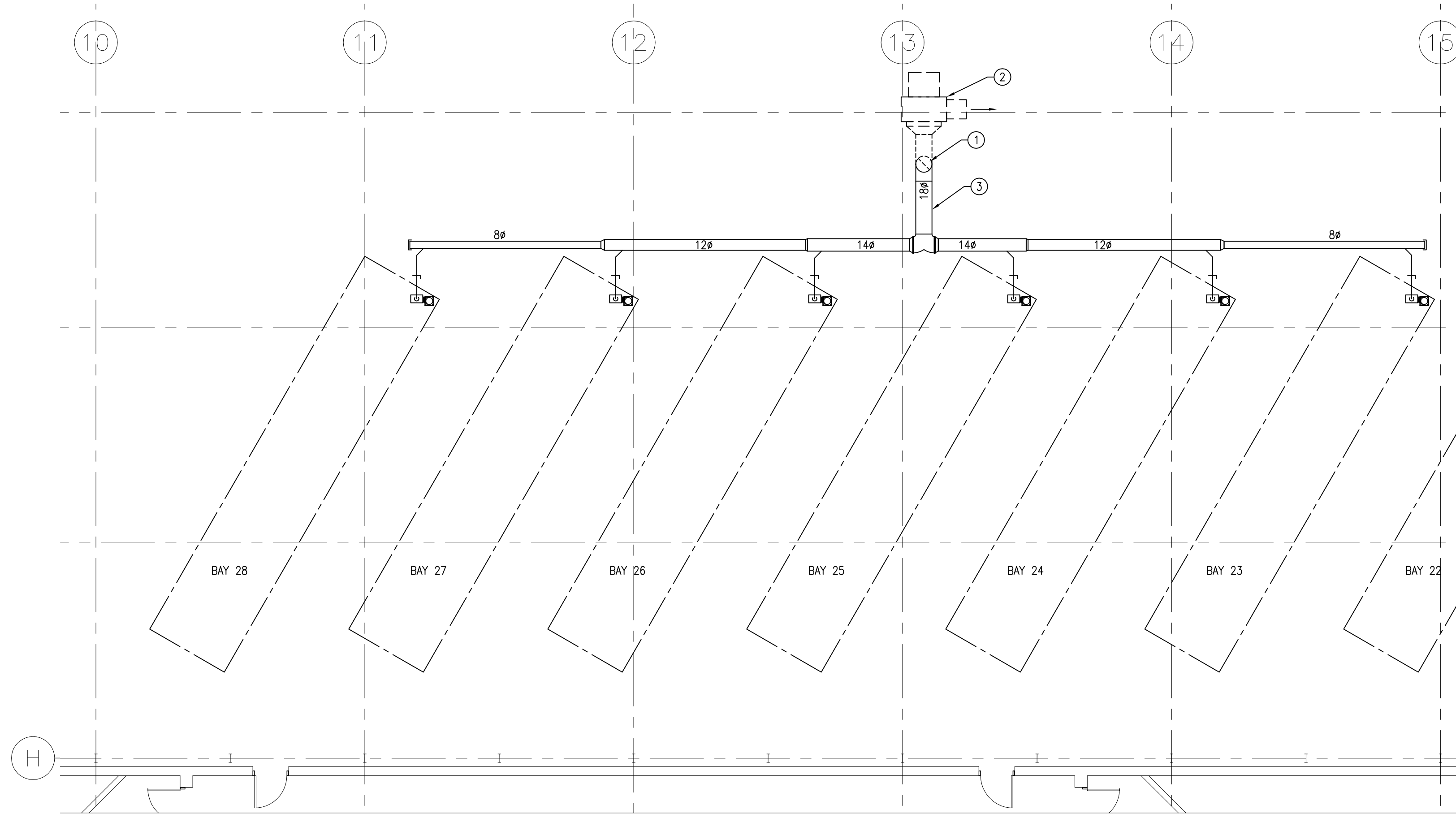
- A. ALL MECHANICAL SYSTEMS SHOWN ON THIS SHEET ARE EXISTING.
- B. THIS SHEET IS ISSUED ONLY FOR THE PURPOSE OF REINFORCING ROOF DECK AT EXISTING DUCT PENETRATIONS.

DRAWING NOTES: #

- 1. REINFORCE EXISTING DUCT PENETRATION THROUGH ROOF DECK AS PER SPECIFICATION DETAIL S-1.
- 2. EXISTING EXHAUST FAN ON ROOF.
- 3. EXISTING EXHAUST SYSTEM TO REMAIN.

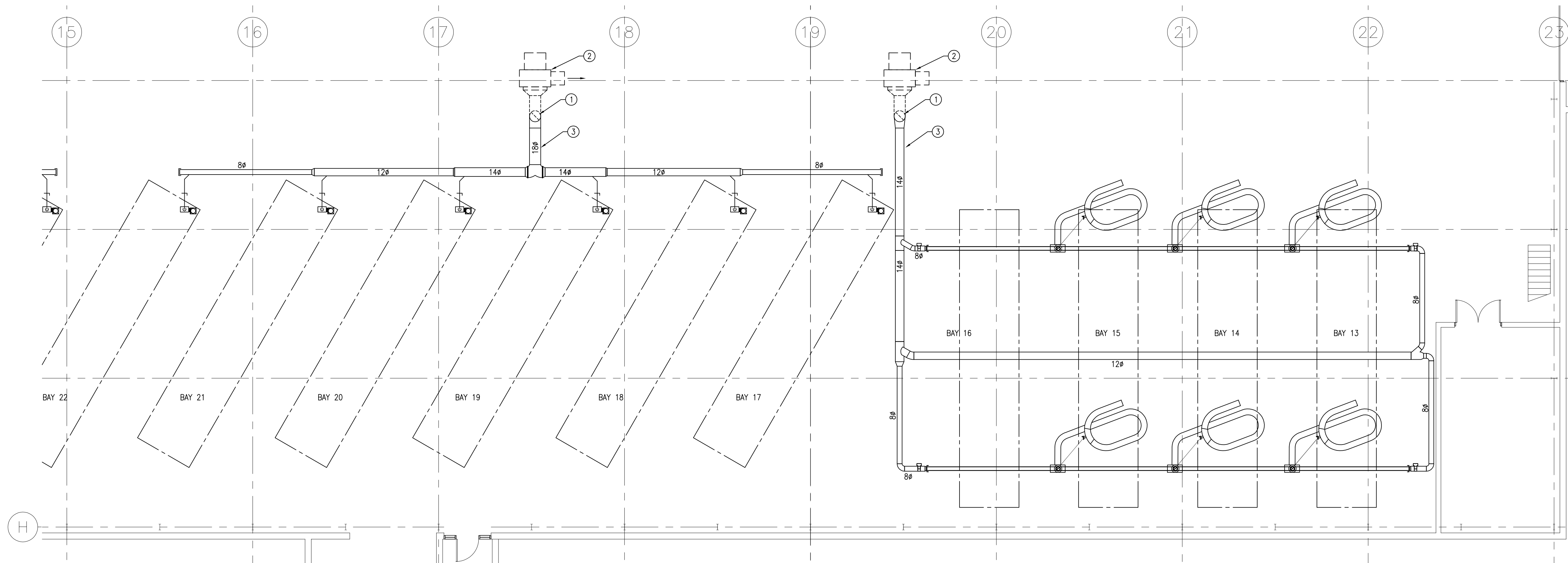


KEY PLAN
N.T.S.



1 PART MAIN FLOOR REPAIR GARAGE PART PLAN (EAST - EXISTING)

M1.2 SCALE: 1/8"=1'-0"



2 PART MAIN FLOOR REPAIR GARAGE PART PLAN (EAST - EXISTING)

M1.2 SCALE: 1/8"=1'-0"

7.			
6.			
5.			
4.			
3.	ISSUED FOR BID OPPORTUNITY	PG	10/07/12
2.	ISSUED FOR REVIEW	PG	04/07/12
1.	90% ISSUED FOR OWNER'S REVIEW	PG	27/06/12
NO.	Revisions	BY	DD/MM/YY



SMS ENGINEERING

SMS Engineering Ltd. Consulting Engineers
770 Bradford Street Winnipeg MB Canada R3H 0N3
Telephone: 204-775-0291 Fax: 204-772-2153
sms@smseng.com

Project Title
**CITY OF WINNIPEG
TRANSIT GARAGE VEHICLE
EXHAUST UPGRADE**
WINNIPEG MANITOBA

Drawing Title
**PART MAIN FLOOR PLAN
EXHAUST SYSTEM LAYOUT
BAY 13 TO 28**

Drawn By RNS/E	Checked By PWG	Approved By PWG
Scale AS NOTED	Date JUNE 2012	Project No. 10-241-01
Revision Number 3	Drawing Number M1.2	Sheet Order 2 OF 2