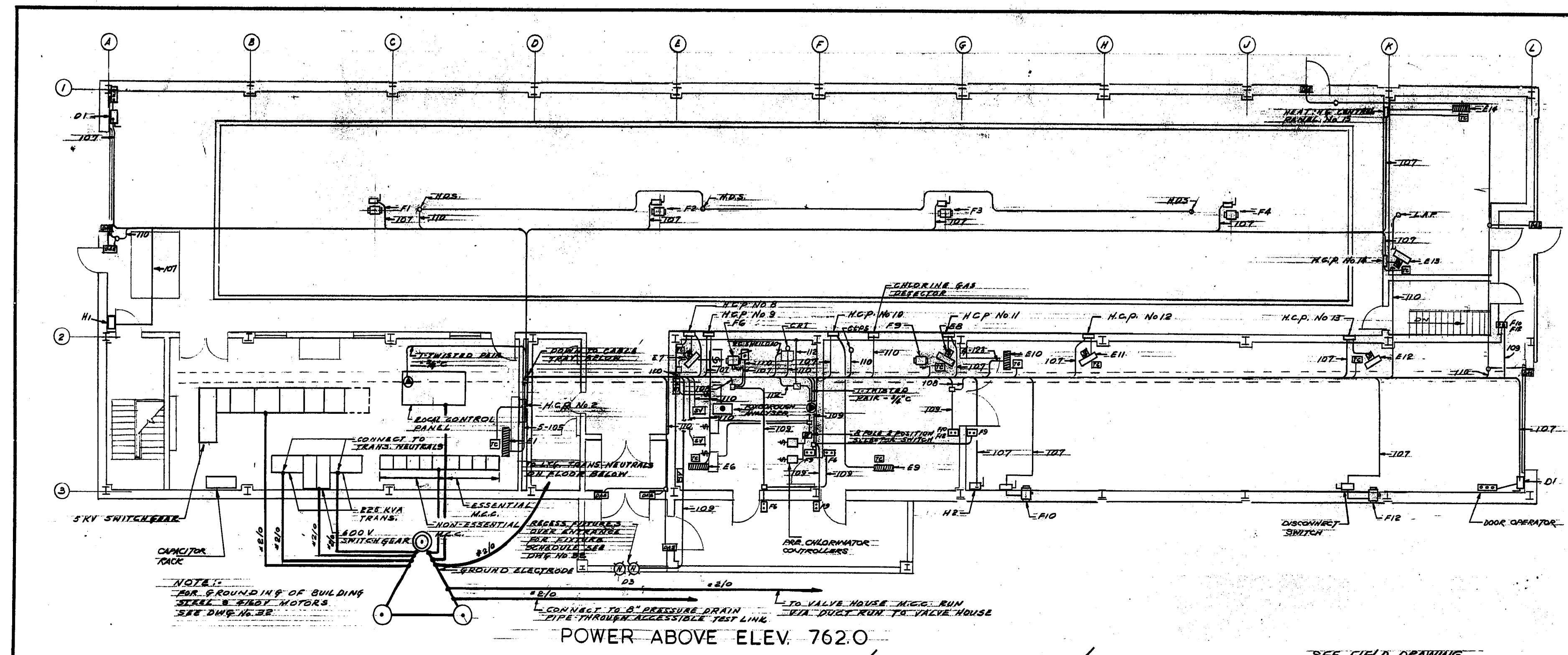
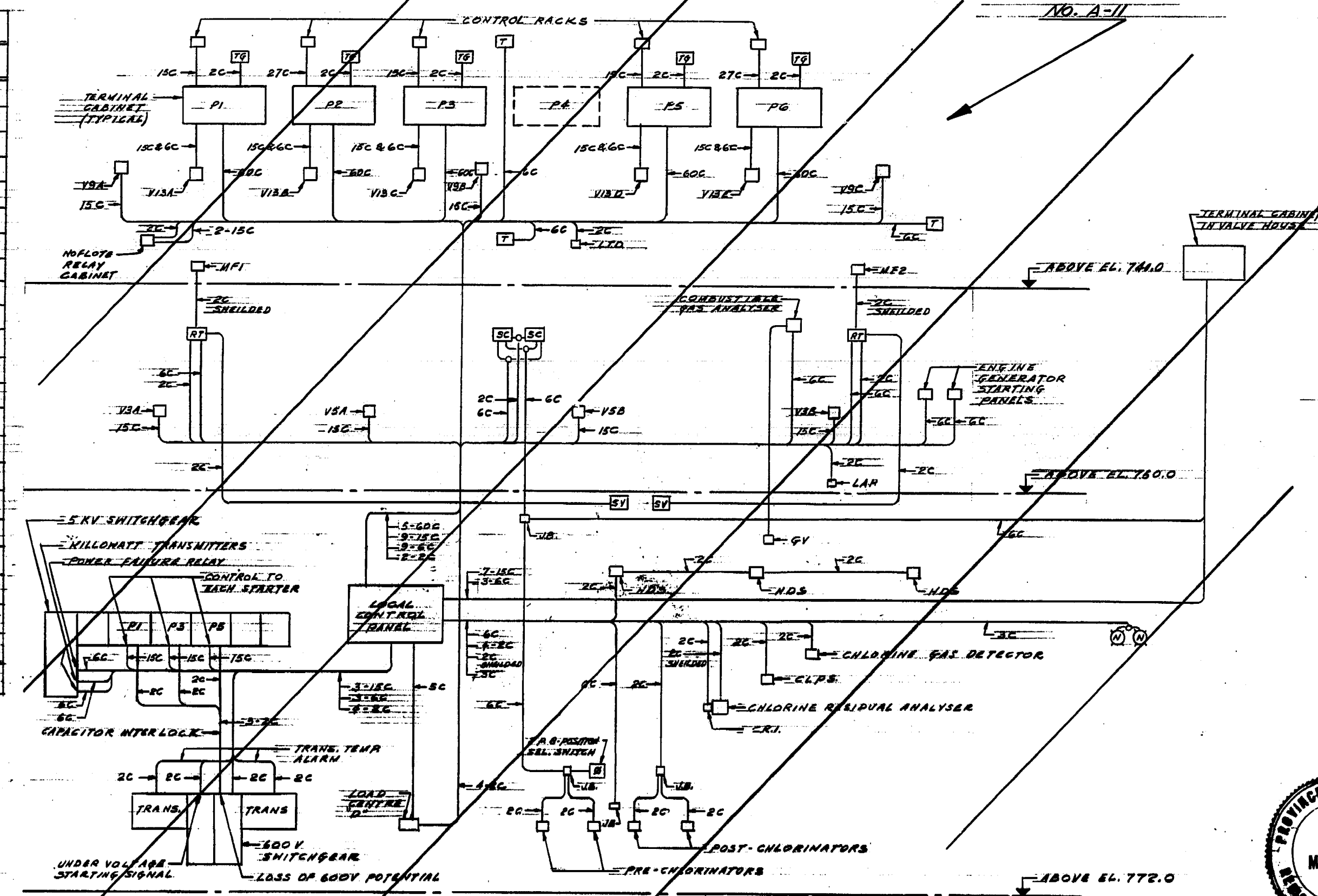


REF. OR DRAWING NO. ME-38

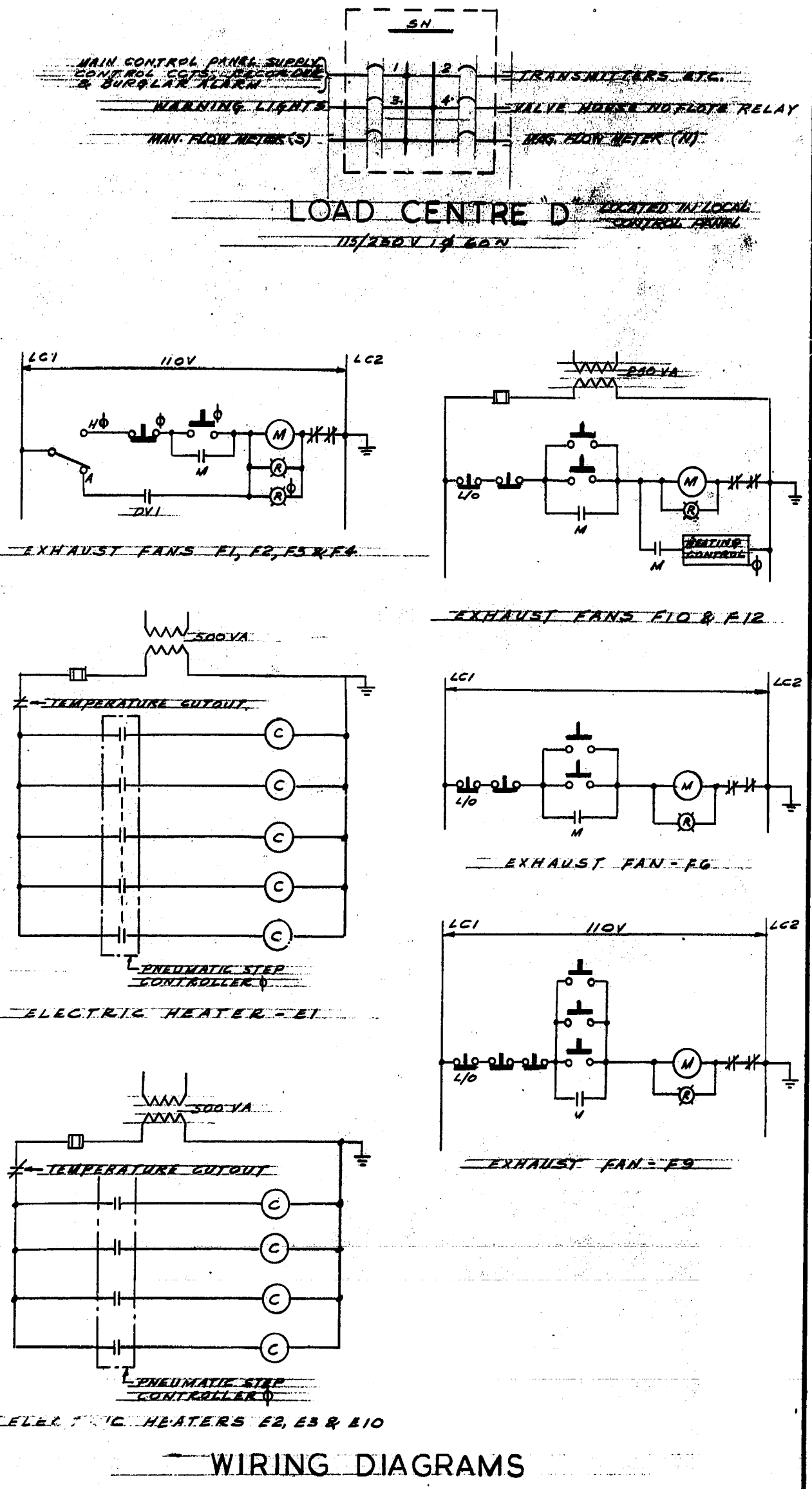
DETAILS ELECTRICAL - POWER PLAN ABOVE ELEV. 762.00 & DETAILS



RUN No.	CABLE	TYPE OF CABLE	CONDUIT SIZE	REMARKS
101	3C-#4	3KV-RINV	3"	RUN VIA CABLE TRAY TO TRANS.
102	3C-#1	3KV-RINV	3"	RUN VIA CABLE TRAY TO CONDUIT
103	4C-250MCM	600V RINV	"	RUN VIA CABLE TRAY
104	4C-250MCM	600V RINV	"	RUN VIA CABLE TRAY
105	4C-#2	"	2"	"
106	4C-#1	"	2 1/2"	RUN VIA CABLE TRAY & 3/4" FIBRE DUCT
107	4C-#10	"	1"	RUN VIA CABLE TRAY TO CONDUIT
108	4C-#10	3C-#4	1 1/2"	"
109	3C-#18	"	1"	"
110	2C-#14	"	3/4"	"
111	2C-#10	2C-#14	1 1/2"	RUN VIA CABLE TRAY TO CONDUIT TO TRENCH IF INDICATED
112	6C-#18	"	1 1/2"	"
113	"	"	"	"
114	15C-#18	"	2"	"
115	15C-#18	"	2"	"
116	2-15C-#18	"	2 1/2"	"
117	"	"	"	"
118	60C-#8	"	3"	"
119	4C-#10	15C-#18	2"	"
120	"	"	"	"
121	3C-#10	"	1"	"
122	4C-#4	"	1 1/2"	"
123	2C-#8	"	1 1/2"	"



CONTROL CABLE RISER DIAGRAM



REVISED AS BUILT, JUNE - 1965  
 SUPPLIED UNDER ANOTHER SECTION OF THIS CONTRACT.

THE METROPOLITAN CORPORATION OF GREATER WINNIPEG  
 WATERWORKS AND WASTE DISPOSAL DIVISION

METRO EAST PUMPING STATION AND RESERVOIR

**CONTRACT A - PUMPING STATION ELECTRICAL - POWER PLAN ABOVE ELEVATION 762.0 AND DETAILS**

APPROVED: *James T. MacLaren*  
 JAMES T. MACLAREN ASSOCIATES ENGINEERS TORONTO

DESIGN ENGINEER: *W. J. MacLaren*  
 ENGINEER OF WATERWORKS

TEMPLETON ENGINEERING COMPANY PROFESSIONAL ENGINEERS WINNIPEG

DATE: JUNE 22, 1962  
 SCALE: AS SHOWN  
 DWS. No. 31 OF 37

ME-38

