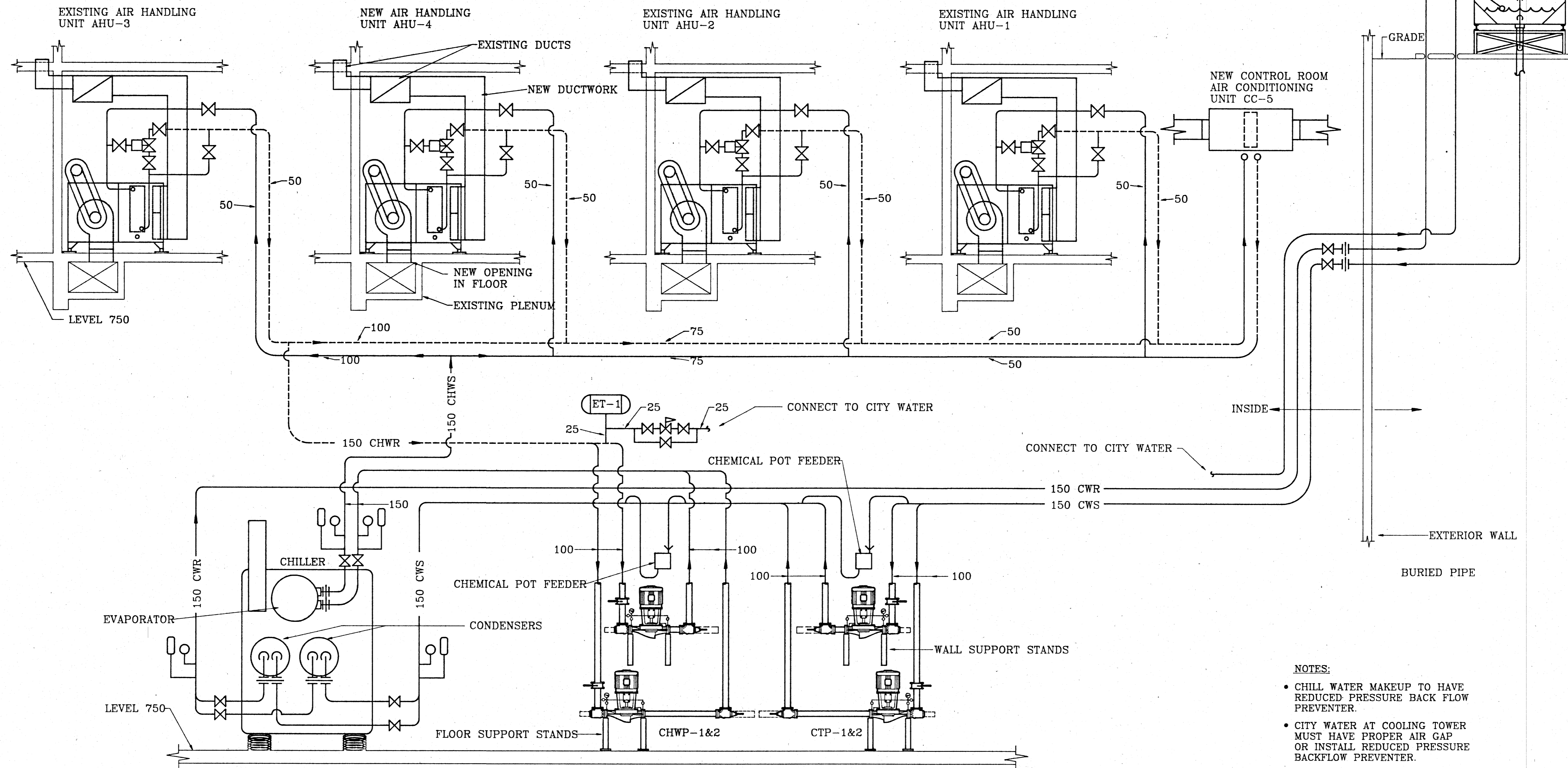


Ref. of Drawing No. **ME-250**
DETAILS FILE # **WP 10619**

LINE DESCRIPTION
 CHWR - CHILLED WATER RETURN
 CHWS - CHILLED WATER SUPPLY
 CWR - CONDENSER WATER RETURN
 CWS - CONDENSER WATER SUPPLY



NOTES:
 • CHILL WATER MAKEUP TO HAVE REDUCED PRESSURE BACK FLOW PREVENTER.
 • CITY WATER AT COOLING TOWER MUST HAVE PROPER AIR GAP OR INSTALL REDUCED PRESSURE BACKFLOW PREVENTER.



B.M. ELEV.		FARACI ENGINEERING LTD. 219 FORT STREET WINNIPEG, MANITOBA, CANADA R3C 1E2	
DESIGNED BY	E. J. F.	CHECKED BY	E. J. F.
DRAWN BY	R. F.	APPROVED BY	E. J. F.
HOR. SCALE	1:100	RELEASED FOR CONSTRUCTION	<i>[Signature]</i>
VERTICAL SCALE		DATE	JUNE 1993
NO. REVISIONS	DATE	BY	

ENGINEER'S SEAL

THE CITY OF WINNIPEG
 WORKS AND OPERATIONS DIVISION
 WATERWORKS WASTE AND DISPOSAL DEPARTMENT

MACLEAN PUMPING STATION
 PUMPHOUSE HVAC UPGRADE
 PROCESS DRAWING

CITY DRAWING NUMBER
 ME-250
 SHEET 2 OF 3

M-M2