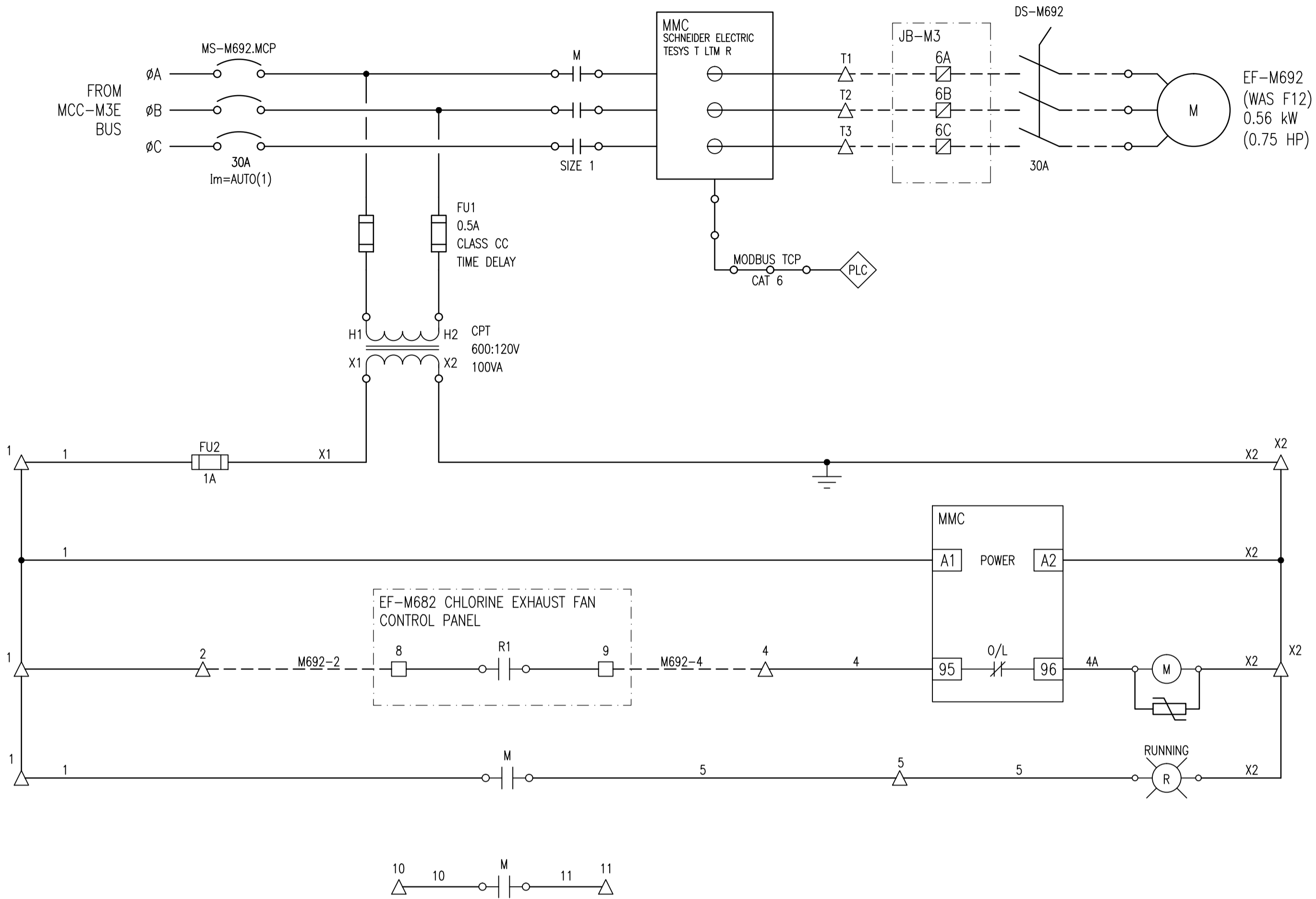
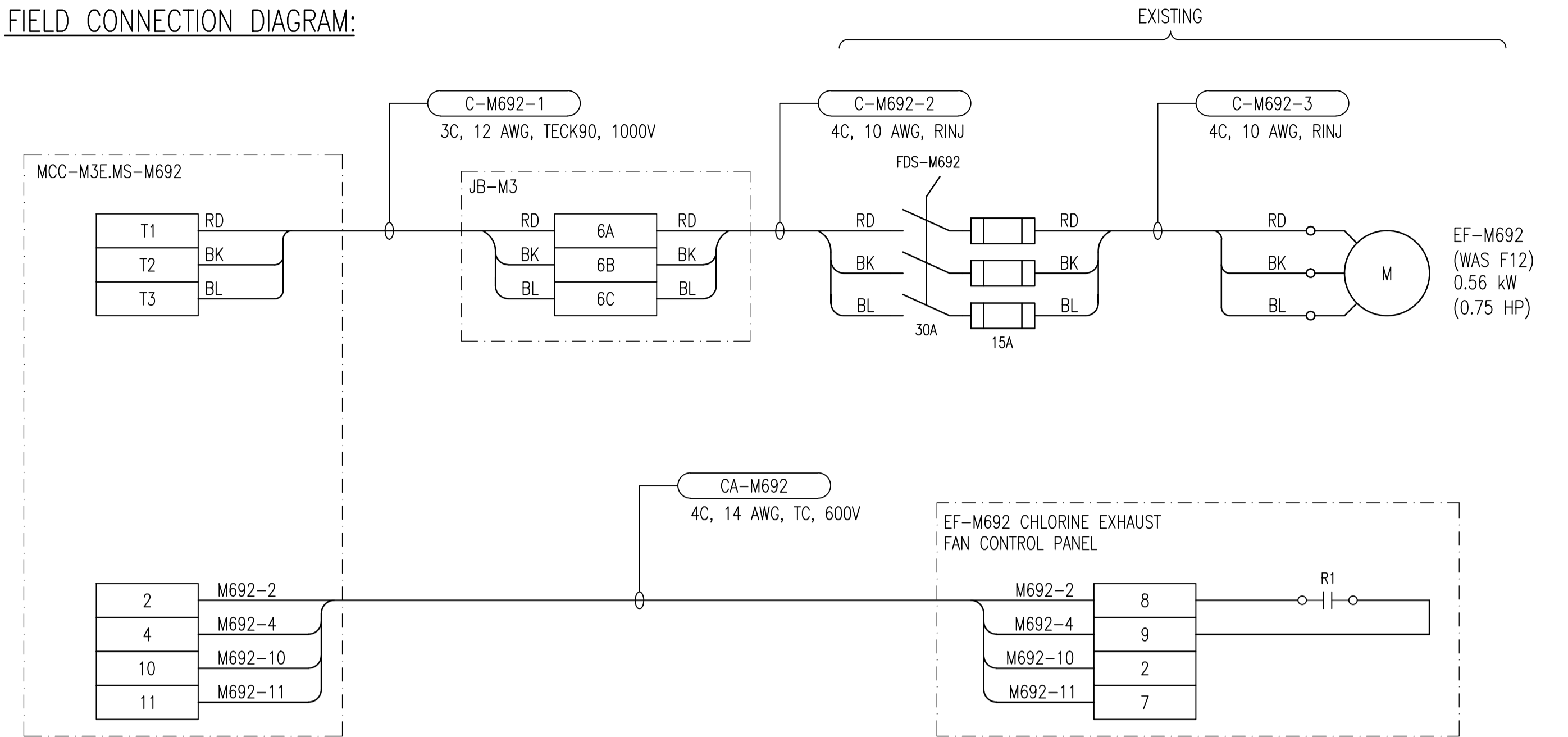


**ELEMENTARY DIAGRAM:**



**FIELD CONNECTION DIAGRAM:**



**CONSTRUCTION NOTES:**

- 1 INVESTIGATE EXISTING WIRING TO THE EXHAUST FAN CONTROL PANEL(S) AND MODIFY WIRING FROM THAT SHOWN AS REQUIRED TO REPLICATE EXISTING FUNCTIONALITY. PROVIDE AS-BUILT MARKUPS TO THE CONTRACT ADMINISTRATOR.
- 2 PROVIDE IDENTIFICATION LAMACOIDS FOR ALL CHLORINE EXHAUST FAN CONTROL PANELS APPLICABLE TO EF-M692.

**LEGEND:**

- △ TERMINAL IN MOTOR STARTER COMPARTMENT
- TERMINAL IN LCP-M600
- ▣ TERMINAL IN JUNCTION BOX
- ⊙(R) INDICATING LIGHT, R = RED, A = AMBER
- ⊙(M) CONTACTOR COIL
- ⊎ TRANSIENT VOLTAGE SUPPRESSOR

1-0630M-E0027	MCC ELEVATION, MCC-M3E
1-0630M-E0025	SINGLE LINE DIAGRAM, MCC-M3E
DRAWING NUMBER	REFERENCE DRAWINGS



00	ISSUED FOR TENDER, BID OPP: 490-2012	2012/07/23	BJC	CJR
NO.	REVISIONS	DATE	DESIGN	CHECK

**SNC-LAVALIN INC.**  
148 Nature Park Way  
Winnipeg, MB, Canada R3P 0X7  
204-786-8080

DESIGNED BY: B. CLEVEN  
DRAWN BY: M.J. PERSSON  
SCALE: NTS  
DATE: 2012/05/03

CHECKED BY: C. REIMER  
APPROVED BY: C. REIMER  
RELEASED FOR CONSTRUCTION BY:  
DATE:

CONSULTANT NO.: 508955-0000-47DD-0057

ENGINEER'S SEAL

**PRELIMINARY**  
NOT TO BE  
USED FOR  
CONSTRUCTION

**THE CITY OF WINNIPEG**  
WATER AND WASTE DEPARTMENT

MACLEAN WATER PUMPING STATION

MOTOR STARTER SCHEMATIC  
EF-M692  
CL2 STORAGE ROOM EXHAUST FAN

CITY DRAWING NUMBER: 1-0630M-E0057

SHEET REV. SIZE: 001 00 A1