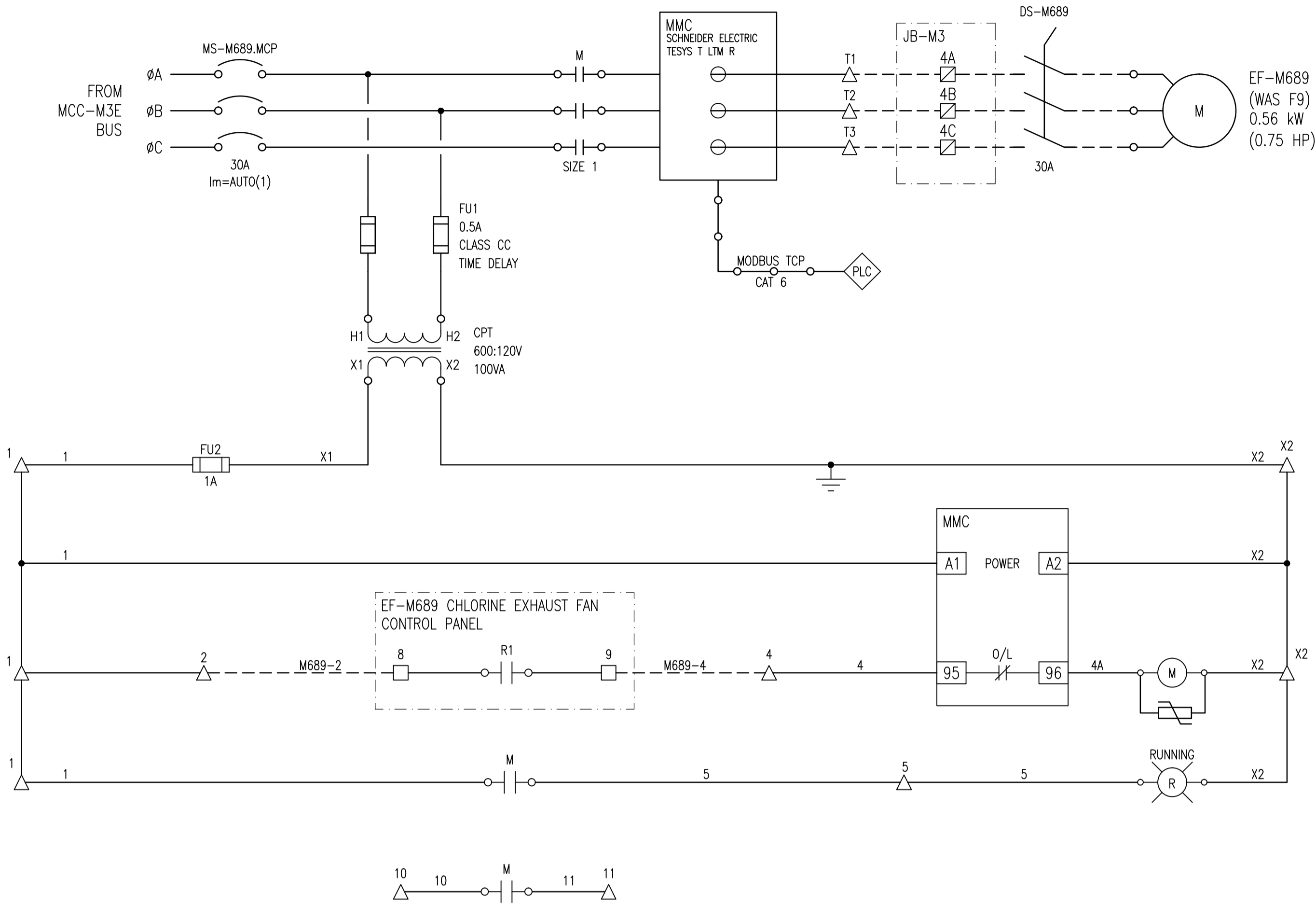
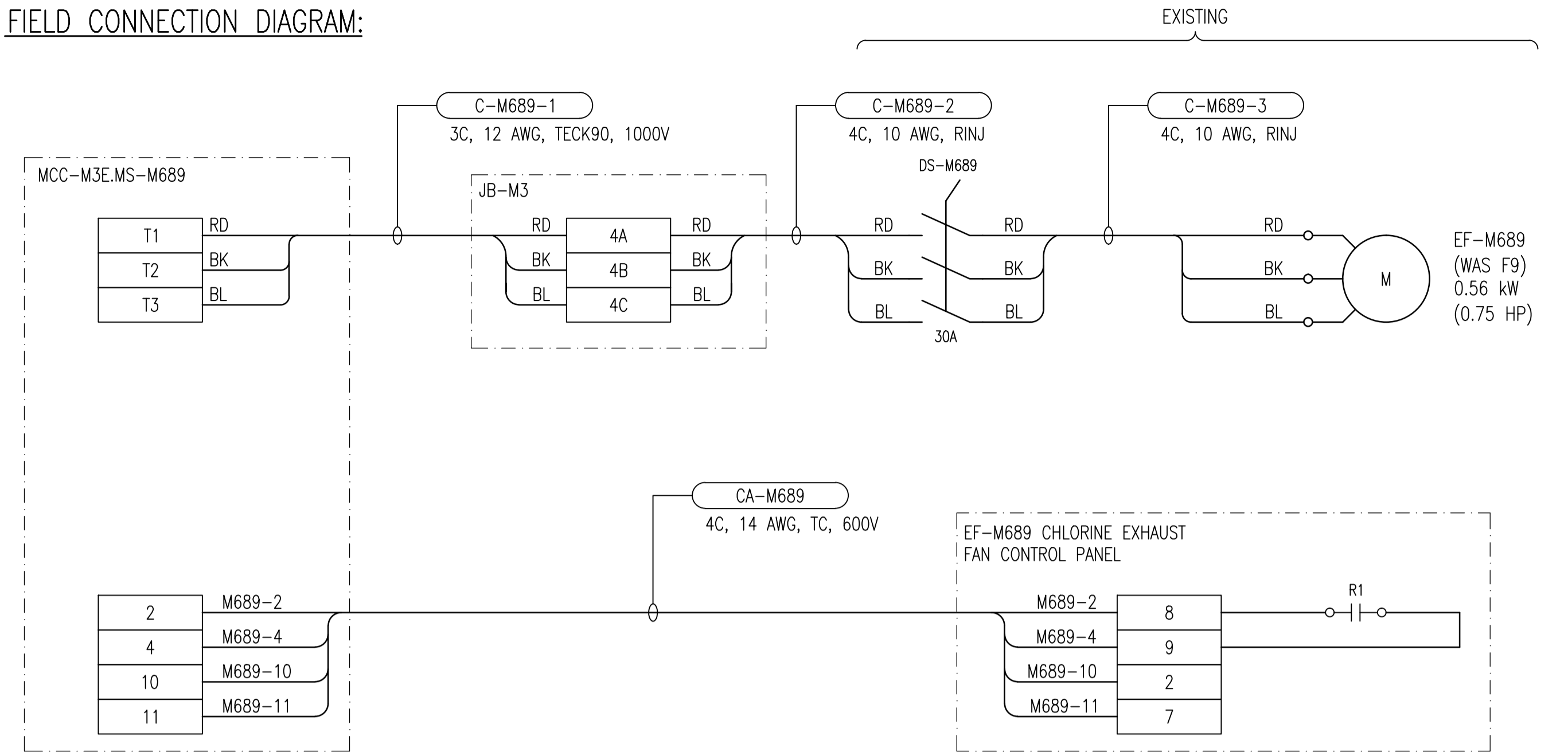


ELEMENTARY DIAGRAM:



FIELD CONNECTION DIAGRAM:



CONSTRUCTION NOTES:

- INVESTIGATE EXISTING WIRING TO THE EXHAUST FAN CONTROL PANEL(S) AND MODIFY WIRING FROM THAT SHOWN AS REQUIRED TO REPLICATE EXISTING FUNCTIONALITY. PROVIDE AS-BUILT MARKUPS TO THE CONTRACT ADMINISTRATOR.
- PROVIDE IDENTIFICATION LAMACOIDS FOR ALL CHLORINE EXHAUST FAN CONTROL PANELS APPLICABLE TO EF-M689.

LEGEND:

△	TERMINAL IN MOTOR STARTER COMPARTMENT
□	TERMINAL IN LCP-M600
⊠	TERMINAL IN JUNCTION BOX
⊙ (R)	INDICATING LIGHT, R = RED, A = AMBER
⊙ (M)	CONTACTOR COIL
⊠ (Z)	TRANSIENT VOLTAGE SUPPRESSOR

1-0630M-E0027	MCC ELEVATION, MCC-M3E
1-0630M-E0025	SINGLE LINE DIAGRAM, MCC-M3E
DRAWING NUMBER	REFERENCE DRAWINGS



		SNC-LAVALIN INC. 148 Nature Park Way Winnipeg, MB, Canada R3P 0X7 204-786-8080		ENGINEER'S SEAL	
DESIGNED BY:	B. CLEVEN	CHECKED BY:	C. REIMER	PRELIMINARY NOT TO BE USED FOR CONSTRUCTION	
DRAWN BY:	M.J. PERSSON	APPROVED BY:	C. REIMER		
SCALE:	NTS	RELEASED FOR CONSTRUCTION BY:			
DATE:	2012/05/03	DATE:			
ISSUED FOR TENDER, BID OPP: 490-2012	2012/07/23	DESIGN	BJC	CJR	
NO. REVISIONS	DATE	DESIGN	CHECK		
CONSULTANT NO.: 508955-0000-47DD-0055				THE CITY OF WINNIPEG WATER AND WASTE DEPARTMENT MACLEAN WATER PUMPING STATION MOTOR STARTER SCHEMATIC EF-M689 CL2 SCALE ROOM EXHAUST FAN	
CITY DRAWING NUMBER			SHEET	REV.	SIZE
1-0630M-E0055			001	00	A1