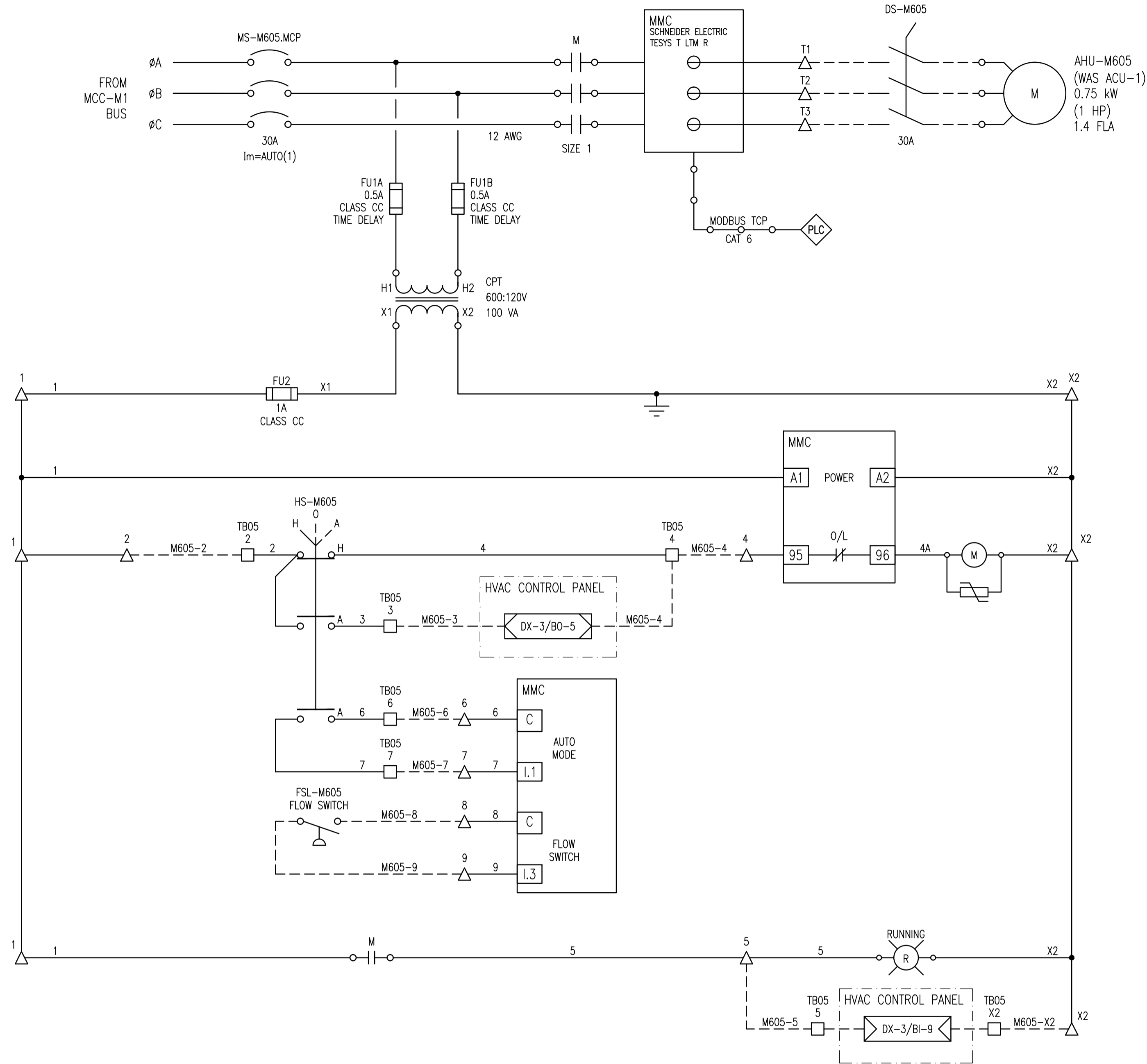
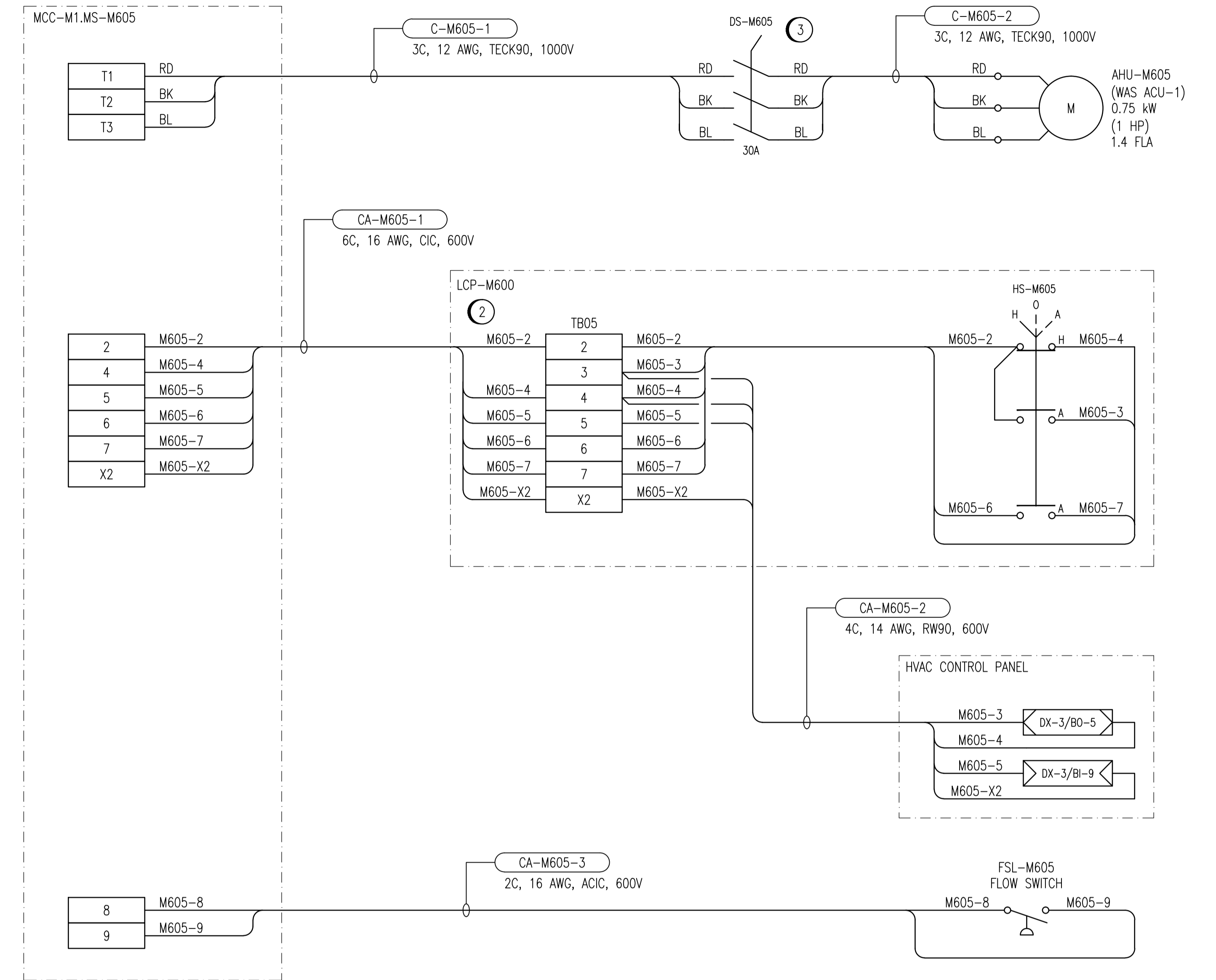


ELEMENTARY DIAGRAM:



FIELD CONNECTION DIAGRAM:



CONSTRUCTION NOTES:

- ① CONFIRM THAT ALL EXISTING CONTROLS ARE REPLACED BY THE NEW CONTROLS. ADVISE THE CONTRACT ADMINISTRATOR OF ANY EXISTING INTERLOCKS OR CONTROLS NOT SHOWN ON THIS DRAWING.
- ② INSTALL NEW LCP-M600 TO REPLACE EXISTING HVAC HOA SWITCHES.
- ③ UTILIZE EXISTING DISCONNECT SWITCH.

LEGEND:

- △ TERMINAL IN MOTOR STARTER COMPARTMENT
- TERMINAL IN LCP-M600
- ⊙(R) INDICATING LIGHT, R = RED, A = AMBER
- ⊙(M) CONTACTOR COIL
- ⊏ TRANSIENT VOLTAGE SUPPRESSOR
- ⊏ HVAC CONTROLLER INPUT
- ⊏ HVAC CONTROLLER OUTPUT

1-0630M-E0025	MCC-M3E SINGLE LINE DIAGRAM
DRAWING NUMBER	REFERENCE DRAWINGS



DESIGNED BY:	B. CLEVEN	CHECKED BY:	C. REIMER
DRAWN BY:	M.J. PERSSON	APPROVED BY:	C. REIMER
SCALE:	NTS	RELEASED FOR CONSTRUCTION BY:	
DATE:	2012/05/03	DATE:	
ISSUED FOR TENDER, BID OPP.:	490-2012	DATE:	2012/07/23
DESIGN:	BJC	CHECK:	CJR

SNC-LAVALIN INC.
 148 Nature Park Way
 Winnipeg, MB, Canada R3P 0X7
 204-786-8080

CONSULTANT NO.: 508955-0000-47DD-0049

ENGINEER'S SEAL

PRELIMINARY
 NOT TO BE
 USED FOR
 CONSTRUCTION

THE CITY OF WINNIPEG
 WATER AND WASTE DEPARTMENT

MACLEAN WATER PUMPING STATION

MOTOR STARTER SCHEMATIC
 AHU-M605
 ELECTRICAL ROOM AIR HANDLING UNIT

CITY DRAWING NUMBER: 1-0630M-E0049

SHEET: 001

REV: 00

SIZE: A1