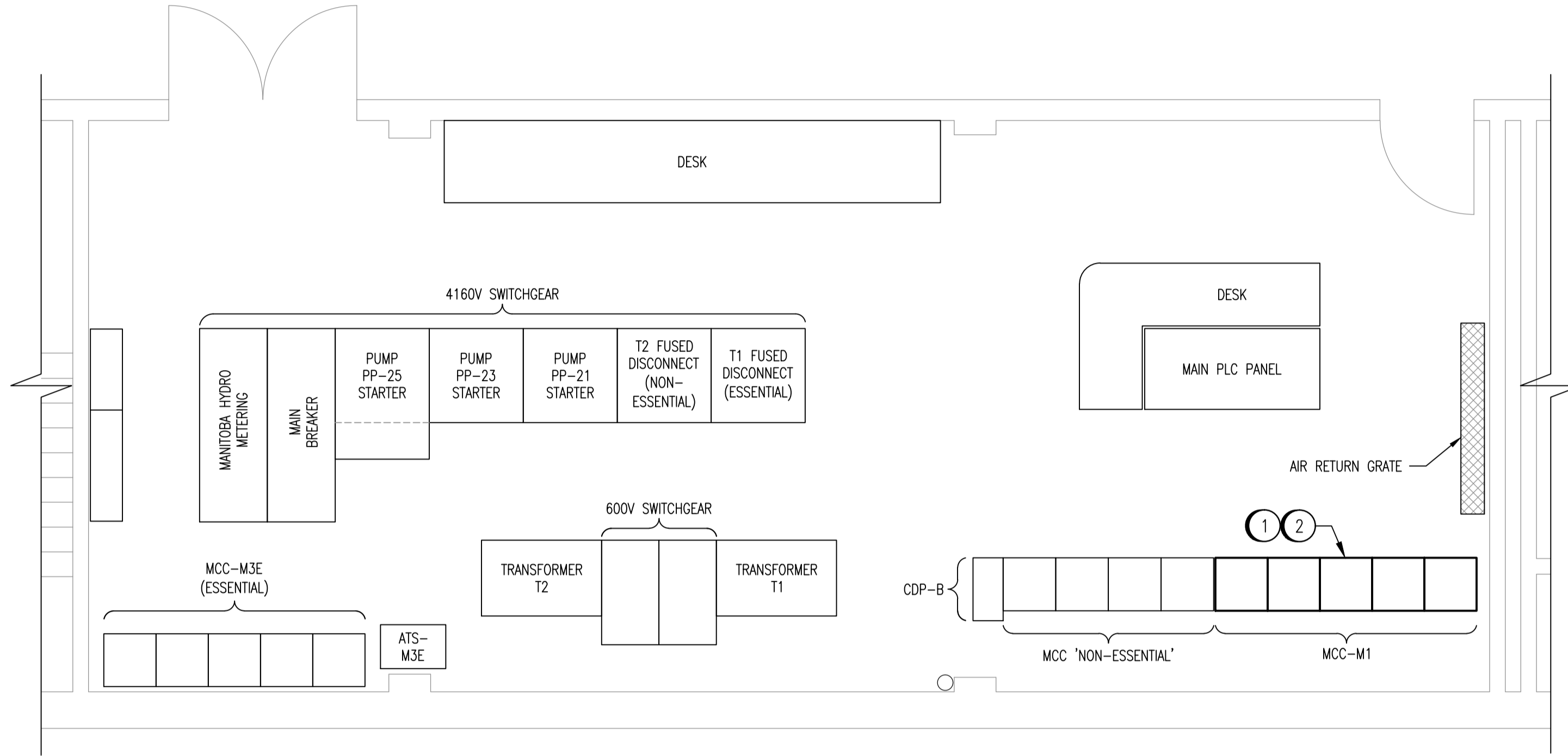


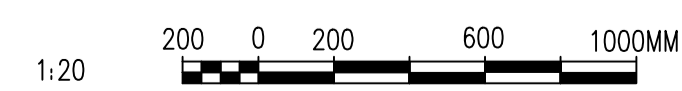
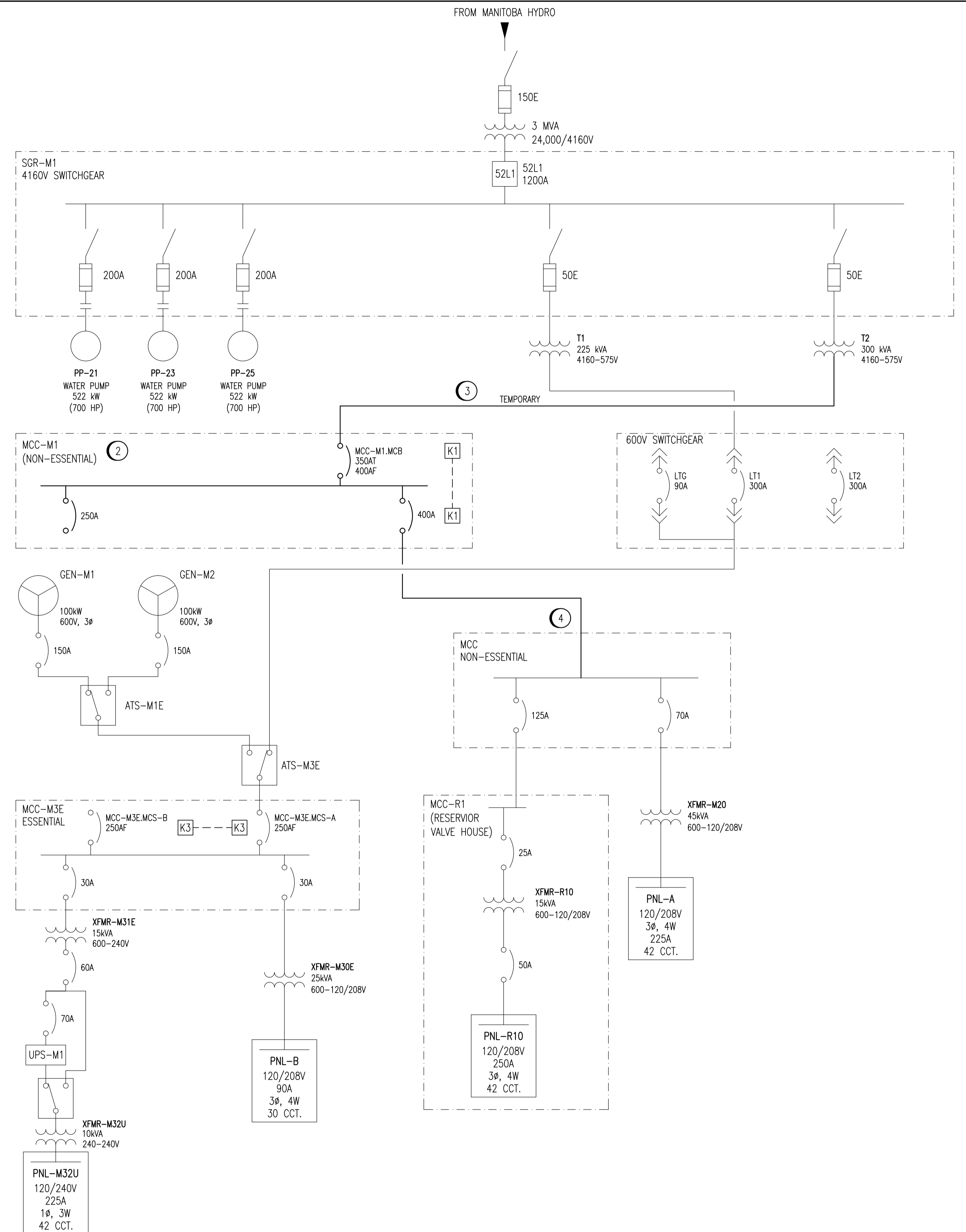
LEGEND:

- EXISTING
- NEW WORK
- - - DEMOLITION



CONSTRUCTION SEQUENCE:

- 1 DEMOLISH EXISTING ESSENTIAL MCC.
- 2 INSTALL NEW MCC, MCC-M1.
- 3 CONNECT SECONDARY OF EXISTING TRANSFORMER T2 TO MCC-M1 WITH C-MCC-M1. ENSURE THE LENGTH IS SUFFICIENT FOR LATER CONNECTION FROM NEW TRANSFORMER XFMR-M1.
- 4 CONNECT 400AF TIE BREAKER IN MCC-M1 TO THE EXISTING NON-ESSENTIAL MCC WITH A TEMPORARY 3C, 500 MCM, TECK90 CABLE.
- 5 MIGRATE LOADS FROM THE EXISTING NON-ESSENTIAL MCC TO MCC-M1.



NO.	REVISIONS	DATE	DESIGN	CHECK
00	ISSUED FOR TENDER, BID OPP. 490-2012	2012/07/23	VE	CJR

		SNC-LAVALIN INC. 148 Nature Park Way Winnipeg, MB, Canada R3P 0X7 204-798-8080	
DESIGNED BY:	V. ELIMBAN	CHECKED BY:	C. REIMER
DRAWN BY:	M.J. PERSSON	APPROVED BY:	C. REIMER
SCALE:	NTS	RELEASED FOR CONSTRUCTION BY:	
DATE:	2011/12/21	DATE:	
CONSULTANT NO.:	508955-0000-47DD-0037		

ENGINEER'S SEAL

PRELIMINARY
NOT TO BE
USED FOR
CONSTRUCTION

THE CITY OF WINNIPEG
WATER AND WASTE DEPARTMENT

MACLEAN WATER PUMPING STATION

CONSTRUCTION PLAN
ELECTRICAL ROOM
PHASE 2

CITY DRAWING NUMBER	1-0630M-E0037	SHEET	001	REV.	00	SIZE	A1
---------------------	---------------	-------	-----	------	----	------	----

1-0630M-E0022	SINGLE LINE DIAGRAM - OVERVIEW
DRAWING NUMBER	REFERENCE DRAWINGS