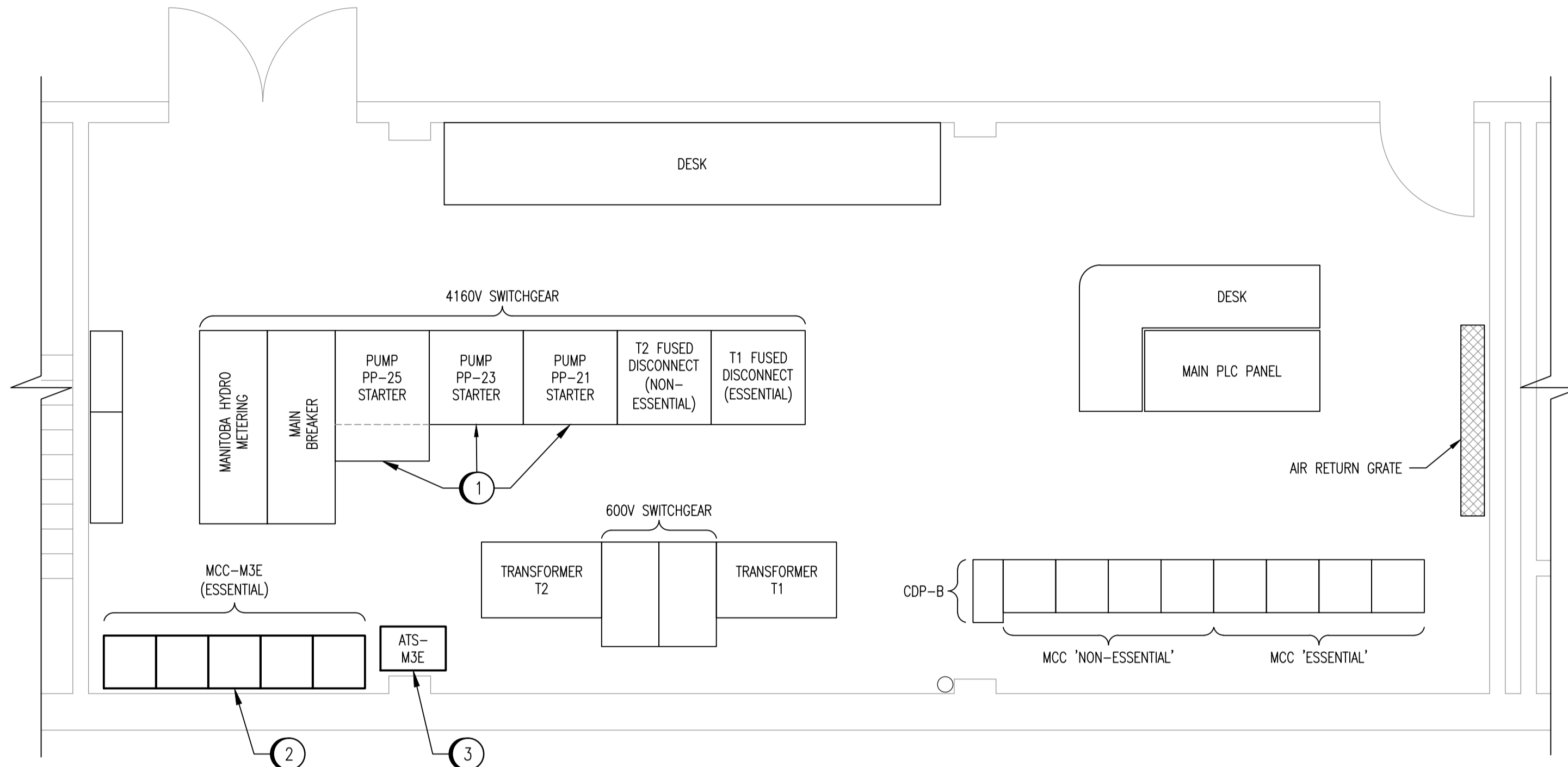


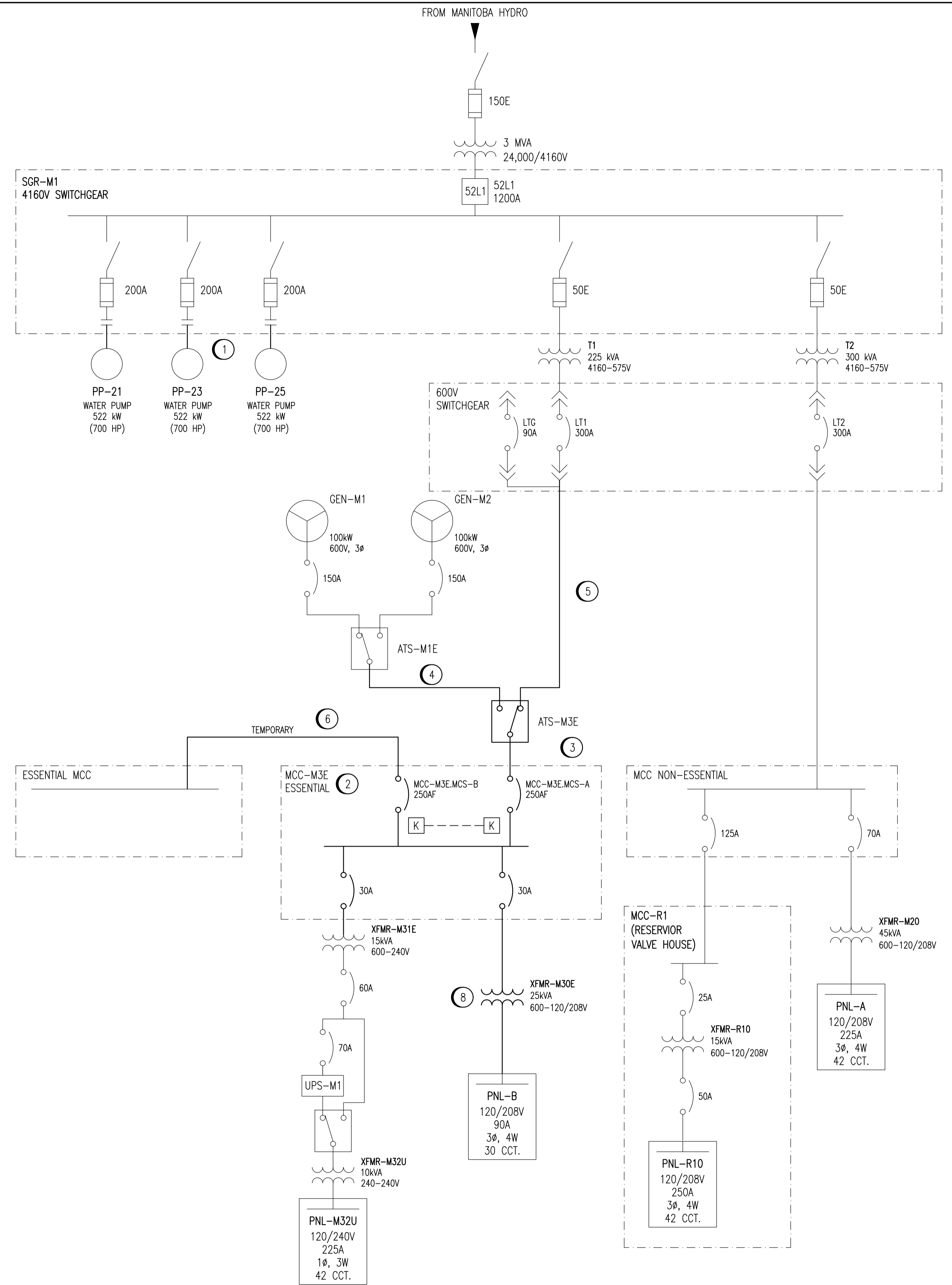
LEGEND:

- EXISTING
- NEW WORK
- DEMOLITION



CONSTRUCTION SEQUENCE:

- 1 REROUTE AND SHORTEN THE 4160V MOTOR CABLES TO ACCOMMODATE THE NEW CABLE TRAY.
- 2 INSTALL NEW ESSENTIAL MCC, MCC-M3E.
- 3 INSTALL NEW TRANSFER SWITCH, ATS-M3E. CONNECT OUTPUT OF ATS-M3E TO THE PRIMARY MAIN MOULDED CASE SWITCH WITHIN MCC-M3E.
- 4 DISCONNECT THE OUTPUT OF ATS-M1E FROM THE LTG BREAKER WITHIN THE 600V SWITCHGEAR. CONNECT THE OUTPUT OF ATS-M1E TO THE INPUT OF ATS-M3E.
- 5 DISCONNECT THE 600V SWITCHGEAR LT1/LTG OUTPUT FROM THE ESSENTIAL MCC. CONNECT THE LT1/LTG OUTPUT TO THE INPUT OF ATS-M3E WITH CABLE C-ATS-M3E-A. ENSURE THE LENGTH IS SUFFICIENT FOR LATER CONNECTION FROM DP-M2.
- 6 TEMPORARILY FEED THE ESSENTIAL MCC FROM MCC-M3E WITH A TEMPORARY 3C, 250 MCM, TECK90 CABLE.
- 7 MOVE ESSENTIAL LOADS FROM EXISTING ESSENTIAL MCC TO MCC-M3E.
- 8 REPLACE XFMR-LP-B WITH CITY SUPPLIED 25KVA TRANSFORMER, XFMR-M30E.



1-0630M-E0022	SINGLE LINE DIAGRAM - OVERVIEW
DRAWING NUMBER	REFERENCE DRAWINGS



NO.	REVISIONS	DATE	DESIGN	CHECK
00	ISSUED FOR TENDER, BID OPP: 490-2012	2012/07/23	VE	CJR

 SNC-LAVALIN INC. 148 Nature Park Way Winnipeg, MB, Canada R3P 0X7 204-786-8080	
DESIGNED BY: V. ELIMBAN	CHECKED BY: C. REIMER
DRAWN BY: M.J. PERSSON	APPROVED BY: C. REIMER
SCALE: NTS	RELEASED FOR CONSTRUCTION BY: DATE:
DATE: 2011/12/15	DATE:
CONSULTANT NO.: 508955-0000-47DD-0036	

ENGINEER'S SEAL
PRELIMINARY
 NOT TO BE
 USED FOR
 CONSTRUCTION

 THE CITY OF WINNIPEG WATER AND WASTE DEPARTMENT	
MACLEAN WATER PUMPING STATION	
CONSTRUCTION PLAN ELECTRICAL ROOM PHASE 1	
CITY DRAWING NUMBER 1-0630M-E0036	SHEET REV. SIZE 001 00 A1