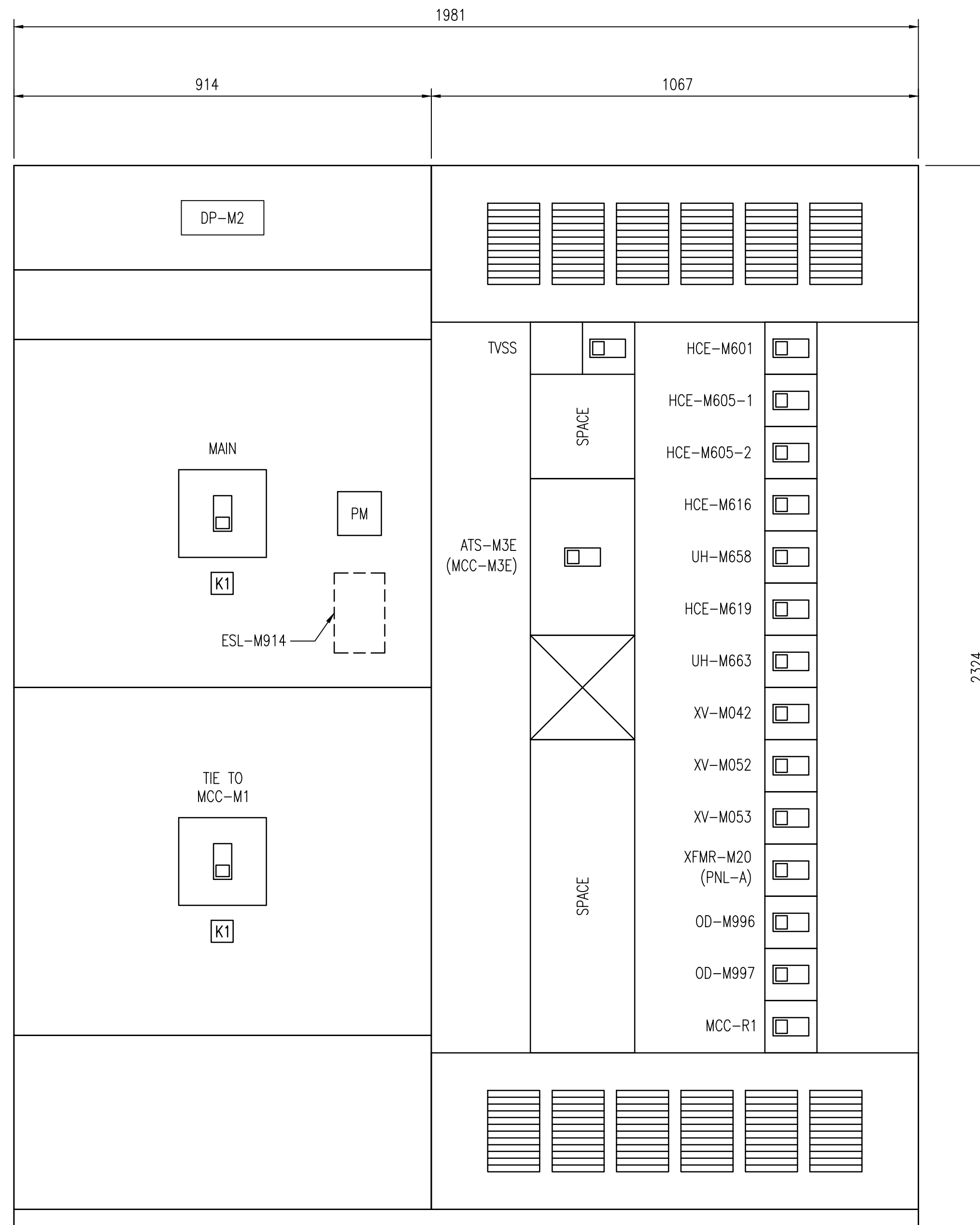


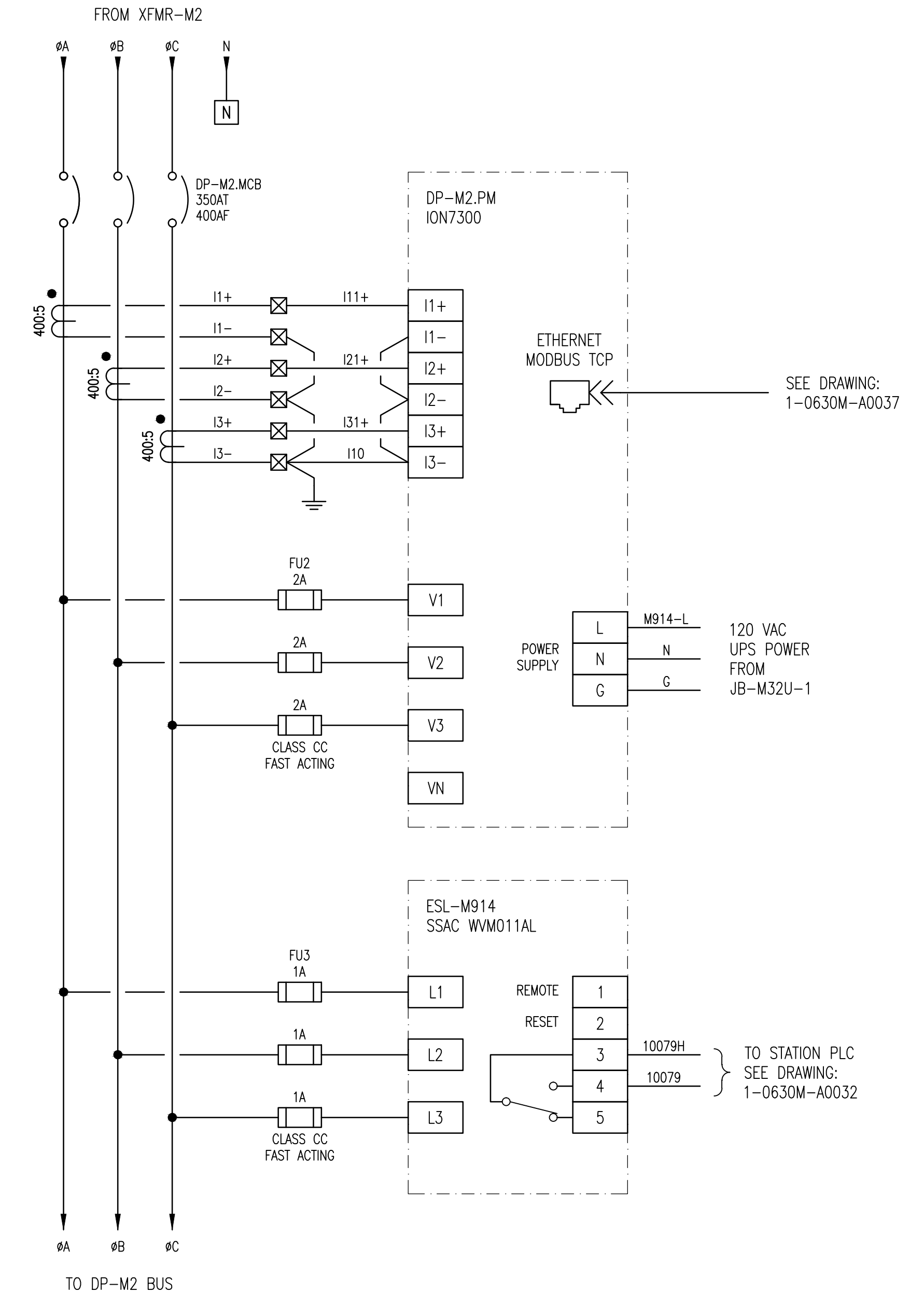
PANEL ID: <b>DP-M2</b>		AMPS: <b>600A</b>	VOLTS: <b>600V</b>	PHASE: <b>3P</b>	WIRE: <b>4W</b>					
DESCRIPTION: <b>NON-ESSENTIAL DISTRIBUTION PANEL</b>		LOCATION: <b>ELECTRICAL ROOM</b>								
MIN INTERRUPTING RATING: <b>18 kA</b>		MOUNTING & ORIENTATION: <input checked="" type="checkbox"/> SURFACE MOUNT <input type="checkbox"/> TOP FED <input type="checkbox"/> FLUSH MOUNT <input checked="" type="checkbox"/> BOTTOM FED								
PANEL MFG: <b>SQUARE D</b>		MODEL: <b>QED I-LINE</b>								
MAIN BREAKER: <b>400AF</b>		TRIP RATING: <b>350A</b>								
MODEL: <b>LGL 36400U43X</b>		MAIN BREAKER TYPE: <b>LSI</b>								
SETTINGS: <b>SEE BELOW</b>										
BKR ID	DESCRIPTION	TYPE	TRIP (A)	SETTINGS	NOTE	WIRE	LOAD (VA)	#A	#B	#C
CB-HCE-M601	HCE-M601 ELECTRIC HEATER FOR AHU-M601 (WAS E2)	TM	80			1	60000	X	X	X
CB-HCE-M605-1	HCE-M605-1 ELECTRIC HEATER FOR AHU-M605 (WAS E4)	TM	20			10	12000	X	X	X
CB-HCE-M605-2	HCE-M605-2 ELECTRIC HEATER FOR AHU-M605 (WAS E5)	TM	15			12	10000	X	X	X
CB-HCE-M616	HCE-M616 CL2 EQUIPMENT ROOM PREHEAT (WAS E6)	TM	15			12	10000	X	X	X
CB-UH-M658	UH-M658 CL2 SCALE ROOM UNIT HEATER (WAS E8)	TM	20			10	15000	X	X	X
CB-HCE-M619	HCE-M619 CL2 SCALE ROOM PREHEAT (WAS E9)	TM	20			10	12000	X	X	X
CB-UH-M663	UH-M663 AMMONIA ROOM UNIT HEATER (WAS E13)	TM	15			12	5000	X	X	X
CB-XV-M042	XV-M042 SUCTION HEADER BUTTERFLY VALVE (WAS SHV-2)	TM	15			12	3014	X	X	X
CB-XV-M052	XV-M052 DISCHARGE HEADER BUTTERFLY VALVE (WAS DHV-2)	TM	15			12	3014	X	X	X
CB-XV-M053	XV-M053 DISCHARGE HEADER BUTTERFLY VALVE (WAS DHV-3)	TM	15			12	3014	X	X	X
CB-OD-M996	OD-M996 PUMP ROOM MOTORIZED DOOR (WAS D1)	TM	15		6	12	3014	X	X	X
CB-OD-M997	OD-M997 CL2 ROOM MOTORIZED DOOR (WAS D2)	TM	15		6	12	3014	X	X	X
CB-XFMR-M20	XFMR-M20 PNL-A TRANSFORMER	LI	50	BELOW		3	45000	X	X	X
CB-MCC-R1	MCC-R1 RESERVOIR VALVE HOUSE	TM	110			3/0	85813	X	X	X
CB-ATS-M3E-A	ATS-M3E MCC-M3E AUTOMATIC TRANSFER SWITCH	LSI	225	BELOW		2	250 MCM	117110	X	X
CB-TVSS	TRANSIENT VOLTAGE SURGE SUPPRESSOR	TM				5		0	X	X
CB-DP-M2-T	MCC-M1/ DP-M2 TIE	TM	400			3, 4	500 MCM	0	X	X
TOTAL CONNECTED LOAD:		376 kVA		PHASE A: 125.5 kVA		361.6 A				
DEMAND LOAD-SUMMER:		124 VA		PHASE B: 125.5 kVA		361.6 A				
DEMAND LOAD-WINTER:		242 VA		PHASE C: 125.5 kVA		361.6 A				
NOTES:										
1. ALL BREAKERS MUST MEET THE MINIMUM INTERRUPTING RATING.										
2. PRIMARY FEED TO MCC-M3E, NORMALLY CLOSED.										
3. TIE BREAKER IS NORMALLY OPEN.										
4. CB-DP-M2-T TO BE KIRK-KEY INTERLOCKED WITH DP-M2.MCB, MCC-M1.MCB AND CB-MCC-M1-T.										
5. RATING OF CB-TVSS TO BE DETERMINED BY MANUFACTURER.										
6. LOAD RATING ASSUMED.										

**DP-M2 SCHEDULE**  
SCALE: NTS

MOULDED CASE BREAKER SETTINGS									
BRK ID	SENSOR	PLUG	LTPU	LTD	STPU	STD	INST	GFPU	GFD
DP-M2.MCB	400A	400A	350A	16	6	0.2	12	N/A	N/A
CB-ATS-M3E-A	250A	250A	225A	16	7	0.1	12	N/A	N/A
CB-XFMR-M20	150A	60A	50A	8	N/A	N/A	12	N/A	N/A



**DP-M2 ELEVATION**  
SCALE: 1:8



**DETAIL: DP-M2 POWER METER AND VOLTAGE MONITOR**  
SCALE: NTS

**LEGEND:**

	KIRK KEY INTERLOCK
	CT SHORTING BLOCK TERMINAL

1-0630M-E0066	JB-M32U-1 LAYOUT AND SCHEMATIC
1-0630M-E0024	SINGLE LINE DIAGRAM - DP-M2
DRAWING NUMBER	REFERENCE DRAWINGS



NO.	REVISIONS	DATE	DESIGN	CHECK
00	ISSUED FOR TENDER, BID OPP: 490-2012	2012/07/23	BJC	CJR

 SNC-LAVALIN INC. 148 Nature Park Way Winnipeg, MB, Canada R3P 0X7 204-786-8080	
DESIGNED BY: B. CLEVEN	CHECKED BY: C. REIMER
DRAWN BY: M.J. PERSSON	APPROVED BY: C. REIMER
SCALE: AS SHOWN	RELEASED FOR CONSTRUCTION BY:
DATE: 2012/01/04	DATE:
CONSULTANT NO.: 508955-0000-47DD-0029	

ENGINEER'S SEAL  
**PRELIMINARY**  
NOT TO BE USED FOR CONSTRUCTION

 THE CITY OF WINNIPEG WATER AND WASTE DEPARTMENT	
MACLEAN WATER PUMPING STATION	
PANEL SCHEDULE AND DETAILS DP-M2	
CITY DRAWING NUMBER <b>1-0630M-E0029</b>	SHEET REV. SIZE <b>001 00 A1</b>