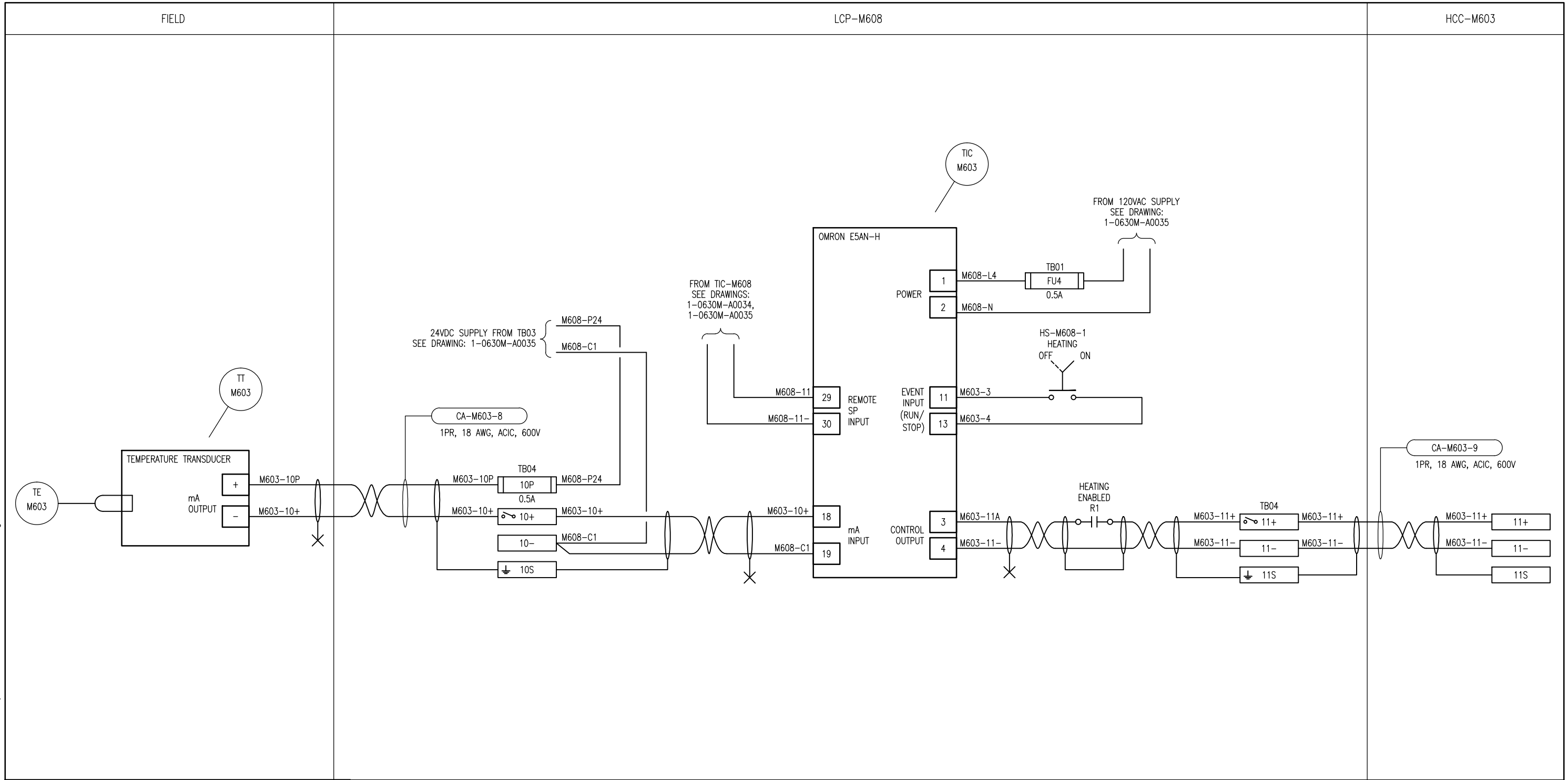


B SIZE - 279mm x 432mm

General DWG\1-0630M-A0036-001-00.dwg

LAST SAVE: 2012/07/27 - 8:08am
 PATH: M:\508955\4ENG\48&c\DD -



NOTES

1. TT-M603 TO BE 24VDC LOOP POWERED.
2. CONFIGURE TIC-M601 TO TURN OFF THE CONTROL OUTPUT IN STOP MODE.



SNC-LAVALIN INC.
 148 Nature Park Way
 Winnipeg, MB, Canada R3P 0X7
 204-786-8080

ENGINEER'S SEAL

PRELIMINARY
 NOT TO BE
 USED FOR
 CONSTRUCTION



MACLEAN WATER PUMPING STATION
 LOOP DIAGRAM
 AHU-M603 DISCHARGE AIR TEMPERATURE
 LOOP M603

NO.	REVISIONS	DATE	DESIGN	CHECK
00	ISSUED FOR TENDER, BID OPP. 490-2012	2012/07/23	BJC	CJR

DESIGNED BY: B. CLEVEN	CHECKED BY: C. REIMER
DRAWN BY: M.J. PERSSON	APPROVED BY: C. REIMER
SCALE: NTS	DATE: 2012/05/27
RELEASED FOR CONSTRUCTION	
DATE:	
CONSULTANT NO.:	
508955-0000-48DD-0036	

CITY DRAWING NUMBER	SHEET	REV.	SIZE
1-0630M-A0036	001	00	B