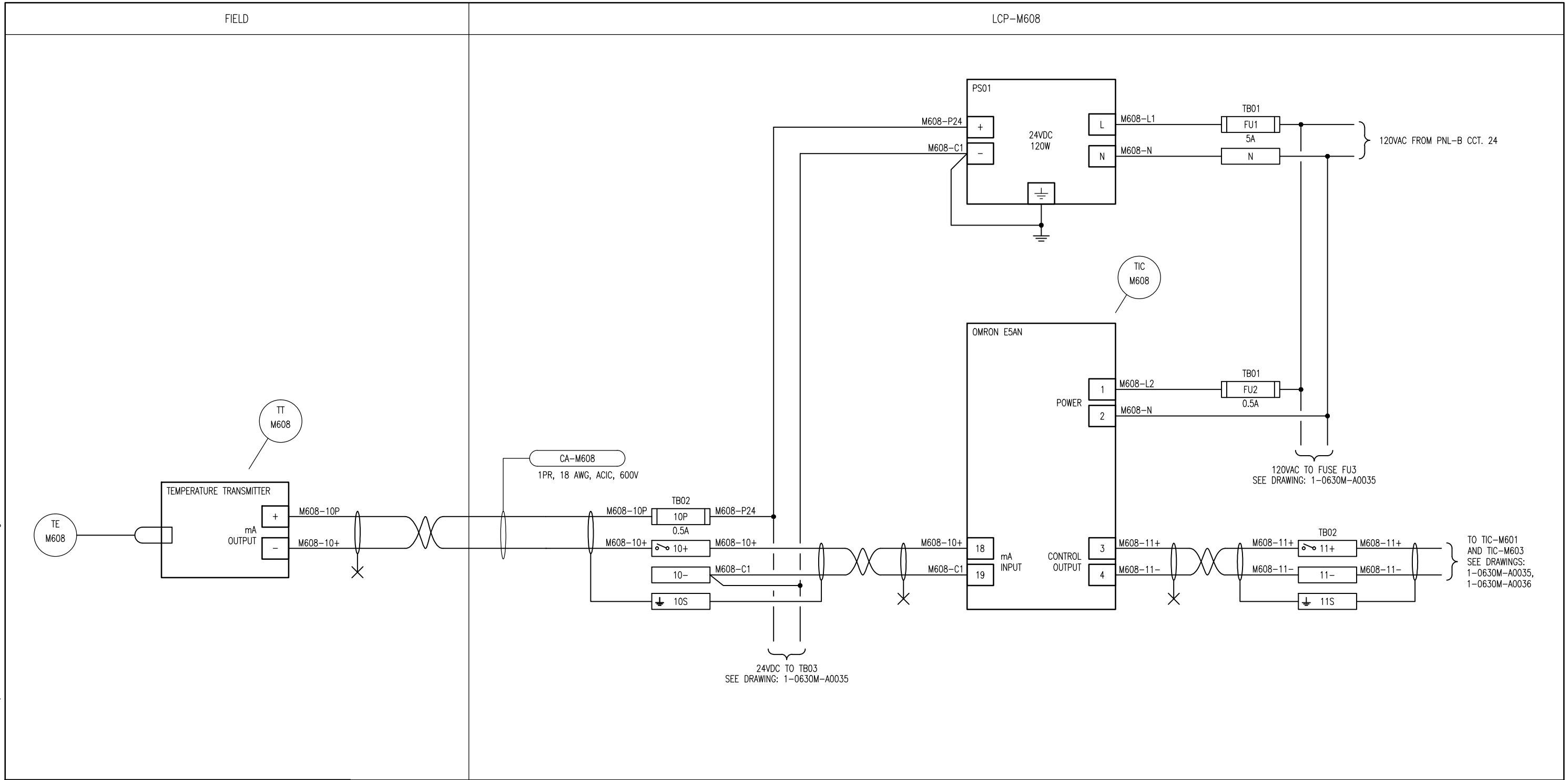


B SIZE - 279mm x 432mm

General DWG\1-0630M-A0034-001-00.dwg

LAST SAVE: 2012/07/27 - 8:07am  
 PATH: M:\508955\4ENG\48&c\DD -



**NOTES**

- TT-M608 TO BE 24VDC LOOP POWERED.

SNC-Lavalin Inc.  
No. 4489

| NO. | REVISIONS                            | DATE       | DESIGN | CHECK |
|-----|--------------------------------------|------------|--------|-------|
| 00  | ISSUED FOR TENDER, BID OPP. 490-2012 | 2012/07/23 | BJC    | CJR   |

**SNC-LAVALIN INC.**  
 148 Nature Park Way  
 Winnipeg, MB, Canada R3P 0X7  
 204-786-8080

|  |                           |
|--|---------------------------|
| DESIGNED BY:<br>B. CLEVEN                | CHECKED BY:<br>C. REIMER  |
| DRAWN BY:<br>M.J. PERSSON                | APPROVED BY:<br>C. REIMER |
| SCALE:<br>NTS                            | DATE:<br>2012/05/27       |
| RELEASED FOR CONSTRUCTION<br>DATE:       |                           |
| CONSULTANT NO.:<br>508955-0000-48DD-0034 |                           |

ENGINEER'S SEAL

**PRELIMINARY**

NOT TO BE  
USED FOR  
CONSTRUCTION

**THE CITY OF WINNIPEG**  
WATER AND WASTE DEPARTMENT

MACLEAN WATER PUMPING STATION

LOOP DIAGRAM  
PUMP ROOM TEMPERATURE  
LOOP M608

|                     |       |      |      |
|---------------------|-------|------|------|
| CITY DRAWING NUMBER | SHEET | REV. | SIZE |
| 1-0630M-A0034       | 001   | 00   | B    |