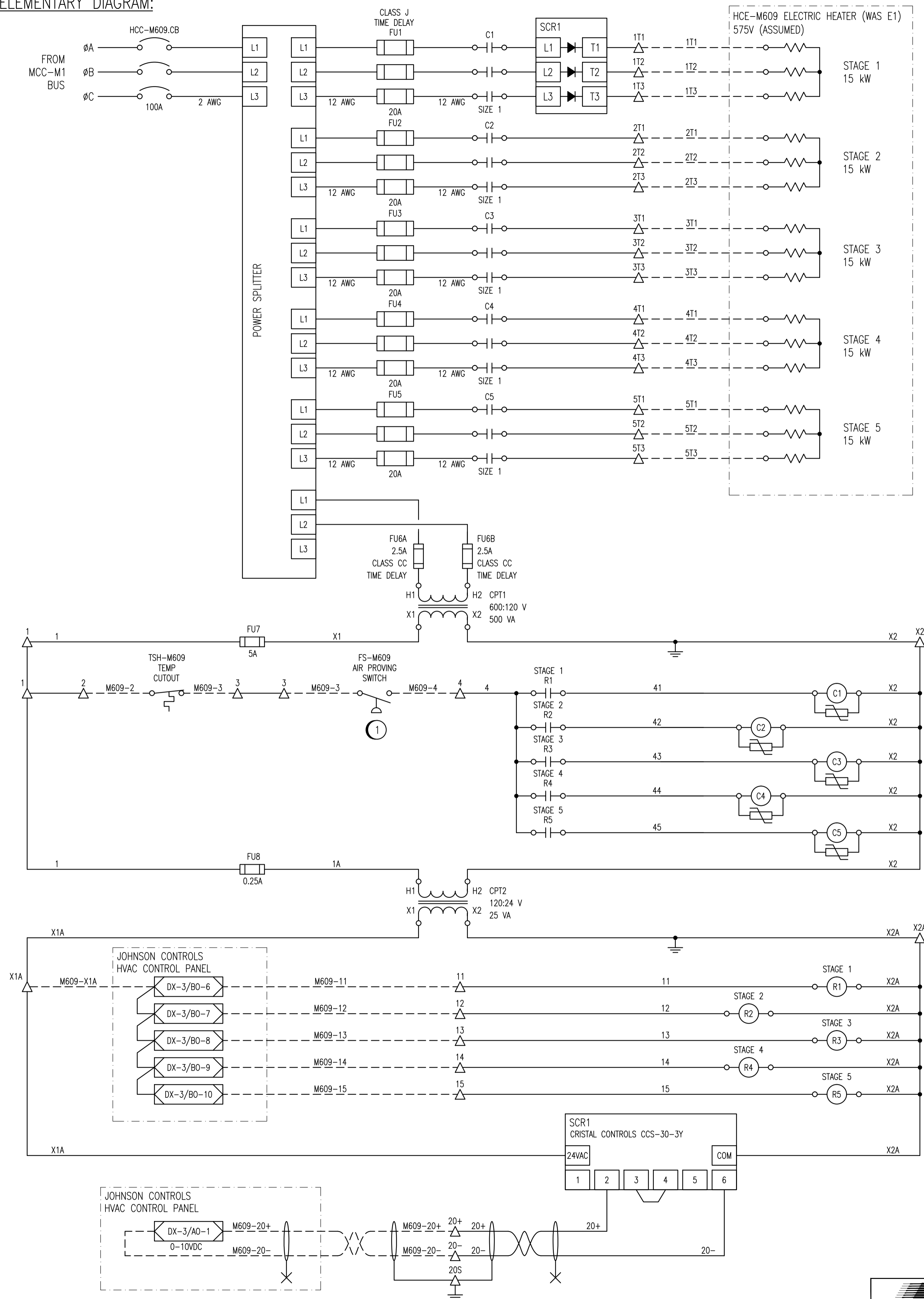
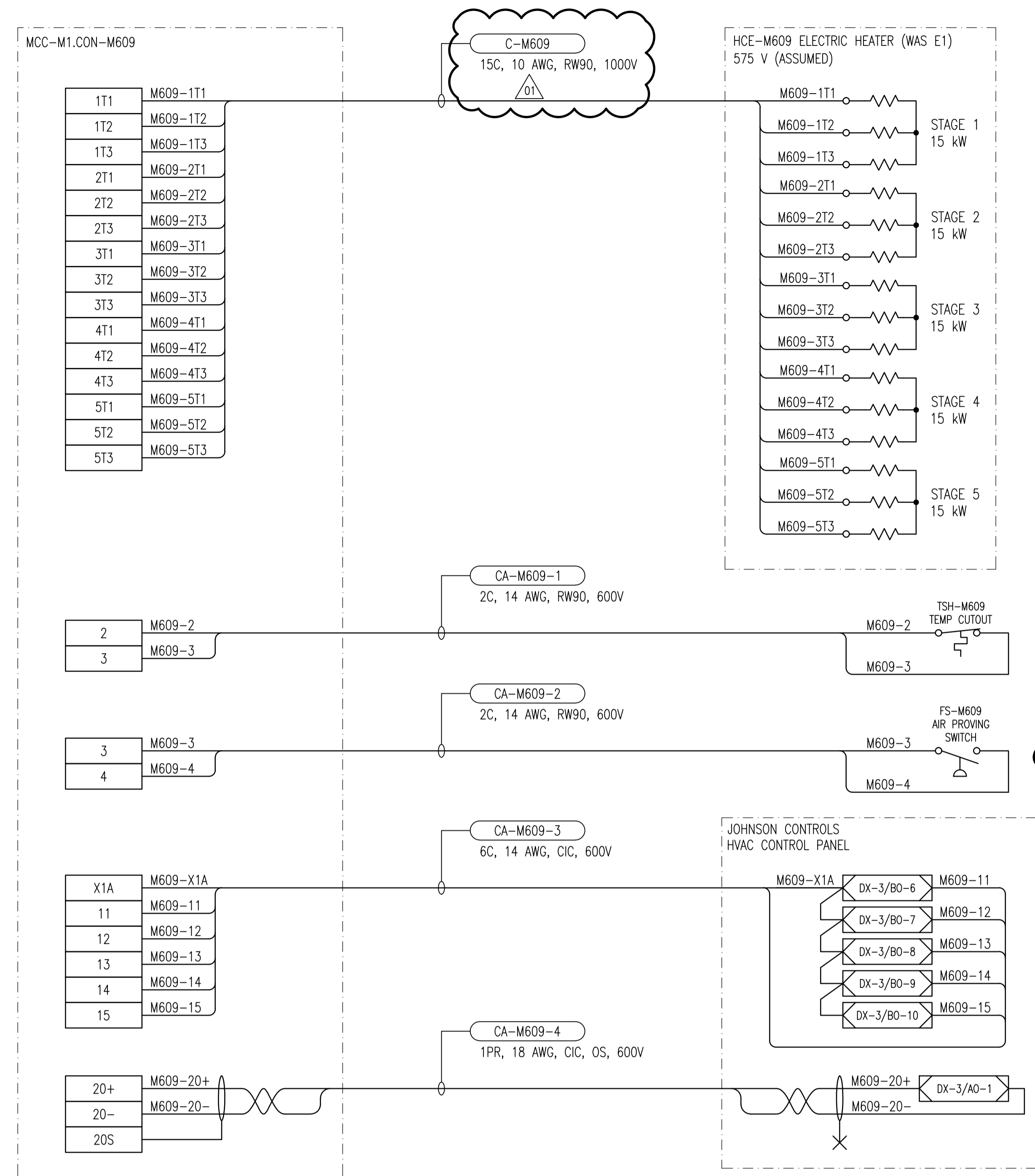


A1 SIZE - 594mm x 841mm
 LAST SAVE: 2012/08/22 - 3:16pm
 PATH: M:\508955\ENGR\47ELE.DWG - General DWG\1-0630M-E0063-001-01.dwg

ELEMENTARY DIAGRAM:



CONNECTION DIAGRAM:



CONSTRUCTION NOTES:

- 1 SUPPLY AND INSTALL NEW AIR PROVING SWITCH.



NO.	REVISIONS	DATE	DESIGN	CHECK
01	ADDENDUM 2, BID OPP. 490-2012	2012/08/22	BJC	CJR
00	ISSUED FOR TENDER, BID OPP. 490-2012	2012/07/23	BJC	CJR

		SNC-LAVALIN INC. 148 Nature Park Way Winnipeg, MB, Canada R3P 0X7 204-786-8080	
DESIGNED BY:	B. CLEVEN	CHECKED BY:	C. REIMER
DRAWN BY:	M.J. PERSSON	APPROVED BY:	C. REIMER
SCALE:	NTS	RELEASED FOR CONSTRUCTION BY:	
DATE:	2012/01/03	DATE:	
CONSULTANT NO.:	508955-0000-47DD-0061		

ENGINEER'S SEAL
PRELIMINARY
 NOT TO BE
 USED FOR
 CONSTRUCTION

THE CITY OF WINNIPEG
 WATER AND WASTE DEPARTMENT
 MACLEAN WATER PUMPING STATION
 CONTACTOR SCHEMATIC
 HCE-M609
 PREHEAT DUCT HEATER
 CITY DRAWING NUMBER: 1-0630M-E0063
 SHEET: 001
 REV: 01
 SIZE: A1