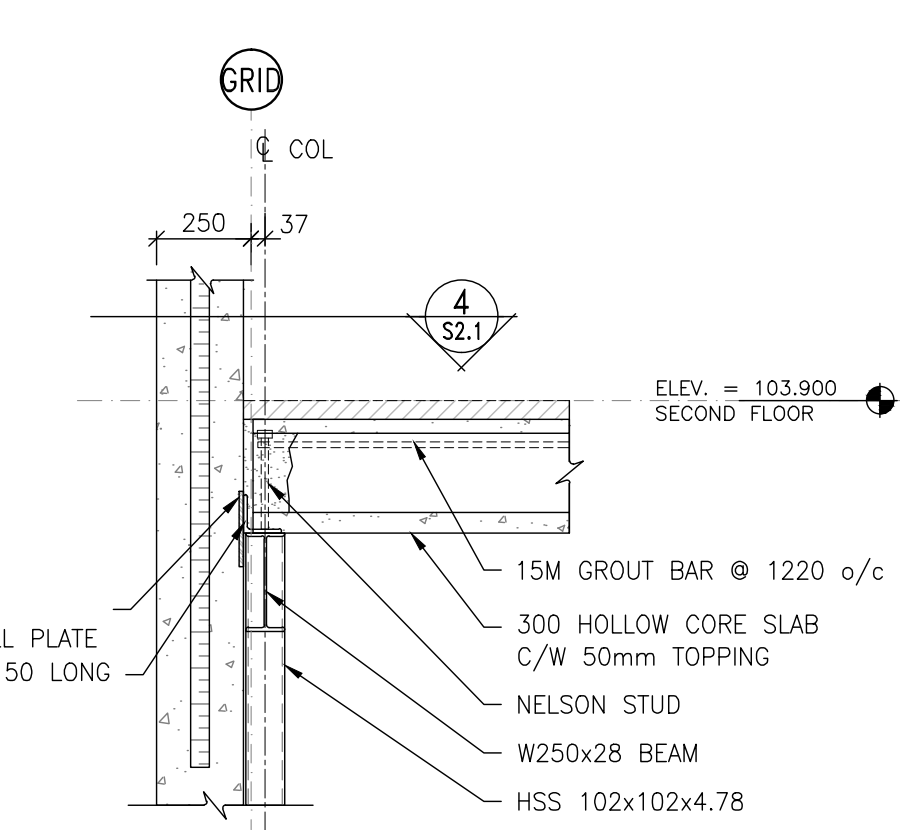
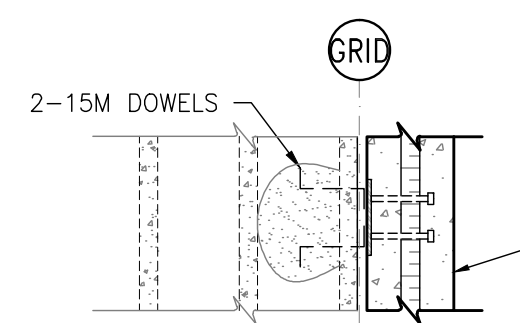


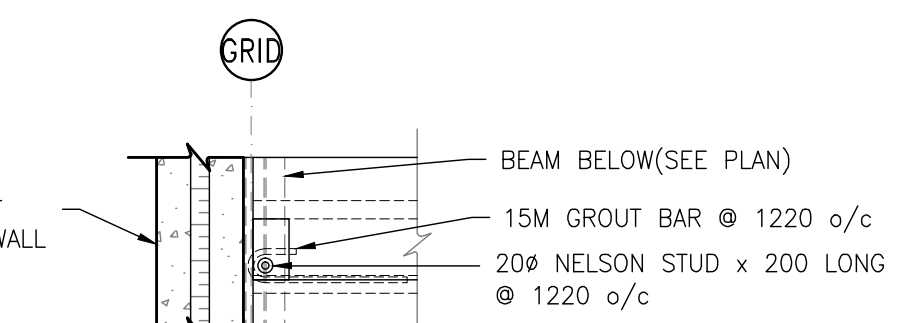
1 SECTION  
S2.1 SCALE 1:20



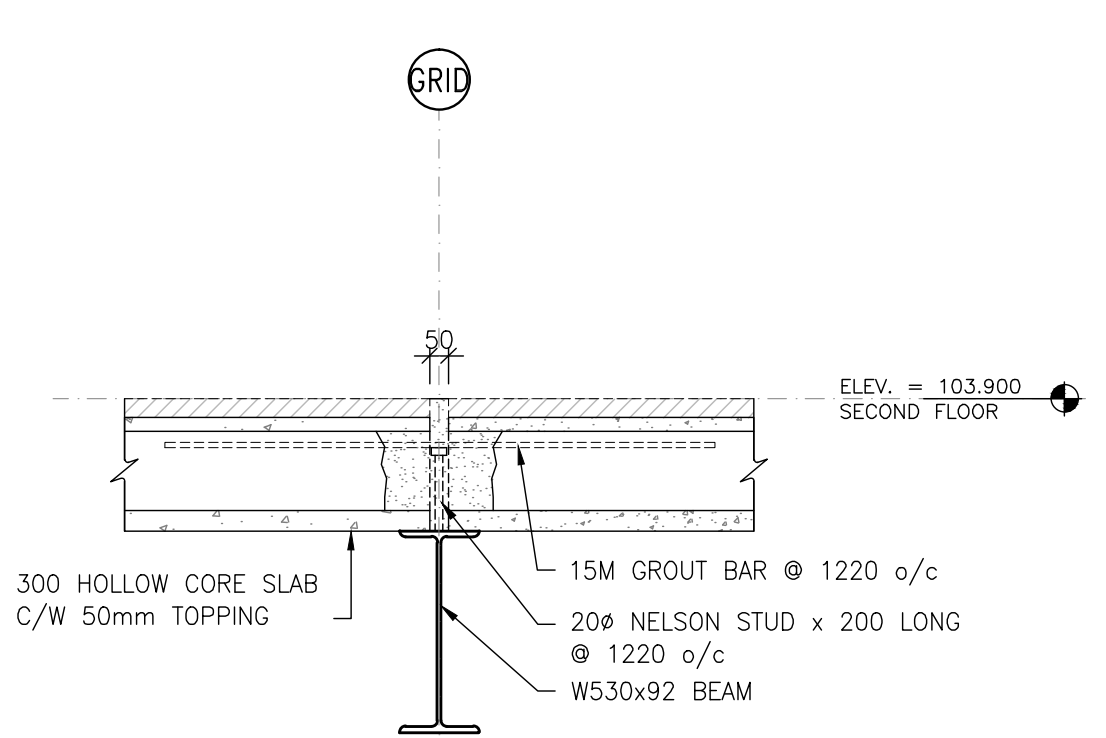
3 SECTION  
S2.1 SCALE 1:20



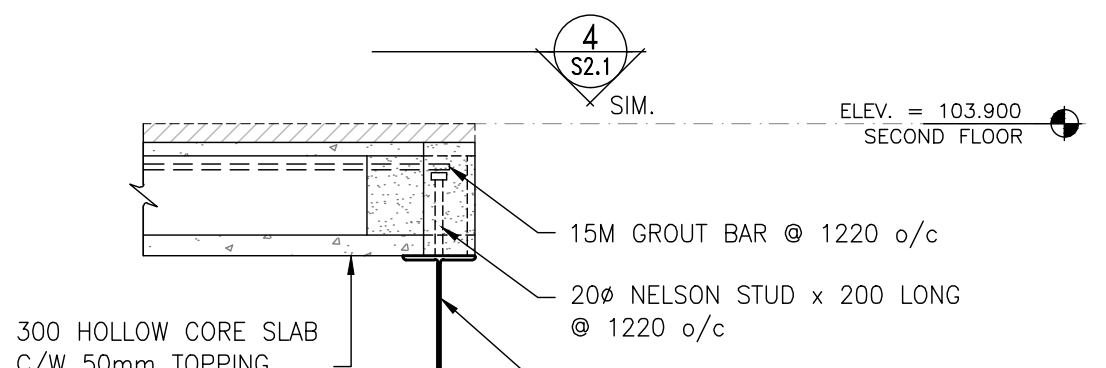
2 SECTION  
S2.1 SCALE 1:20



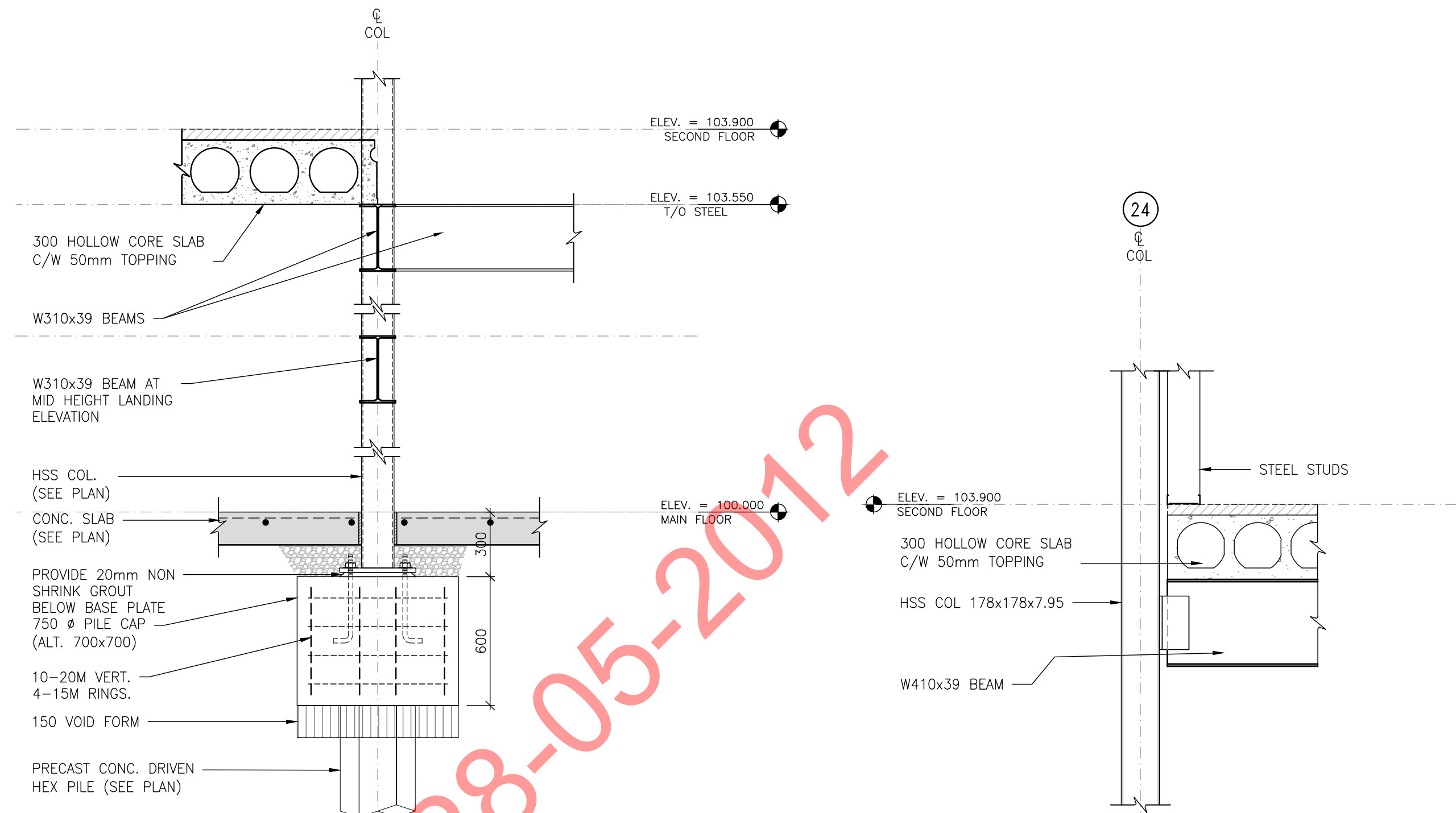
4 SECTION  
S2.1 SCALE 1:20



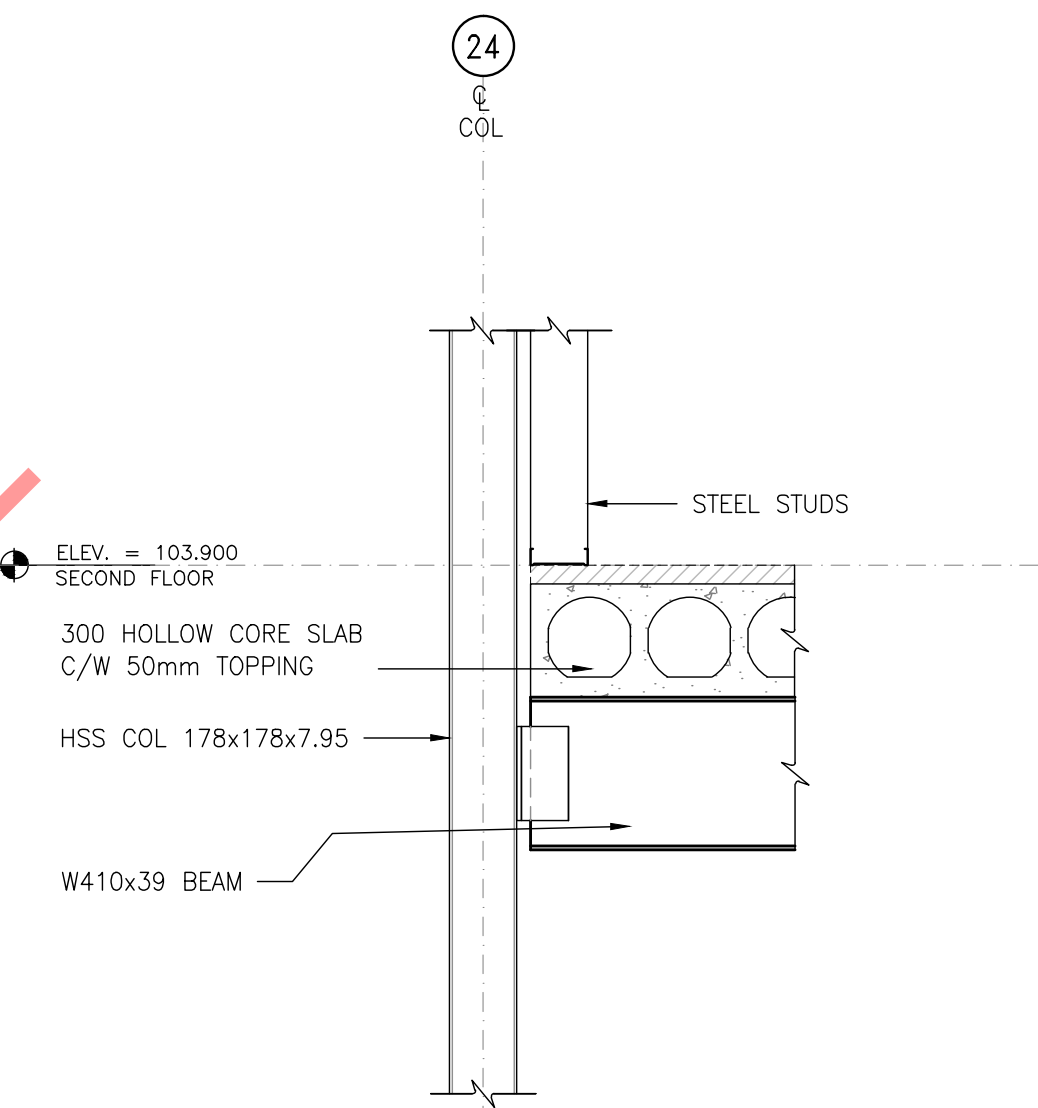
5 SECTION  
S2.1 SCALE 1:20



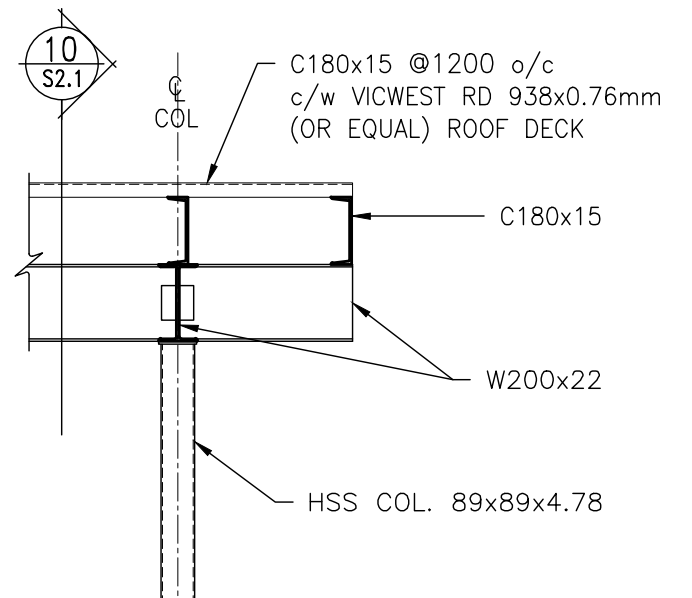
6 SECTION  
S2.1 SCALE 1:20



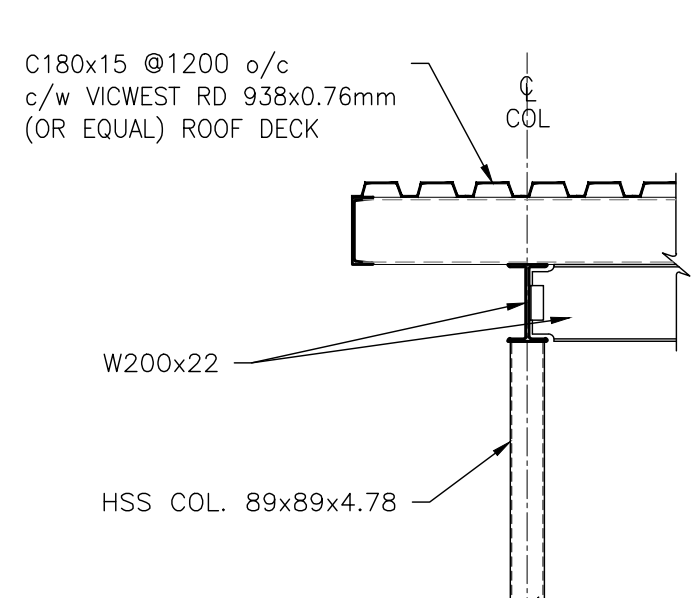
7 STAIRS SECTION  
S2.1 SCALE 1:20



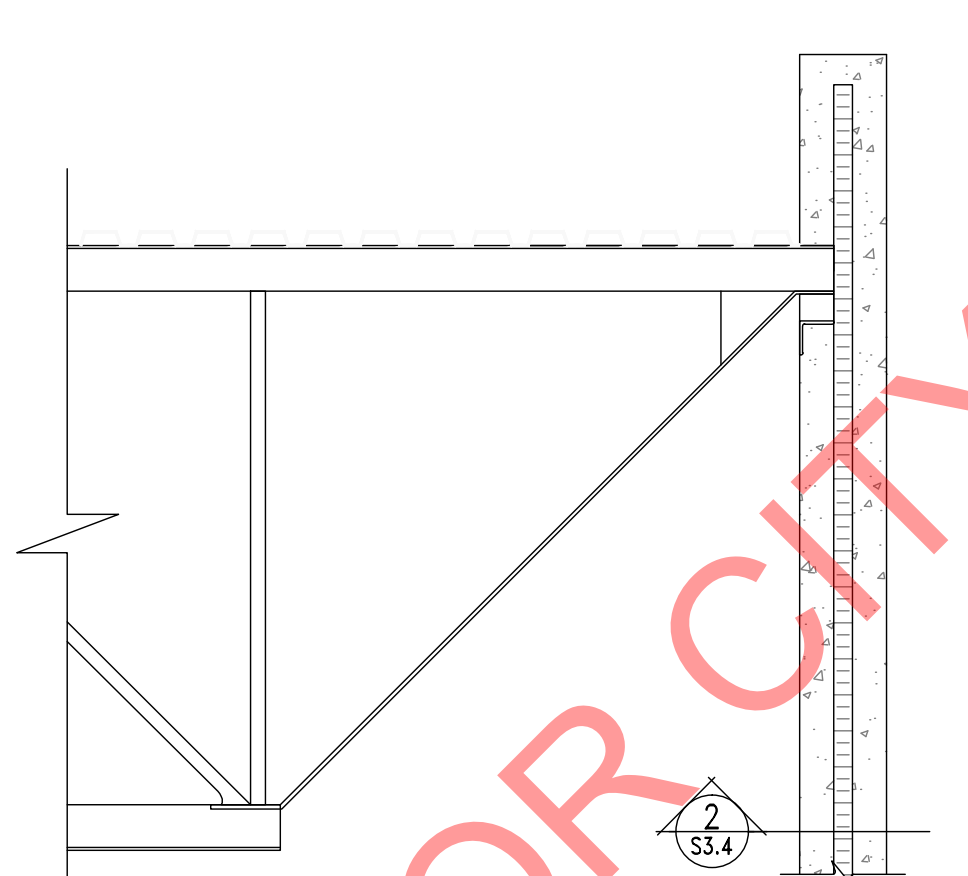
8 SECTION  
S2.1 SCALE 1:20



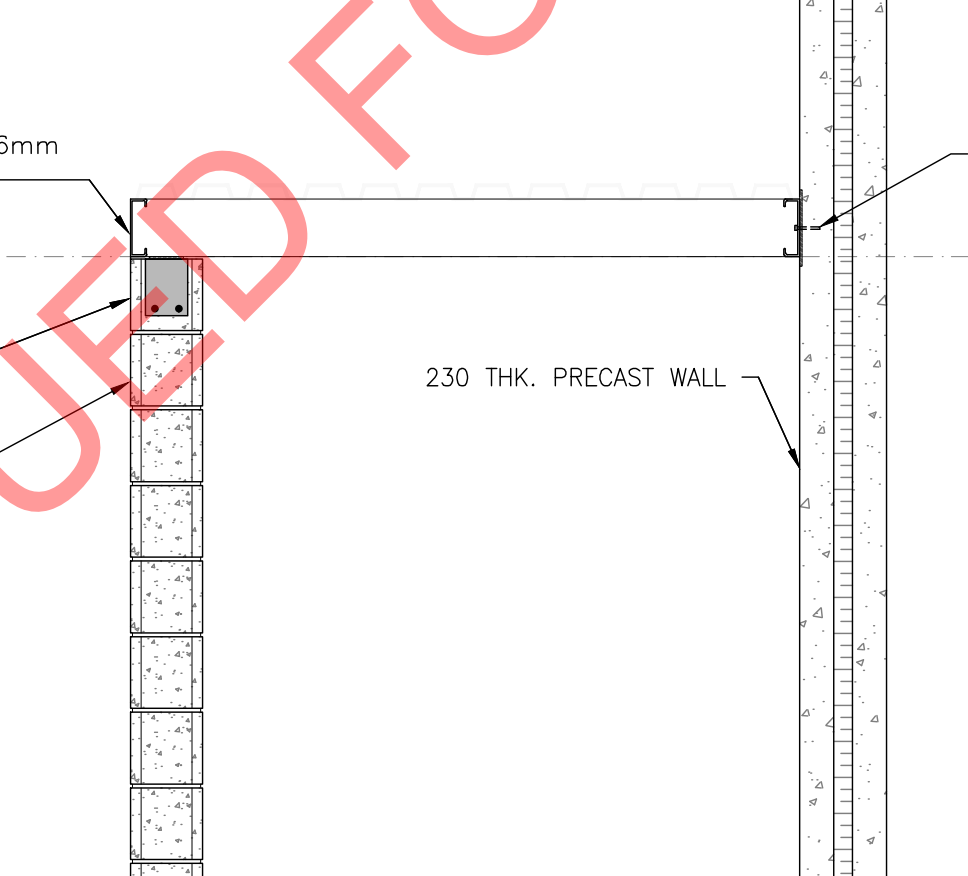
9 SECTION  
S2.1 SCALE 1:20



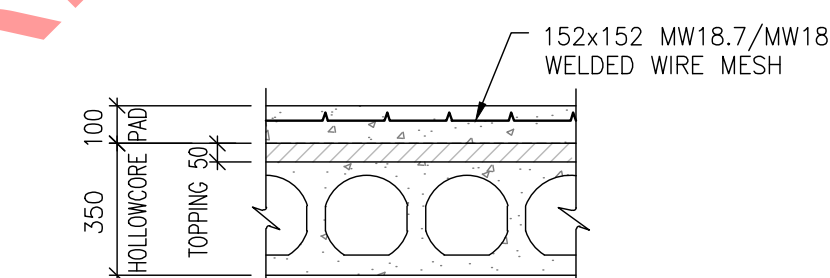
10 SECTION  
S2.1 SCALE 1:20



11 SECTION  
S2.1 SCALE 1:20

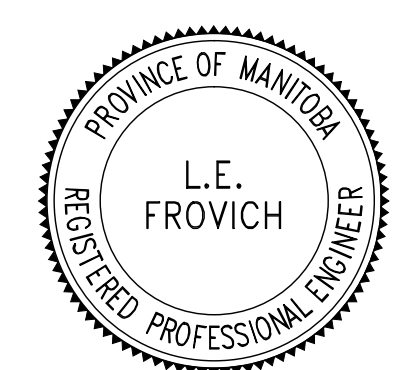


12 SECTION  
S2.1 SCALE 1:20



13 HOUSE KEEPING PAD DETAIL TYP.  
S2.1 SCALE 1:20

ISSUED FOR CITY REVIEW 28-05-2012



REV	DESCRIPTION	DATE	BY
5	ISSUED FOR CONSTRUCTION	4 APR. 2012	CM
4	REISSUED FOR PERMIT	15 MAR. 2012	CM
3	66% DESIGN DWGS.	5 MAR. 2012	CM
2	ISSUED FOR FOUNDATION PERMIT	20 JAN. 2012	CM
1	33% DESIGN DWGS.	6 JAN. 2012	CM

**Frovich & Associates**  
120 St. Annes Road  
Winnipeg, MB  
R2M 2Z2  
(204) 254-0666

**ERNST HANSCH**  
CONSTRUCTION LTD.

3 TERRACON PLACE  
WINNIPEG, CANADA R2J 4B3  
TEL. (204) 233 7881  
FAX (204) 233 4733  
general@ehansch.com  
www.ehansch.com

CLIENT: CITY OF WINNIPEG  
PUBLIC WORKS DEPARTMENT  
PROJECT NUMBER: 1511  
DRAWN BY: CM  
DATE: MAR. 12, 2012  
SCALE: AS NOTED

PROJECT TITLE:  
**CITY OF WINNIPEG  
PUBLIC WORKS EAST YARD COMPLEX**  
MAIN OFFICE & GARAGES  
SHEET TITLE:  
**2ND FLOOR DETAILS**

SHEET NUMBER:  
**S2.1**  
REVISION NUMBER:  
5