

SYMBOL SCHEDULE

- Fluorescent luminaire, B1-A - denotes panel circuit No. and switch.
- Ceiling mounted luminaire.
- Wall mounted luminaire. 'A' denotes type.
- Post light
- Single pole Line Voltage switch.
- Single pole Live Voltage switches in multiple.
- Single pole Low Voltage switch.
- Single pole Low Voltage switches in multiple.
- Single pole switch c/w pilot light.
- Low voltage dimmer switch c/w separate neutral. Wattage to match circuit.
- Duplex receptacle.
- Duplex receptacle mounted above counter level. (See arch. elevations).
- Duplex receptacle mounted on side of counter.
- Duplex receptacle weather proof.
- Duplex receptacle c/w AFCI protection.
- Ground fault duplex receptacle.
- Duplex receptacle on separate circuit (provide lamocoid label indicating "SC").
- 20A-2P split wired receptacle.
- 50A-2P range receptacle, verify location.
- 30A-2P dryer receptacle, verify location.
- Microwave outlet above counter (verify location before installation).
- Duplex receptacle c/w isolated ground-max 4 receptacles on a 15A-1P circuit.
- 20A t-slot duplex receptacle.
- Duplex receptacle to be connected to emergency power. Provide red hospital-grade receptacle.
- Duplex receptacle flush floor mounted. Confirm exact location on site.
- Childproof duplex receptacle.
- Duplex receptacle - half switched.
- Combination voice/data outlet c/w cover plate - Run one(1) - 3/4" conduit to accessible ceiling c/w two (2x) Cat6 communication cables back to patch panels.
- CATV outlet c/w cover plate - Run one(1) - 3/4" conduit to accessible ceiling space or crawlspace.
- Motor. Refer to mechanical for exact location.
- Disconnect switch to suit application. By div. 16.
- Fire alarm pull station.
- Fire alarm audible device, c/w strobe light.
- 120V carbon monoxide alarm c/w hush feature and battery backup. Mount according to manufacturer's directions. Honeywell???
- Junction box.
- Dishwasher.
- Electric hand dryer by Div. 16. Recessed, high flow. Model: World Dryer AIRMAX XRM54-Q974. 240V-1PH, 2300W.
- Photocell by Div. 16.
- Universal LED exit sign. Wire to emergency power supply. Aimlite EXSTU M WHT UNVDC.
- LED pictogram egress sign. Wire to emergency power supply. Aimlite RPVR C WHT UNVDC.
- Egress Sign, cold temp, C/W Heater???
- Battery Pack, C/W Heater.
- Emergency Light Heads - Dual
- Elevator motor. Wire and connect as per elevator supplier's instructions. Provide splitter, fusible disconnect switches, control circuits as required by elevator supplier. Provide 3/4" conduit from splitter location to telephone backboard. Install elevator supplier recommended fuses. Supply conductors to be 2 hour fire rated. Interconnect with fire alarm system???
- Thermostat by Div. 16.
- Temperature Sensor
- Humidistat supplied by Div. 15, wired by Div. 16.
- Special outlet to match owners equipment. Confirm voltage, amperage, poles and configuration prior to installation.
- Chime c/w power, L.V. transformer relay, wiring, etc. by Div. 16. (verify location before installation).
- CCTV camera location. Verify location before installation.???
- Pan, tilt, zoom CCTV camera location. Verify location before installation.???
- Clock
- Ceiling mounted occupancy sensor, line voltage. Sensorswitch.???
- Ceiling mounted occupancy sensor, low voltage, Dual Technology. Sensorswitch.???
- Smoke/Fire damper. Supplied and installed by Div. 15, wired & connected by Div. 16. Coordinate location & requirements with Div. 15. Tie to fire alarm panel.
- Security system card access.
- Security system keypad. Status Annunciator.
- Security system motion detector.
- Security system door contact.
- Electric strike.
- Overhead door pushbutton station.
 - 1. Interior of Door: UP/Down/Stop station
 - 2. Exterior of Door: UP/Down/Stop station
 - 3. Auxiliary Buildings - Exterior of Door: Down/Stop station.
- Fire alarm isolator.
- Fire alarm booster power supply.
- Request to exit.
- Photo electric beam.
- ISWS - Security work station.

HEATING SCHEDULE

TYPE	WATTS	VOLTAGE	DESCRIPTION	MANUFACTURER	CATALOGUE #	REMARK
A	1400	347V/1PH	BASEBOARD	OUELLET	ODB140X-1952	NOTE 1
B	1600	347V/1PH	BASEBOARD	OUELLET	ODB160X-2175	NOTE 1
G	2000	347V/1PH	BASEBOARD	CHROMALOX	BL-8420W51	NOTE 1
FF4	4000	347V/1PH	FORCEFLOW	CHROMALOX	RFV-842051	NOTE 2

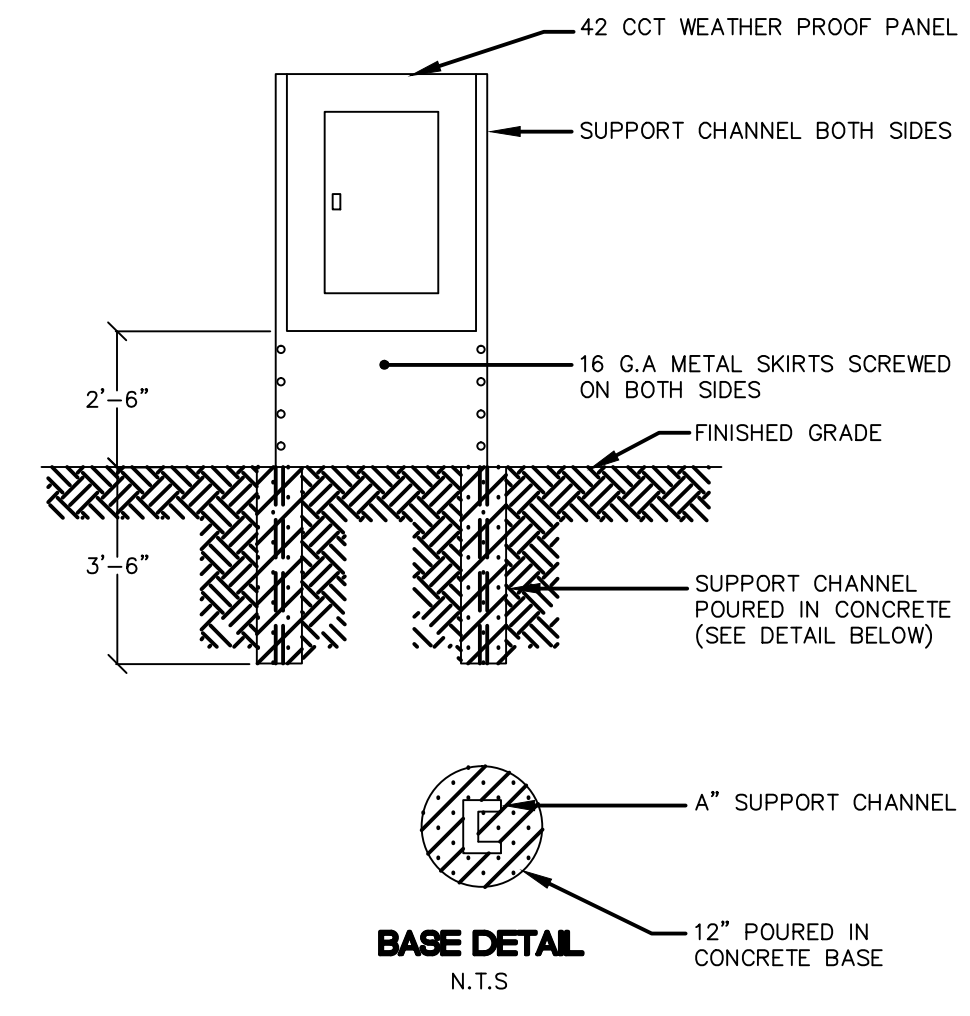
- SPECIFIC HEATING NOTES**
- C/W BUILT-IN THERMOSTAT OR WIRED TO REMOTE THERMOSTAT AS SHOWN ON DRAWINGS
 - RECESSED UNLESS OTHERWISE INDICATED. COMPLETE WITH BUILT-IN THERMOSTAT UNLESS OTHERWISE INDICATED.
 - C/W BUILT-IN THERMOSTAT. MOUNT SECURELY WHERE INDICATED TO THE SATISFACTION OF THE ENGINEER.
 - (GENERAL) VOLTAGE TO BE AS INDICATED ABOVE UNLESS OTHERWISE NOTED ON DRAWINGS.
 - (GENERAL) APPROVED EQUAL: OUELLET.

GENERAL ELECTRICAL NOTES

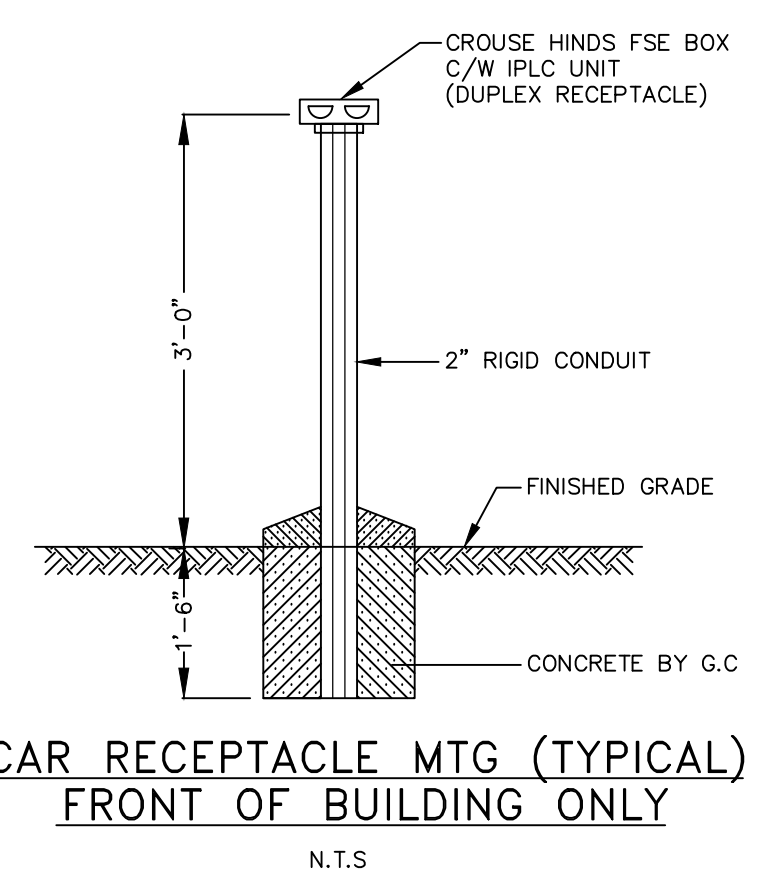
- E.C. TO SUPPLY, INSTALL, WIRE, AND CONNECT EXTERIOR FLOOD LIGHTING TO ACCOMMODATE COMPLETE SITE SIGNAGE SYSTEM, AS REQUIRED.

NOTE TO DESIGN BUILD ELECTRICAL CONTRACTOR

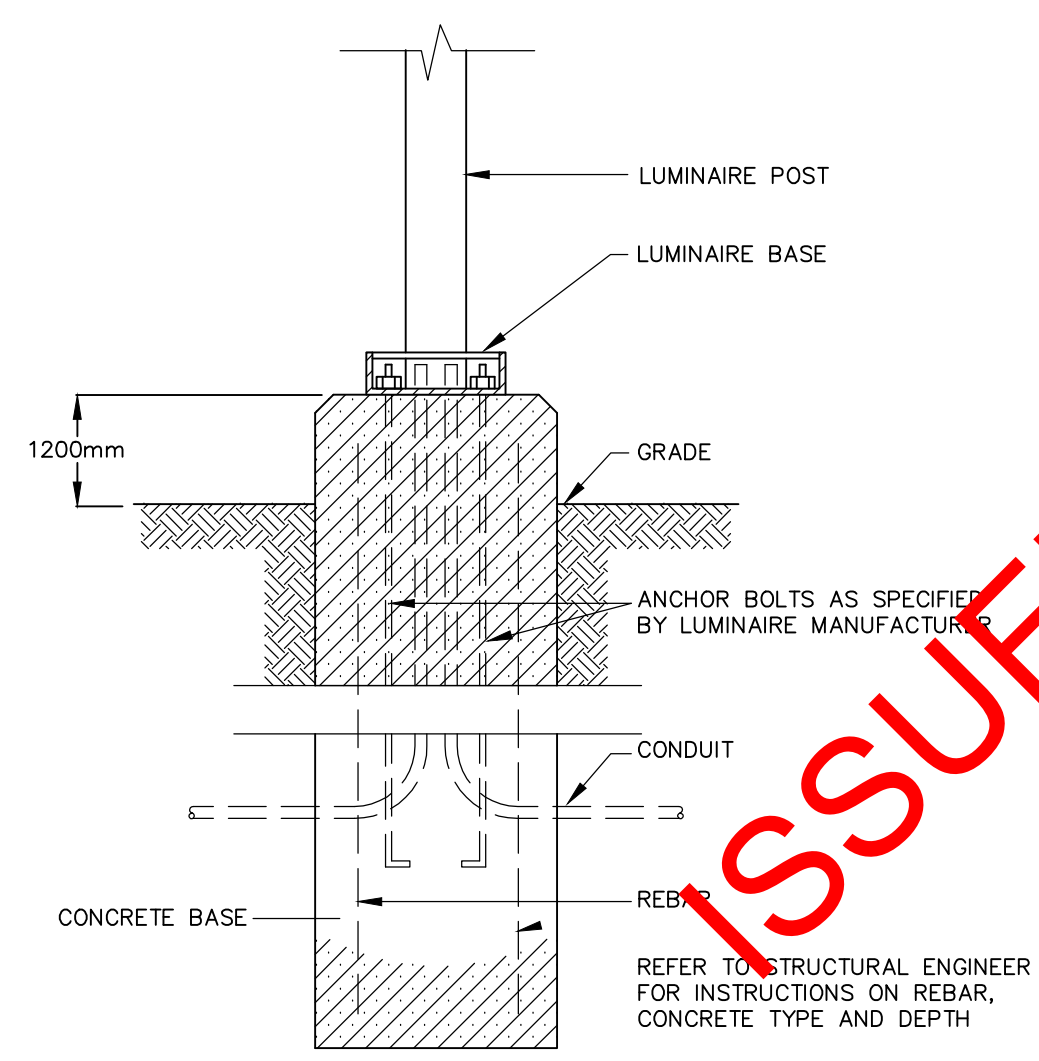
Include in electrical work and pricing submission all the electrical requirements identified in the City of Winnipeg request for proposal for this project (design and construction of the public works east yard complex at the former elmwood/main landfill site) including all specifications, subsequent addenda, clarifications, all approved changes identified in user group meetings with the City of Winnipeg, and approved change directives as interpreted by the City of Winnipeg and their advocate professional engineers and consultants. The electrical plans outlined herein are provided as a guide to the intent of the request for proposal requirements. In the case of a conflict or omission between the drawings and specifications and the interpreted City of Winnipeg request for proposal, the installation shall be completed in conformance with the City of Winnipeg statement of requirements as interpreted by the City of Winnipeg or their project professional engineering representative.



PARKING LOT PANEL MOUNTING DETAIL
N.T.S.



- NOTES**
- CAR RECEPTACLES ARE TO BE PROGRAMMED TO LIMIT CURRENT DRAW TO BLOCK HEATER ONLY.
 - PROVIDE ADDITIONAL CONTROL PROGRAMMING TO OWNER'S SATISFACTION. ???
 - REFER TO STRUCTURAL FOR BASE MOUNT DIMENSIONS.



LUMINAIRE BASE DETAIL
N.T.S.

LUMINAIRE SCHEDULE

TYPE	DESCRIPTION	CATALOG NUMBER	LAMPS
A	2'x4' FLUORESCENT LUMINAIRE RECESSED IN T-BAR CEILING	LITHONIA 2RT5-54TSHO-MVOLT-CSA	2-54W TSHO
A1	2'x4' FLUORESCENT LUMINAIRE RECESSED IN T-BAR COMPLETE WITH DAYLIGHT HARVESTING SENSOR	LITHONIA 2RT5-54TSHO-347-CSA C/W DIMMING BALLAST	2-54W TSHO
B	HIGH BAY FLUORESCENT LUMINAIRE	GREEN-LIGHTS INC. 1-6-3-W	6-54W TSHO
B0C	HIGH BAY FLUORESCENT LUMINAIRE C/W BUILT IN OCCUPANCY SENSOR	-	6-54W TSHO
B1	IMEK 654 1.0 4/54W TSHO FLUORESCENT HIGHBAY C/W LOW TEMP BALLAST - 347V RATED C/W BUILT-IN OCCUPANCY SENSOR	GREEN-LIGHTS INC 1-4-x-347V	4-54W TSHO
B2	IMEK 654 1.0 4/54W TSHO FLUORESCENT HIGHBAY C/W LOW TEMP BALLAST - 120V RATED C/W BUILT-IN OCCUPANCY SENSOR	GREEN-LIGHTS INC 1-4-x-120V	4-54W TSHO
C	2'-4" FLUORESCENT LUMINAIRE - RECESSED IN T-BAR CEILING	LITHONIA 2SP5-2-54TSHO-CSA	2-54W TSHO
D	8'-0" FLUORESCENT LUMINAIRE - CHAIN SUSPENDED - C/W ASSYMETRIC REFLECTOR	LITHONIA TZ 2-54TSHO-CSA-ZSSMR46	4-54W TSHO
E	4'-0" FLUORESCENT LUMINAIRE - CHAIN SUSPENDED C/W WIREGUARD	LITHONIA Z-1-54TSHO-347-WG246	1-54W TSHO
F	4'-0" FLUORESCENT LUMINAIRE - SURFACE MOUNTED IN STAIRWELLS	LITHONIA WC-1-54TSHO-347-CSA	1-54W TSHO
G	8'-0" FLUORESCENT LUMINAIRE CHAIN SUSPENDED C/W WIREGUARD	LITHONIA TZ-1-54TSHO-347-WG246	2-54W TSHO
H	4' WET LOCATION FLUORESCENT LUMINAIRE RECESSED IN DRYWALL	LITHONIA 2WB1-54-19-347-CSA	2-54W TSHO
H1	4' WET LOCATION FLUORESCENT LUMINAIRE RECESSED IN DRYWALL	LITHONIA WRT-1-54-A19-347-CSA	1-54W TSHO
J	1'x4' FLUORESCENT LUMINAIRE RECESSED IN T-BAR	LITHONIA SP5-F-2-54TSHO-A12-347-CSA	2-54W TSHO
J1	1'x4' FLUORESCENT LUMINAIRE CHAIN SUSPENDED TO 0' A.F.F.	LITHONIA CA-2-54TSHO-347-CSA	2-54W TSHO
K	PORCELAIN INCANDESCENT C/W WIREGUARD	SMITH & STONE	1-60W A19
K1	PORCELAIN INCANDESCENT RATED FOR EXCLUSIVE AREA	-	1-60W A19
L	RECESSED FLUORESCENT DOWN LIGHT SUITABLE FOR WET & DAMP LOCATIONS	LITHONIA LIFE-2/13DTT-347-F6LF73	2-13W DTT
M	4' FLUORESCENT MOUNTED IN VALLANCE	LITHONIA Z-1-54TSHO-347-CSA	1-54W TSHO
M1	3' FLUORESCENT WALL MOUNTED ABOVE MIRROR	LITHONIA WC-1-39TSHO-347-CSA	1-39W TSHO
M2	4' FLUORESCENT WALL MOUNTED ABOVE MIRROR	LITHONIA WC-1-54TSHO-347-CSA	1-54W TSHO
N	FLUORESCENT DOWNLIGHT	LITHONIA LFN 2/26 DTT F602AZ 347	2-26W DTT
P	4'-0" SURFACE MOUNTED FLUORESCENT LUMINAIRE C/W WIREGUARD	LITHONIA Z-1-54TSHO-347-CSA WG246	1-54W TSHO
Q	FRONT VESTIBULE LUMINAIRE	-	-
R	6" LED DOWNLIGHT C/W DIMMING	LITHONIA 120V	LED
S	1'-4" FLUORESCENT RECESSED IN DRYWALL	LITHONIA SP5-F-2-54TSHO-A12-347-CSA	2-54W TSHO
T	8'-0" FLUORESCENT CHAIN SUSPENDED SUITABLE WET & DAMP LOCATIONS	LITHONIA TDMW 2-54TSHO-347-CSA	4-54W TSHO
U	4' FLUORESCENT AIRCRAFT CABLE SUSPENDED TO 12'-6" A.F.F.	PRUDENTIAL LIGHTING S1-1TSHO-WA-TMW-347-CSA	1-54W TSHO
V	1'x4' FLUORESCENT LUMINAIRE RECESSED IN T-BAR	LITHONIA RT5-54TSHO-347-CSA C/W DIMMING BALLAST	2-54W TSHO
W	4'-0" FLUORESCENT SUITABLE FOR WET LOCATIONS - CHAIN SUSPENDED	AIMLITE VP4-TSHO-54-AC-347-CSA	2-54W TSHO
X	4'-0" SURFACE MOUNTED FLUORESCENT MOUNTED AT 5'-0" A.F.F. SUITABLE FOR WET LOCATIONS	AIMLITE VP4-TSHO-54-AC-347-CSA	2-54W TSHO
1	SINGLE HEAD POST MOUNTED LED COMPLETE WITH 30' HINGED POLE	LITHONIA CSX2-LED-3-30BS30/40K-MVOLT-T-HS-SR3	1-168W LED
2	SINGLE HEAD POST MOUNTED LUMINAIRE COMPLETE WITH 30' HINGED POLE	LITHONIA AS2 400M SR4W	1-400W MH
3	POST MOUNTED LUMINAIRE COMPLETE WITH 40' HINGED POLE	LITHONIA AS2-400M-HFPN	1-400W MH
4	DOUBLE HEAD POST MOUNTED LUMINAIRE COMPLETE WITH 40' HINGED POLE	LITHONIA AS2 400M SR4 SC	2-400W MH
5	EXTERIOR BUILDING MOUNTED LUMINAIRE MOUNTED ABOVE DOOR	LITHONIA TWF1-70M-347-CSA-LPI	1-70W MH
6	EXTERIOR BUILDING MOUNTED LUMINAIRE MOUNTED ON EXTERIOR OF BUILDING @ 17'-6" A.F.F.	LITHONIA TWF1-150M-MVOLT-CSA-LPI	1-150W MH
7	BUILDING MOUNTED LUMINAIRE MOUNTED AT 20' A.F.F.	LITHONIA ASW2 400M SR4W	1-400W MH
8	QUAD HEAD POST MOUNTED LUMINAIRE COMPLETE WITH 40' HINGED POLE	LITHONIA AS2 400M SR4W	4-400W MH
9	EXTERIOR BUILDING LUMINAIRE MOUNTED @ 25'-4" A.F.F.	LITHONIA ASW2-400M-S-R4SC-10FT-TILT	1-400W MH
10	DOUBLE HEAD POST MOUNTED LUMINAIRE C/W 40' HINGED POLE	LITHONIA AS2-400M-SR4W	2-400W MH
11	SINGLE HEAD POST MOUNTED LUMINAIRE COMPLETE WITH 40' HINGED POLE	LITHONIA AS2 400M SR4W	1-400W MH

- LUMINAIRE SCHEDULE NOTES:**
- ALL FLUORESCENT BALLAST TO BE ELECTRONIC. MB HYDRO "POWER SMART" APPROVED.
 - ALL FLUORESCENT LAMPS TO BE 3500K & 85 CRI, UNLESS OTHERWISE NOTED.

ISSUED FOR CITY REVIEW

Certificate of Authorization
Nova 3 Engineering Ltd.
No. 962 Date: _____

NOVA 3 ENGINEERING LTD.
CONSULTING ENGINEERS

201-120 FORT STREET
WINNIPEG, MANITOBA R3C 1C7
TEL: (204) 943-6142
FAX: (204) 942-1276
JN: 31-173

THIS DRAWING IS THE EXCLUSIVE PROPERTY OF NOVA 3 ENGINEERING LTD. AND MAY ONLY BE REPRODUCED WITH THE WRITTEN PERMISSION OF NOVA 3 ENGINEERING LTD. THE CONCEPT AND DESIGN INCORPORATED INTO THIS DRAWING ARE BASED ON INFORMATION PROVIDED BY THE CLIENT AND OTHER RELATED SOURCES. PROFESSIONAL ENGINEER ACCEPTS NO RESPONSIBILITY FOR DRAWING AND DESIGN UNLESS DRAWING IS ACCOMPANIED BY ORIGINAL SEALED AND SIGNED LETTER OF INTENT AND CERTIFICATE OF INSPECTION. REFER TO WWW.NOVA3.CA FOR CAUTIONARY NOTES.

3 TERRACON PLACE
WINNIPEG, CANADA R2J 4B3
TEL. (204) 233 7881
FAX (204) 233 4733
general@ehansch.com
www.ehansch.com

CLIENT: CITY OF WINNIPEG
PUBLIC WORKS DEPARTMENT

PROJECT NUMBER: 31-178E

DRAWN BY: KC

DATE: MARCH 06, 2012

SCALE: AS SHOWN

PROJECT TITLE:
**CITY OF WINNIPEG
PUBLIC WORKS EAST YARD COMPLEX
MAIN OFFICE & GARAGES**

SHEET TITLE:
SCHEDULE

SHEET NUMBER:
E1.0

REVISION NUMBER:
0

NOT FOR
CONSTRUCTION

REV	DESCRIPTION	DATE	BY
3	ISSUED FOR 99% REVIEW	2012.06.04	MZ
2	ISSUED FOR 66% REVIEW	2012.03.06	MZ
1	ISSUED FOR 33% REVIEW	2012.01.06	MZ