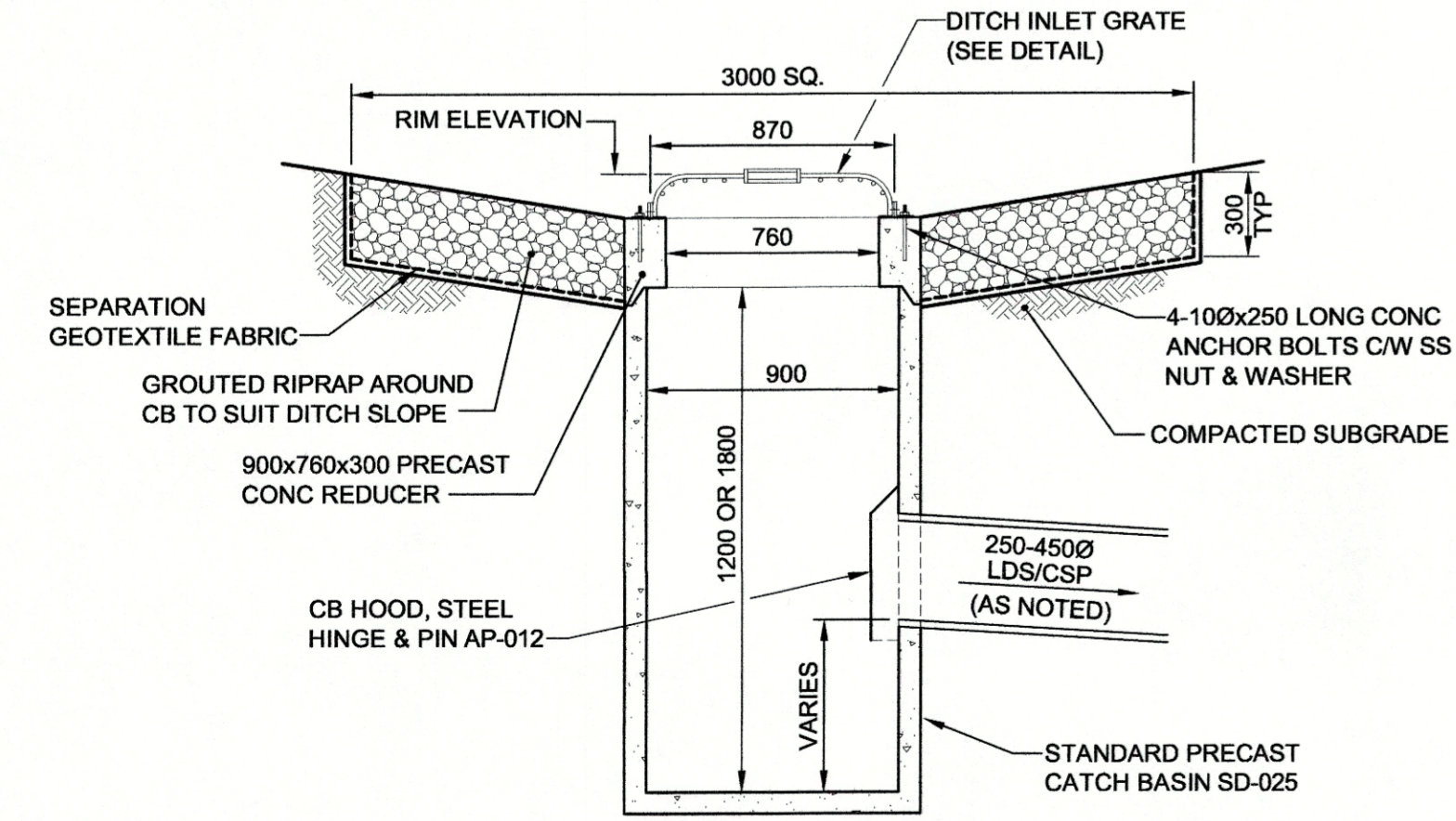


DITCH INLET GRATE
SCALE: 1:10
0 0.25 0.50m



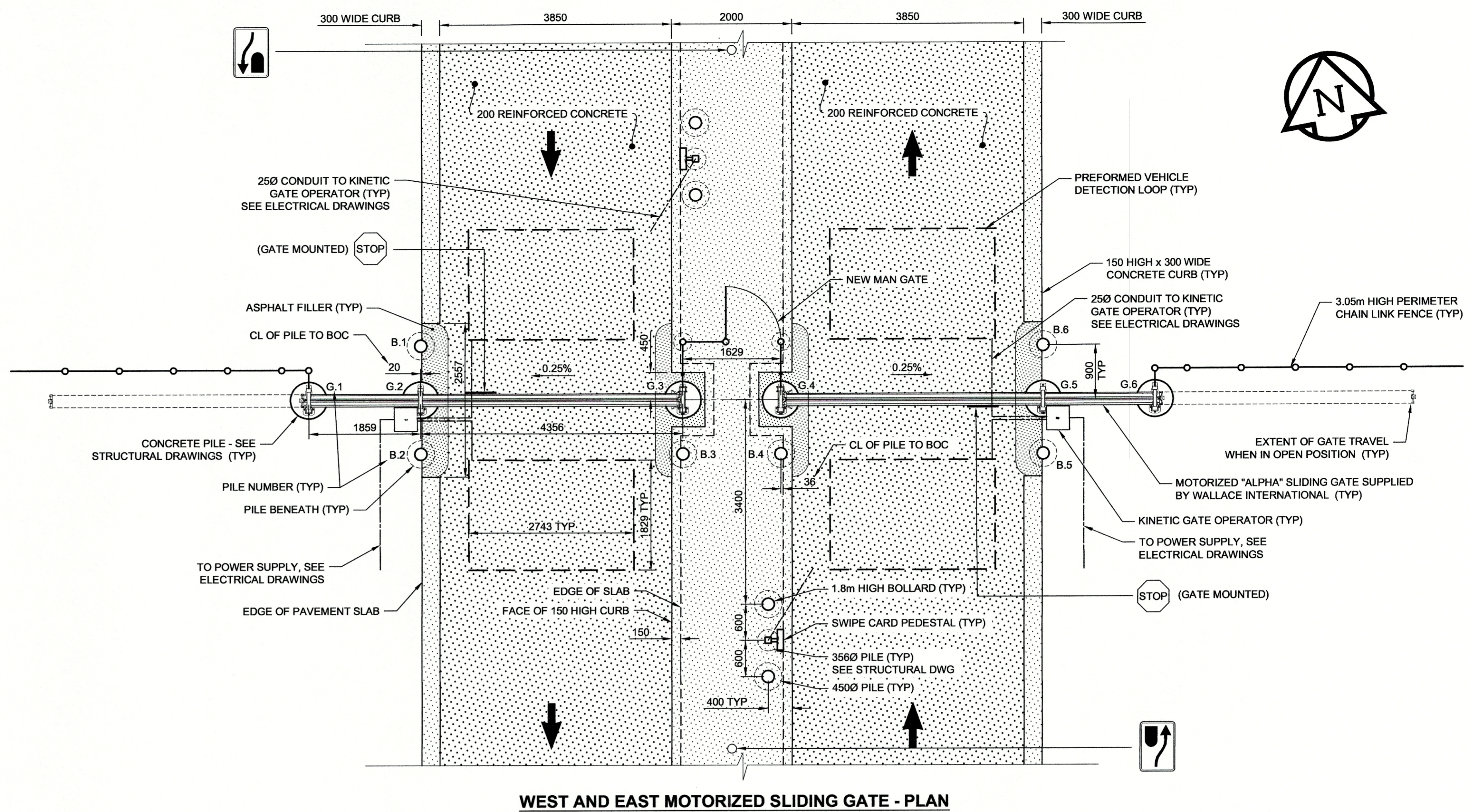
RIP RAP PAD AT DITCH INLET
SCALE: 1:25
0 0.5 1.0 1.5m

NUMBER	STATION	OFFSET FROM CONTROL LINE	TOP OF PILE ELEVATION
G.1	1+245.164	23.536	32.538
G.2	1+247.023	23.536	32.538
G.3	1+251.379	23.536	32.508
G.4	1+253.007	23.536	32.508
G.5	1+257.363	23.536	32.538
G.6	1+259.222	23.536	32.538

NUMBER	STATION	OFFSET FROM CONTROL LINE	TOP OF PILE ELEVATION
G.1	1+527.364	62.100	32.992
G.2	1+529.223	62.100	32.992
G.3	1+533.579	62.100	32.962
G.4	1+535.207	62.100	32.962
G.5	1+539.563	62.100	32.992
G.6	1+541.422	62.100	32.992

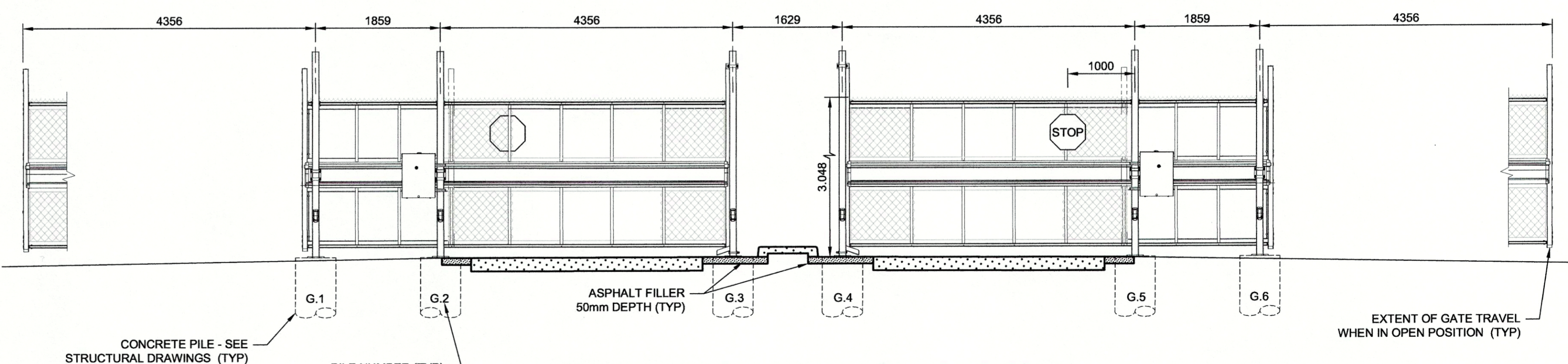
NUMBER	STATION	OFFSET FROM CONTROL LINE
B.1	1+247.024	22.636
B.2	1+247.024	24.436
B.3	1+251.379	24.436
B.4	1+253.007	24.436
B.5	1+257.362	24.436
B.6	1+257.362	22.636

NUMBER	STATION	OFFSET FROM CONTROL LINE
B.1	1+529.224	61.200
B.2	1+529.224	63.000
B.3	1+533.579	63.000
B.4	1+535.207	63.000
B.5	1+539.562	63.000
B.6	1+539.562	61.200



WEST AND EAST MOTORIZED SLIDING GATE - PLAN

SCALE: 1:50
0 0.5 1.0 2.0 3.0m



WEST AND EAST MOTORIZED SLIDING GATE - SECTION

SCALE: 1:50
0 0.5 1.0 2.0 3.0m

LOCATION APPROVED
UNDERGROUND STRUCTURES

SUPR. U/G STRUCTURES COMMITTEE DATE

NOTE:
LOCATION OF UNDERGROUND STRUCTURES AS SHOWN ARE BASED ON THE BEST INFORMATION AVAILABLE BUT NO GUARANTEE IS GIVEN THAT ALL EXISTING UTILITIES ARE SHOWN OR THAT THE GIVEN LOCATIONS ARE EXACT. CONFIRMATION OF EXISTENCE AND EXACT LOCATION OF ALL SERVICES MUST BE OBTAINED FROM THE INDIVIDUAL UTILITIES BEFORE PROCEEDING WITH CONSTRUCTION.

No.	REVISIONS	DATE	BY
1	ISSUED FOR CONSTRUCTION	12/04/02	RPB

MORRISON HERSHFELD

DESIGNED BY RPB, GFC
DRAWN BY DML
HOR. SCALE AS SHOWN
VERT. SCALE AS SHOWN
DATE November 24, 2011

CHECKED BY WRJ
APPROVED BY BWB
RELEASED FOR CONSTRUCTION
DATE

APEGM
Certificate of Authorization
MORRISON HERSHFELD
No. 1736 Date: *April 12*

PROFESSIONAL'S SEAL
PROVINCE OF MANITOBA
REGISTERED PROFESSIONAL ENGINEER
R.P. BRUCE
CONSULTANT DRAWING No.
W11401000-T-016-DET2_RX.dwg

ERNST HANSCH CONSTRUCTION LTD.
8 TERRACON PLACE
WINNIPEG, CANADA R2L 4E3
TEL (204) 233 7881
FAX (204) 233 4733
general@ehansch.com
www.ehansch.com

PUBLIC WORKS EAST YARD
#960 THOMAS AVENUE
SURFACE AND UNDERGROUND WORKS
MISCELLANEOUS DETAILS 2

CITY DRAWING NUMBER	N/A
SHEET	16 OF 17
DRAWING NUMBER	REV
C-16	1

METRIC
WHOLE NUMBERS INDICATE MILLIMETRES
DECIMALIZED NUMBERS INDICATE METRES