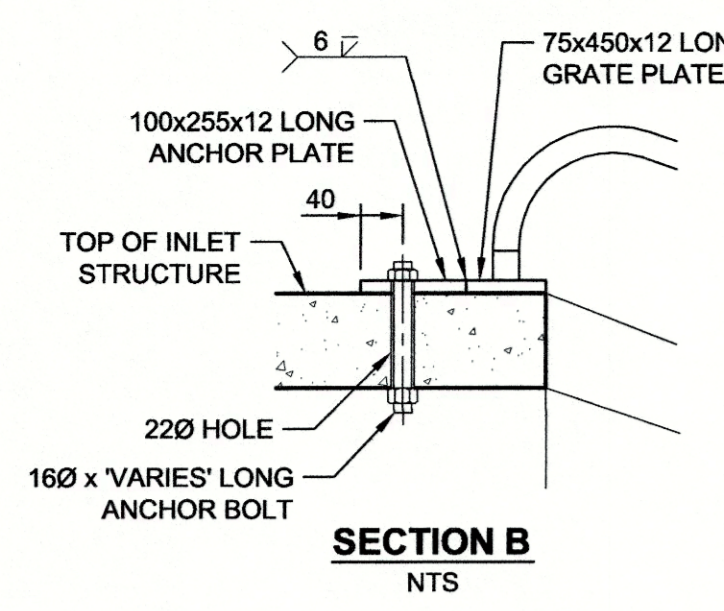


ANSI D SIZE 22" x 34" (559mm x 864mm)

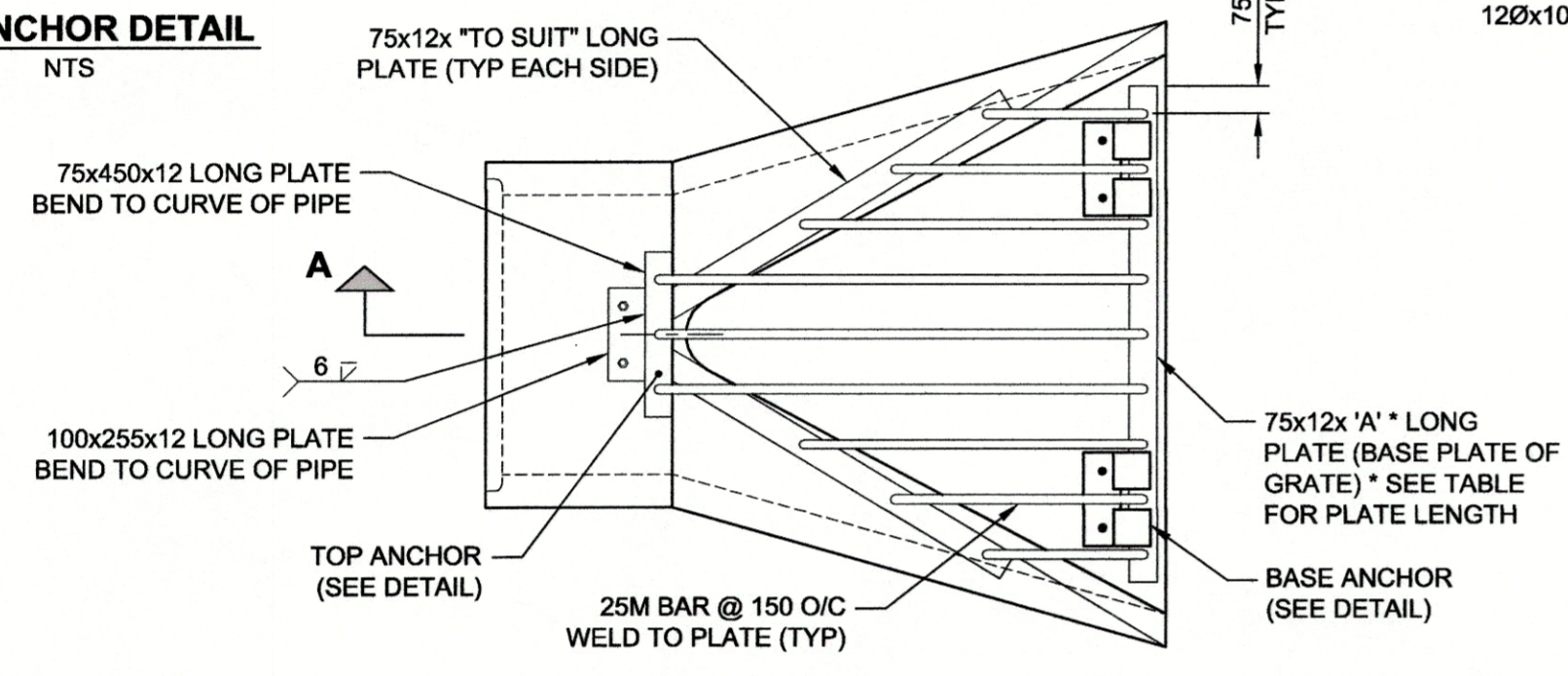
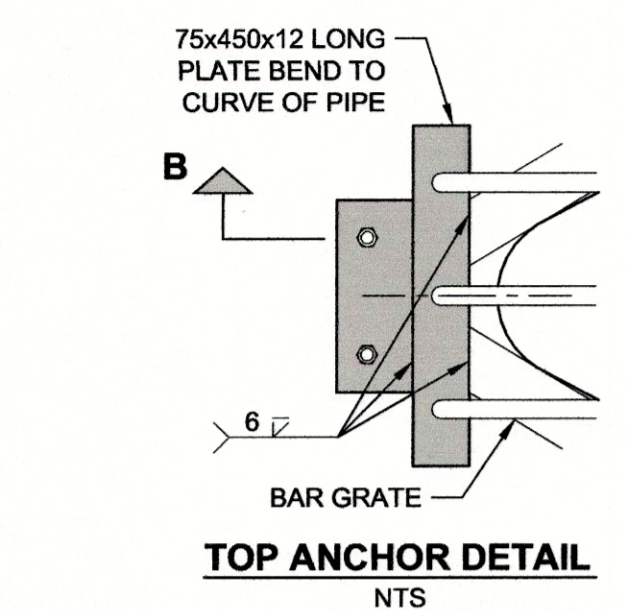
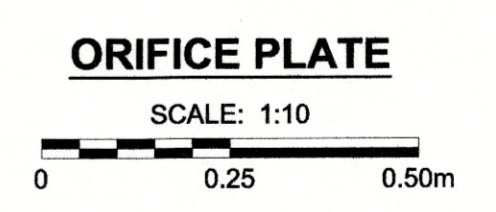
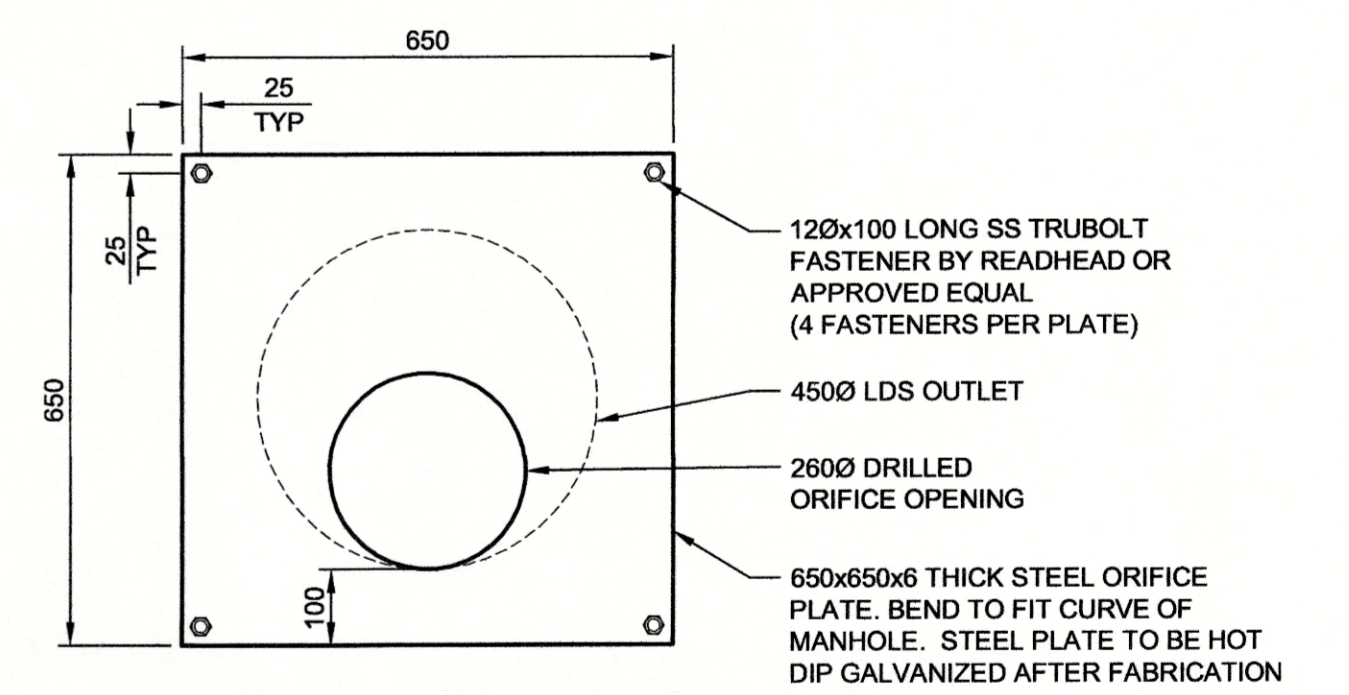
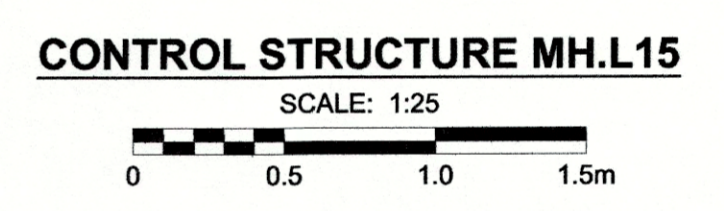
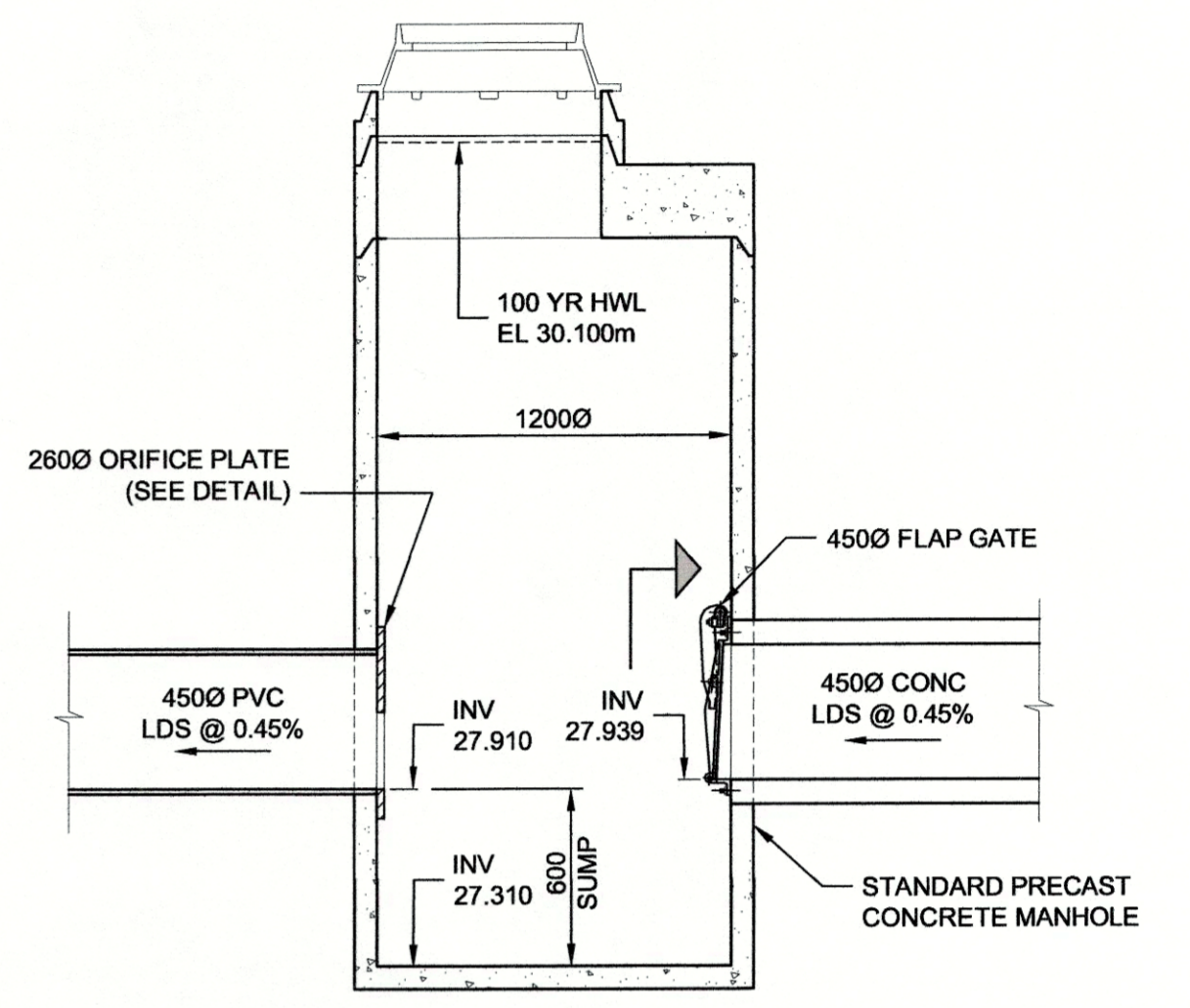
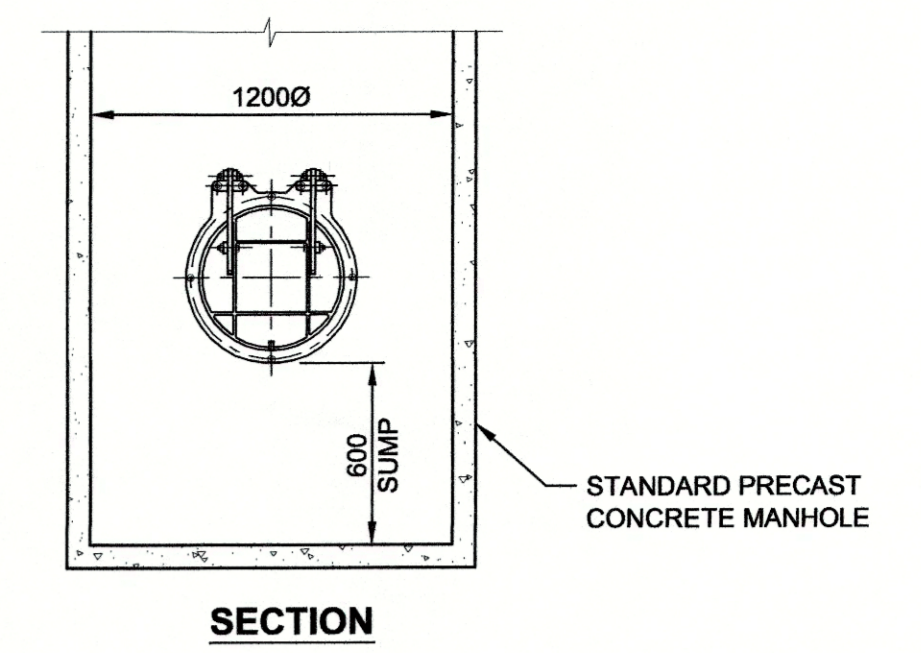
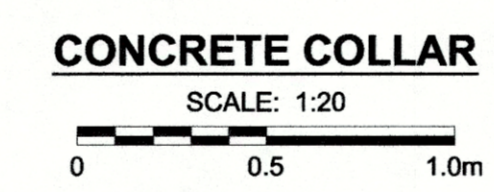
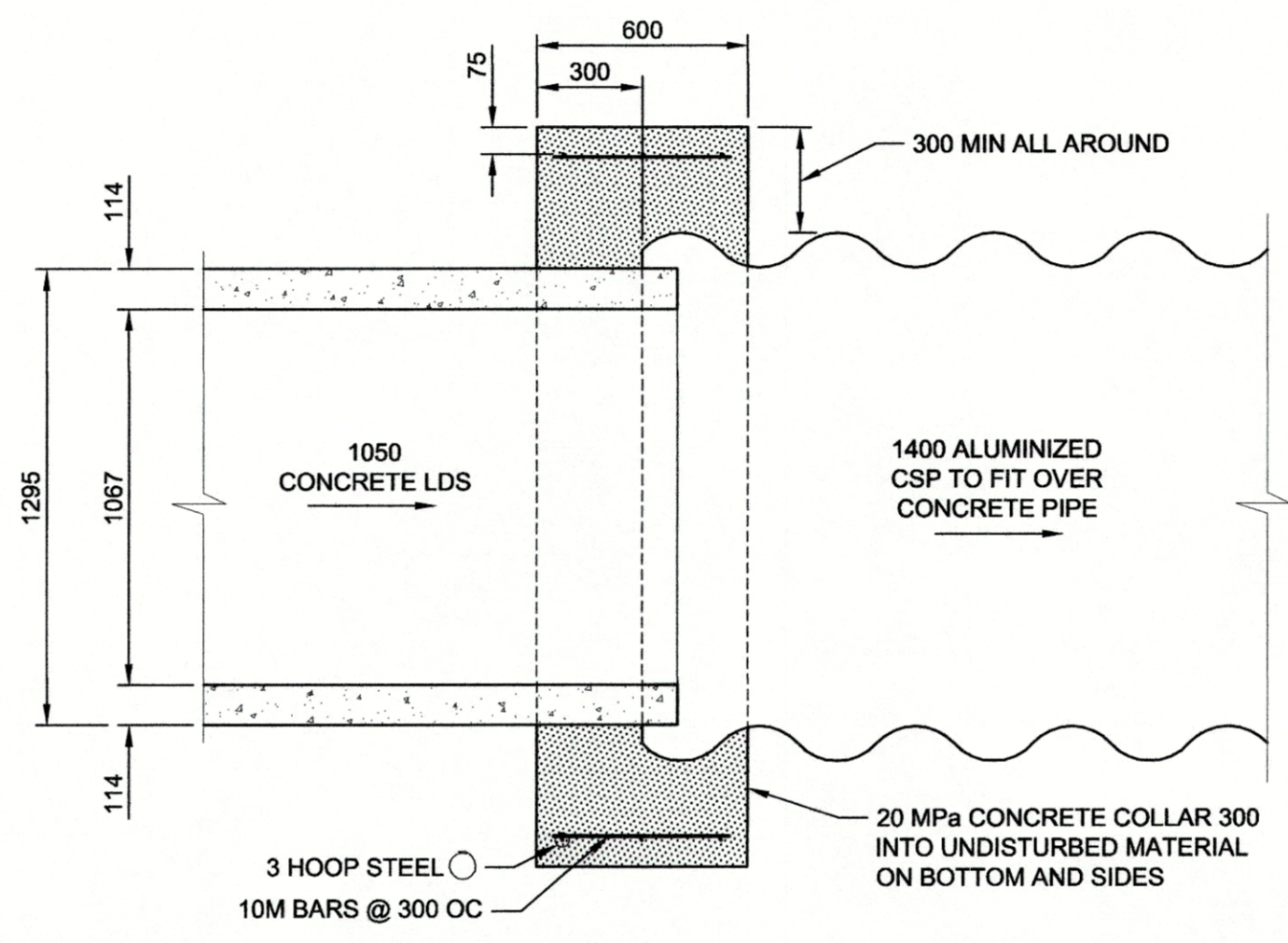
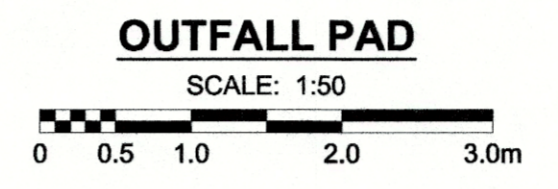
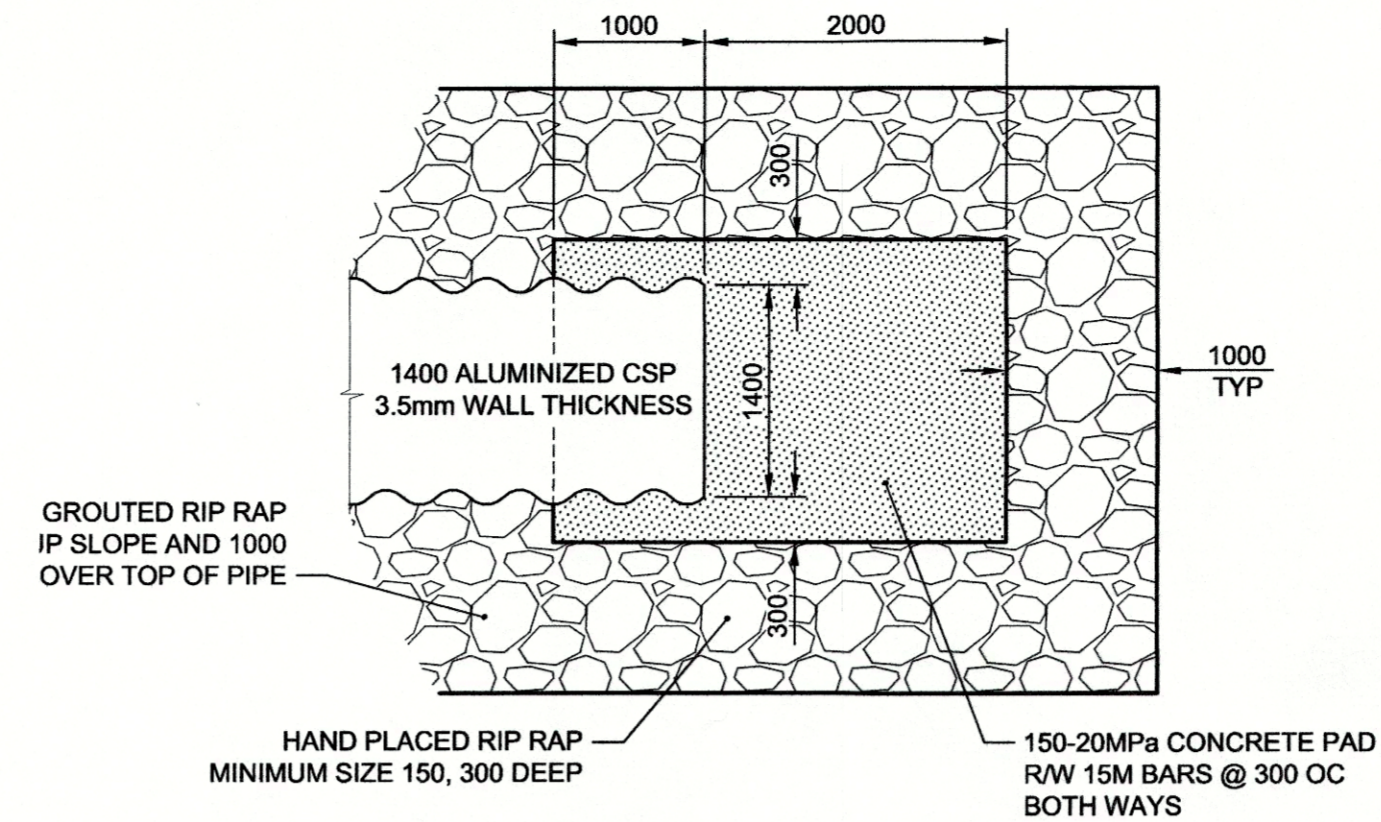
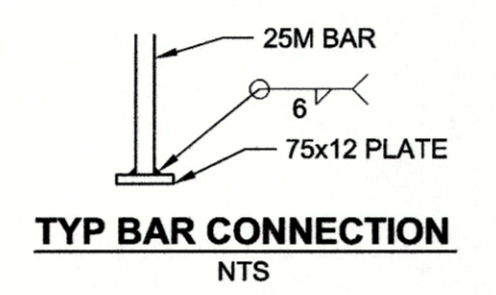
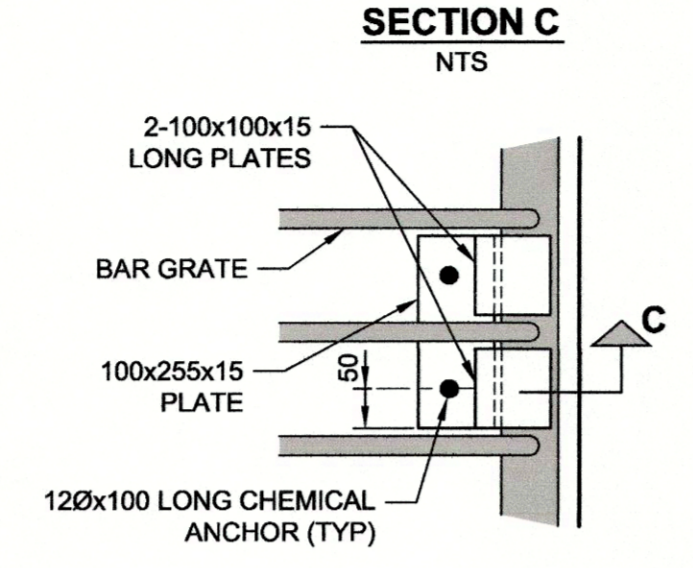
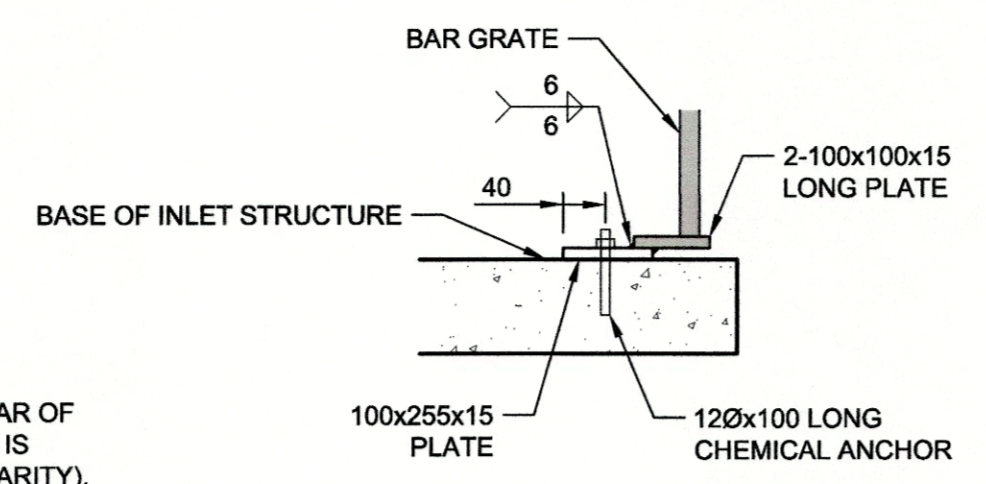
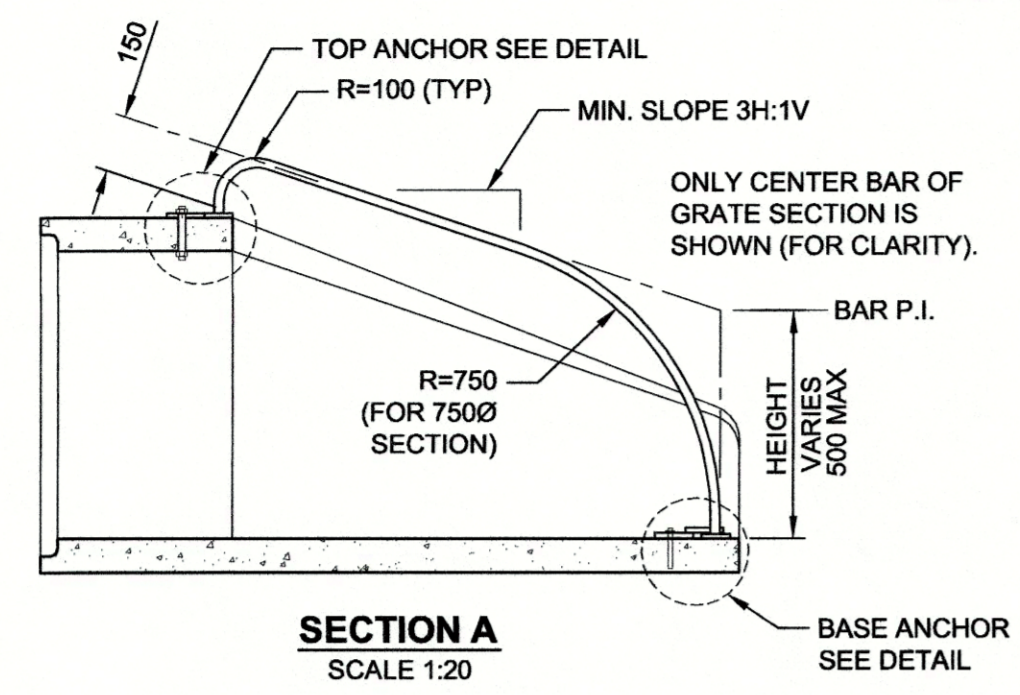
PLOT: 4/2/2012 9:13:23 AM

FILE NAME: W11401000-T-014-LAK2\_RX.dwg Saved By: dlane

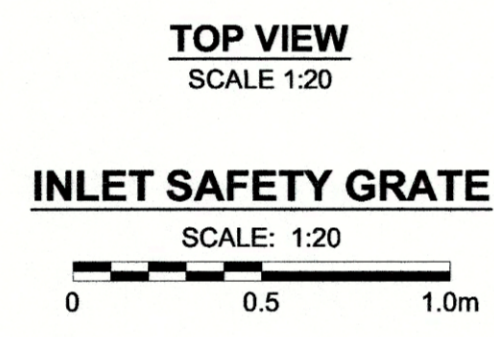


**CONCRETE FLARED END SECTION SAFETY GRATE**

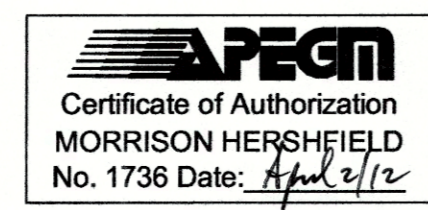
DIAMETER OF PIPE	LENGTH OF PLATE 'A'
450Ø	750
1050Ø	1800



NOTE: MAX 140 CLEAR SPACE BETWEEN GRATE BARS.



**METRIC**  
WHOLE NUMBERS INDICATE MILLIMETRES  
DECIMALIZED NUMBERS INDICATE METRES



**LOCATION APPROVED UNDERGROUND STRUCTURES**

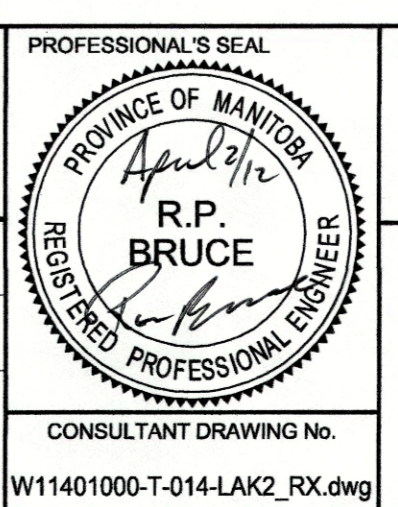
SUPR. U/G STRUCTURES COMMITTEE DATE

NOTE: LOCATION OF UNDERGROUND STRUCTURES AS SHOWN ARE BASED ON THE BEST INFORMATION AVAILABLE BUT NO GUARANTEE IS GIVEN THAT ALL EXISTING UTILITIES ARE SHOWN OR THAT THE GIVEN LOCATIONS ARE EXACT. CONFIRMATION OF EXISTENCE AND EXACT LOCATION OF ALL SERVICES MUST BE OBTAINED FROM THE INDIVIDUAL UTILITIES BEFORE PROCEEDING WITH CONSTRUCTION.

No.	REVISIONS	DATE	BY
1	ISSUED FOR CONSTRUCTION	12/04/02	RPB
		YYMMDD	

**MORRISON HERSHFIELD**

DESIGNED BY	RPB	CHECKED BY	WRJ
DRAWN BY	DML	APPROVED BY	BWB
HOR. SCALE	AS SHOWN	RELEASED FOR CONSTRUCTION	
VERT. SCALE	AS SHOWN		
DATE		November 24, 2011	



**ERNST HANSCH CONSTRUCTION LTD.**

3 TERRACON PLACE  
WINNIPEG, CANADA R2J 4B3  
TEL: (204) 233 7391  
FAX: (204) 233 4733  
general@ehansch.com  
www.ehansch.com

**PUBLIC WORKS EAST YARD**  
#960 THOMAS AVENUE  
SURFACE AND UNDERGROUND WORKS

LAKE DETAILS

CITY DRAWING NUMBER	N/A
SHEET	14 OF 17
DRAWING NUMBER	REV
<b>C-14</b>	1