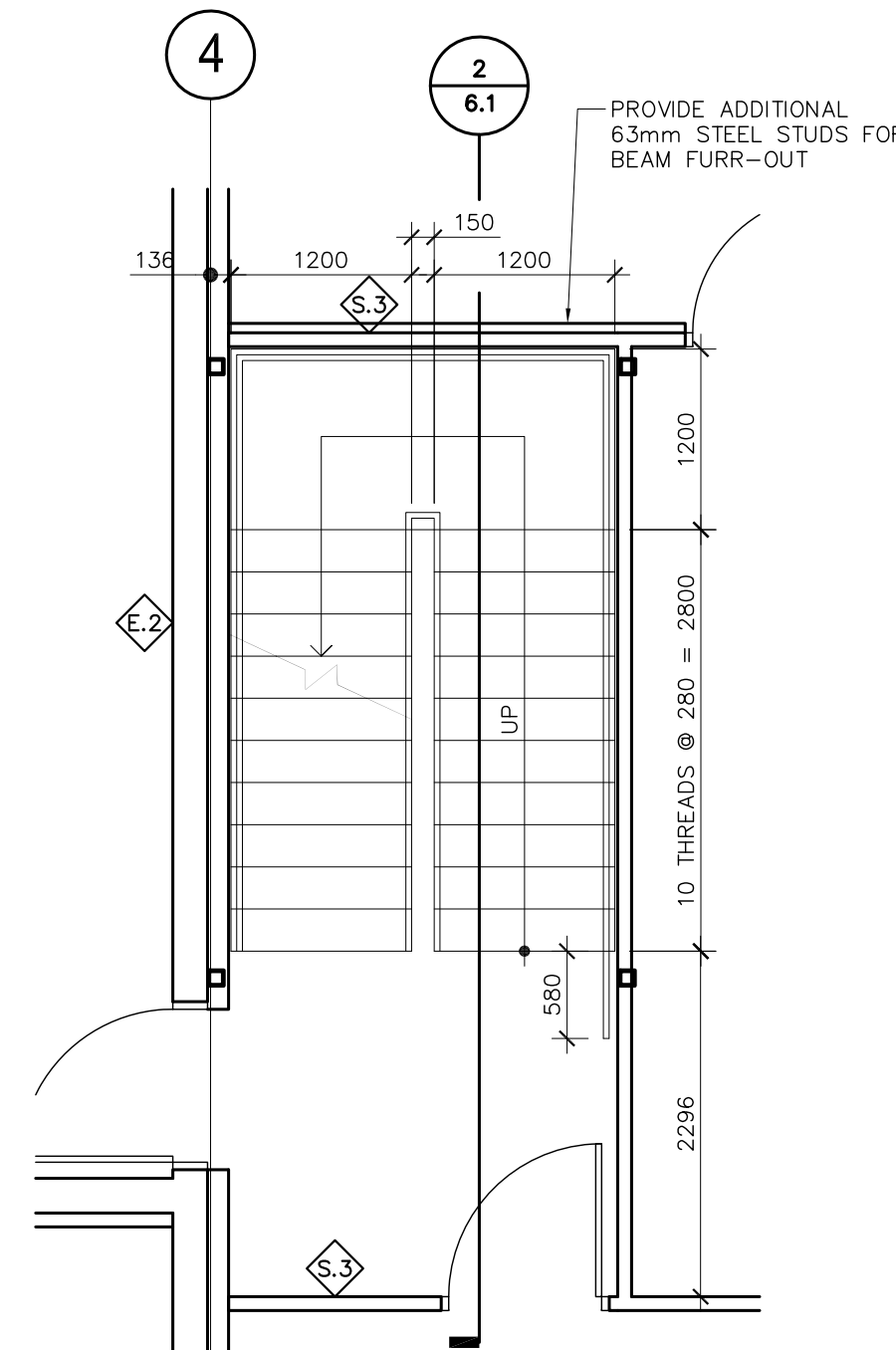
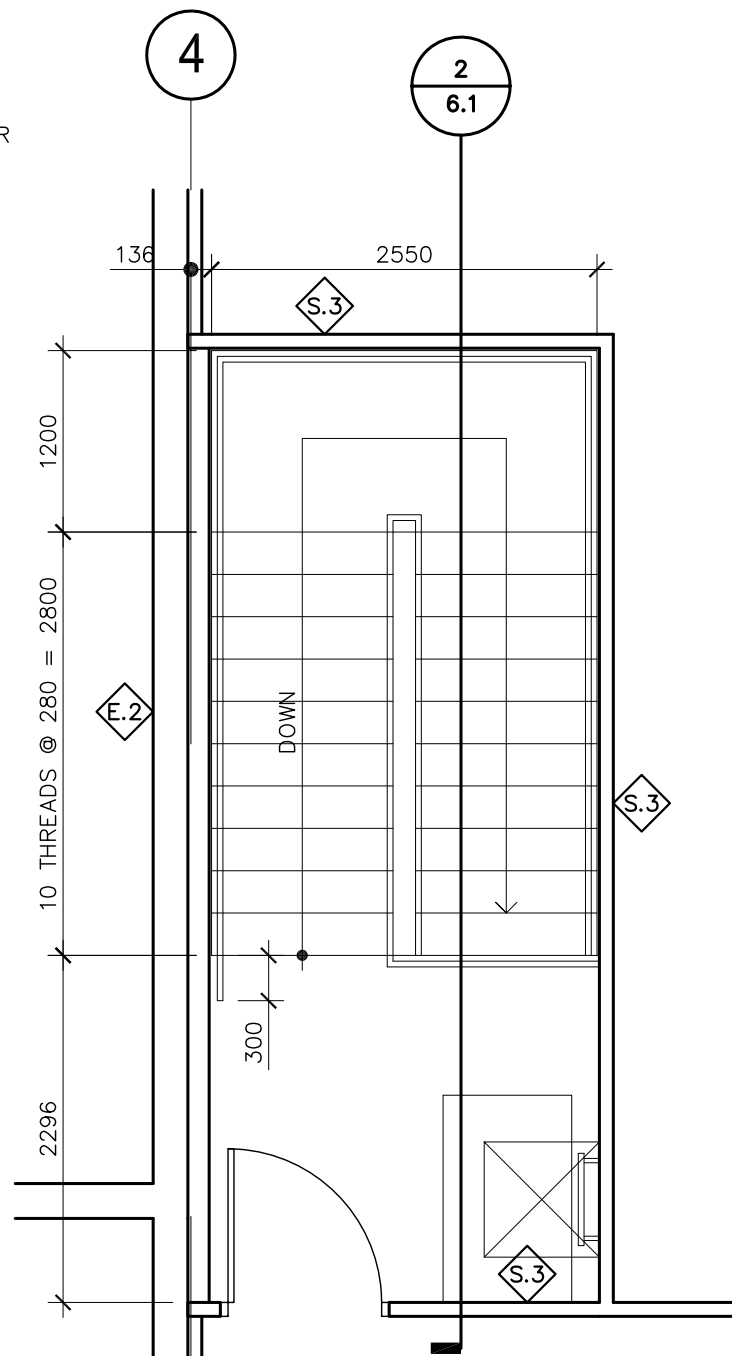


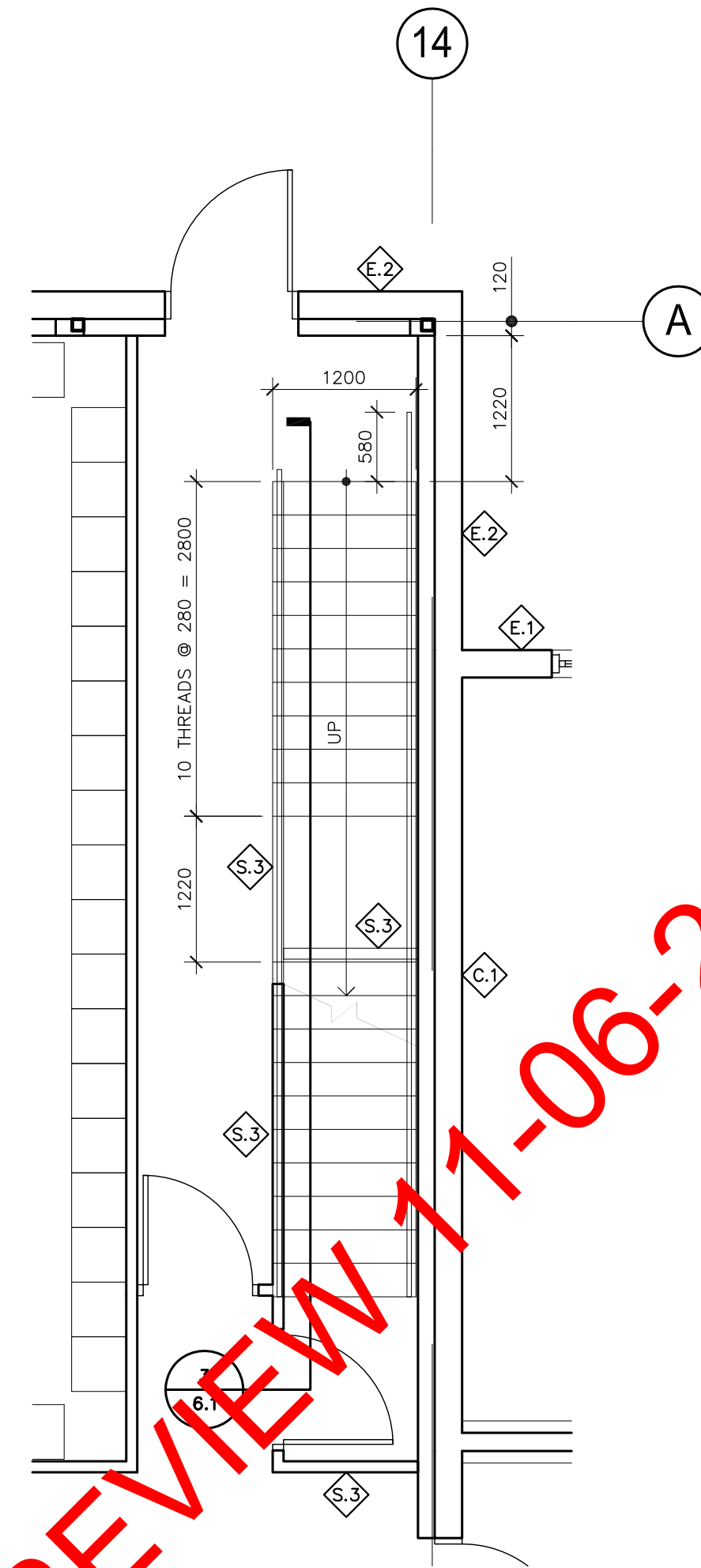
1 STAIR 1 MAIN FLOOR  
SCALE: 1:50



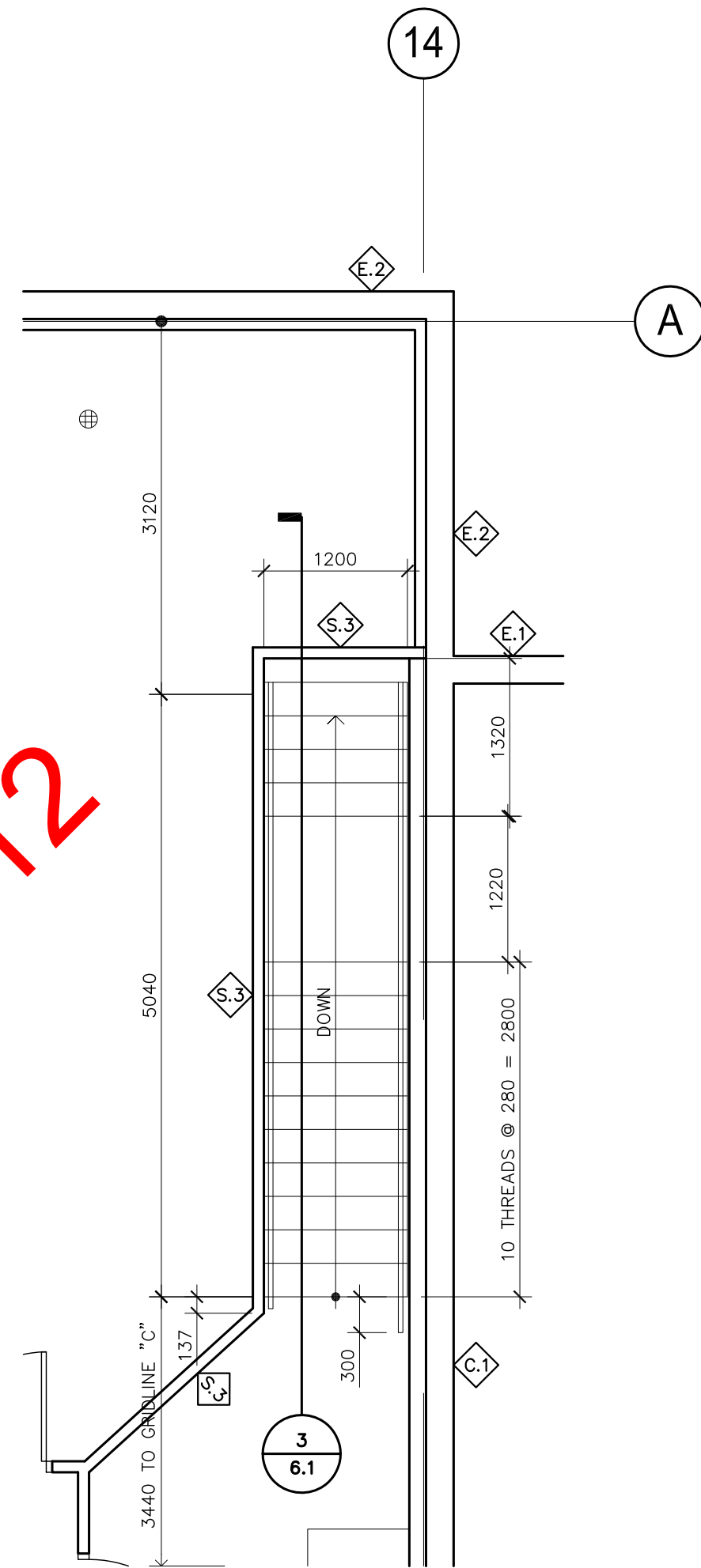
3 STAIR 2 MAIN FLOOR  
SCALE: 1:50



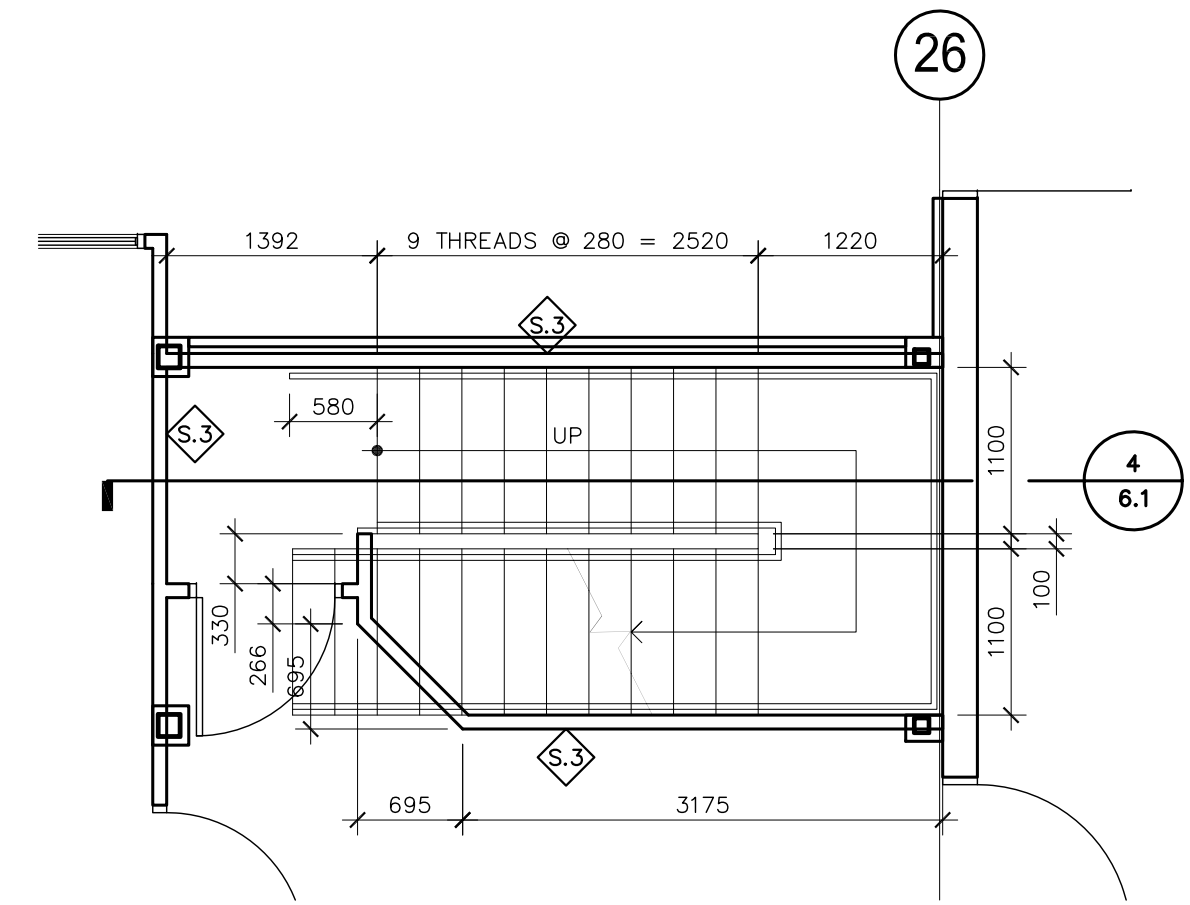
4 STAIR 2 SECOND FLOOR  
SCALE: 1:50



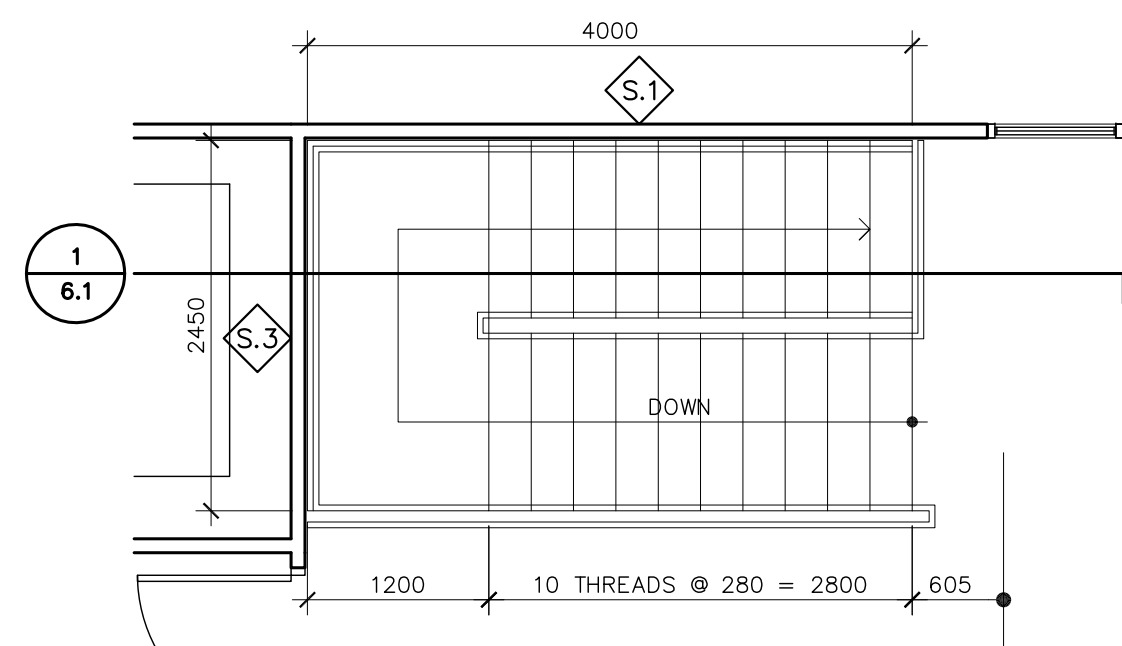
5 STAIR 3 MAIN FLOOR  
SCALE: 1:50



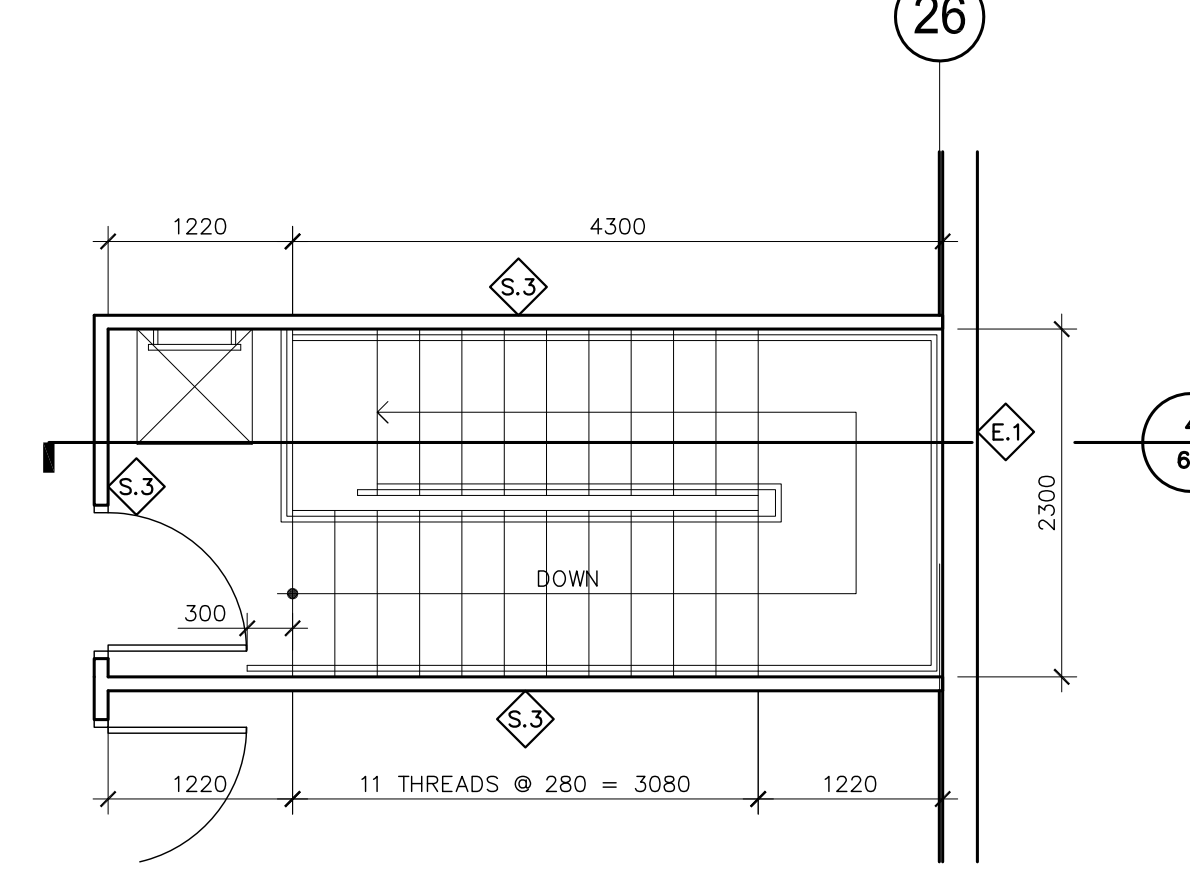
6 STAIR 3 SECOND FLOOR  
SCALE: 1:50



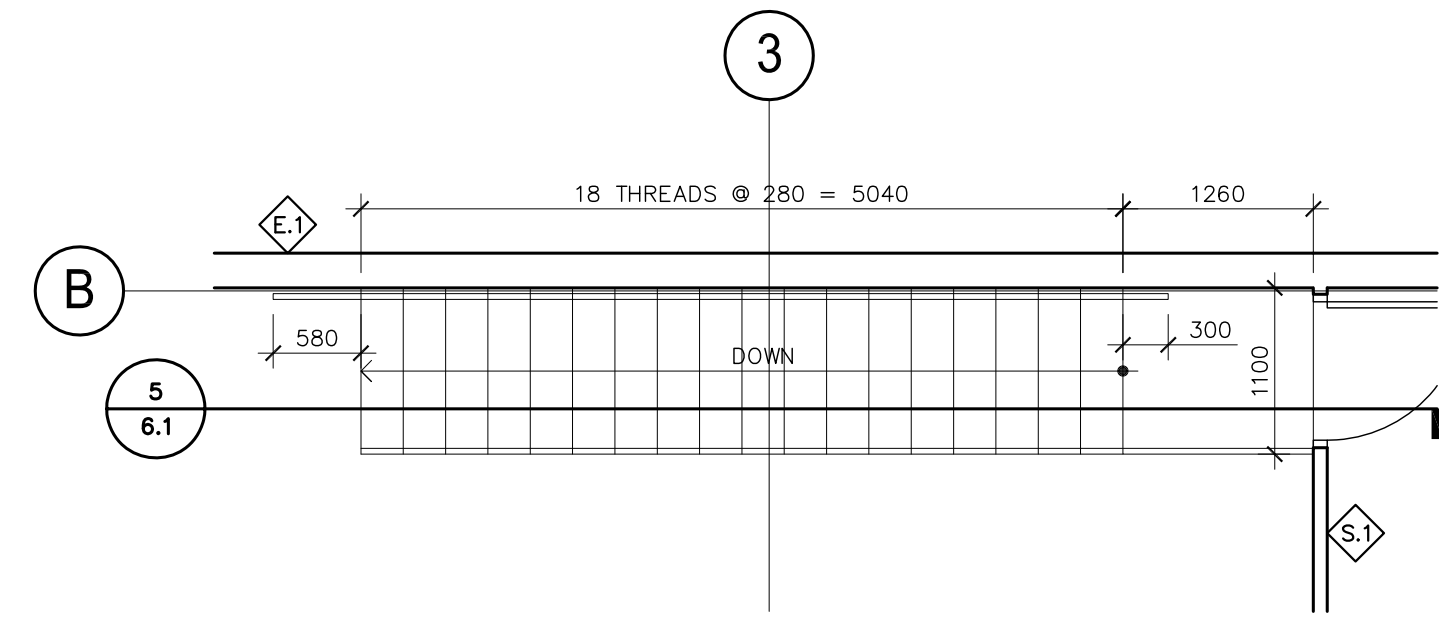
7 STAIR 4 MAIN FLOOR  
SCALE: 1:50



2 STAIR 1 SECOND FLOOR  
SCALE: 1:50



8 STAIR 4 MAIN FLOOR  
SCALE: 1:50



9 STAIR 5 MEZZANINE PLAN  
SCALE: 1:50

ISSUED FOR CITY REVIEW 11-06-2012

REV	DESCRIPTION	DATE	BY
5	ISSUED FOR REVIEW	08 JUNE 2012	MM
4	ISSUED FOR DRAWING REVIEW	JUN 1, 2012	MM
3	DRAWING UPDATE	APR 18, 2012	IC
2	ISSUED FOR 66% REVIEW	MAR 05, 2012	MD
1	ISSUED FOR 33% REVIEW	05 JAN 2012	MD



3 TERRACON PLACE  
WINNIPEG, CANADA R2J 4B3  
TEL (204) 233 7881  
FAX (204) 233 4733  
general@ehansch.com  
www.ehansch.com

CLIENT: CITY OF WINNIPEG  
PUBLIC WORKS DEPARTMENT  
PROJECT NUMBER: 1511  
DRAWN BY: MD  
DATE: JAN. 5, 2012  
SCALE: AS SHOWN

PROJECT TITLE:  
CITY OF WINNIPEG  
PUBLIC WORKS EAST YARD COMPLEX  
MAIN OFFICE & GARAGES  
SHEET TITLE:  
STAIR PLANS

SHEET NUMBER:

**A6.0**

REVISION NUMBER: RO