

MATERIALS

COMPOSITE SLATS:

- 100mm x 100mm COMPOSITE BOARDS
- CEDAR TONE FINISH

METAL OPTIONS:

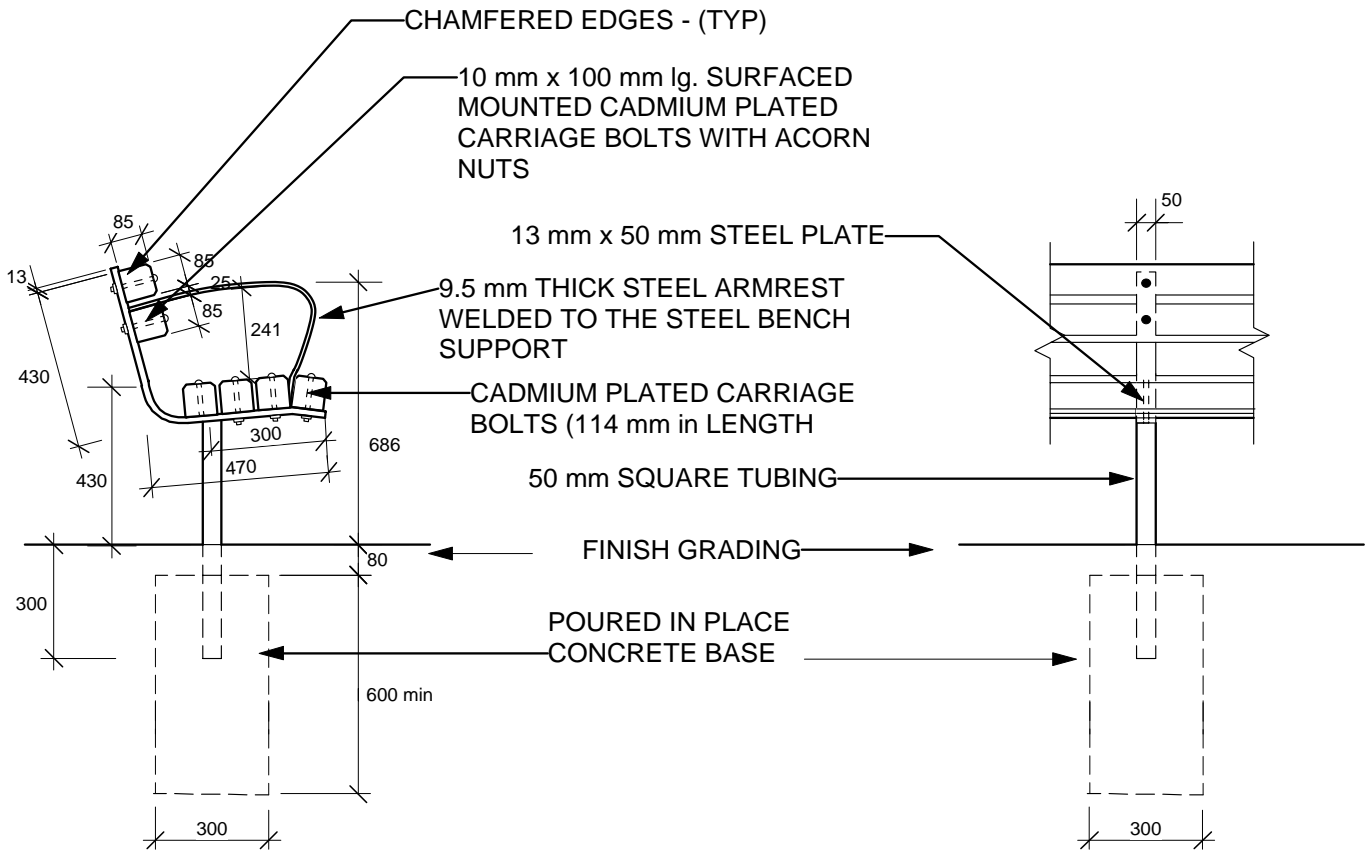
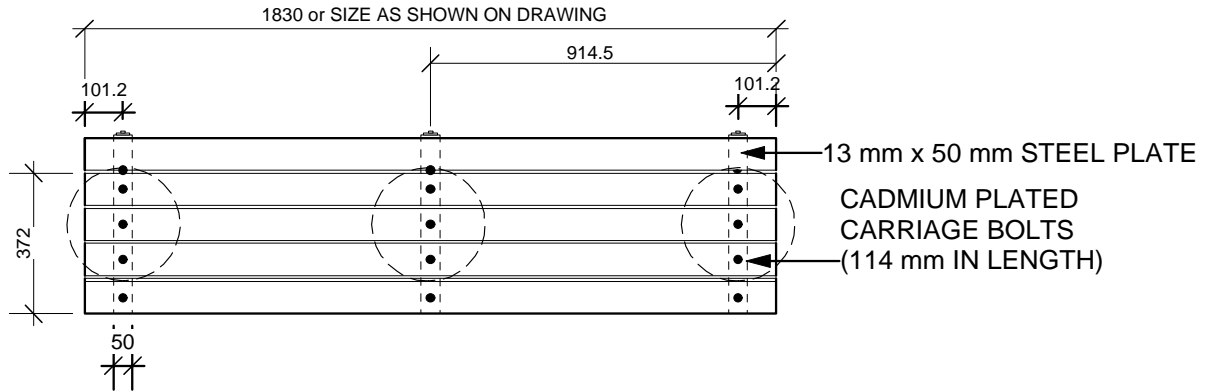
- **BLACK POWDERCOATED** - (Metal suitably cleaned to remove any grease, wax etc. for proper paint bonding to occur. Base coat Zinc rich primer. Baked with a final thickness of paint between 5 - 8 mil - **Product # 52501085**)
- **GALVANIZED** - **Product # 52501085GLV**

Drawing Title:

TACHE BENCH COMPOSITE WITH ARMS

Drawing No:

SCD-121A



SIDE ELEVATION

FRONT ELEVATION

DIMENSIONS SHOWN ARE IN MILLIMETRES UNLESS OTHERWISE SPECIFIED

REVISION: 1
 DATE: January 12, 2012
 SCALE: NTS
 DRAWN BY: SP

The City of Winnipeg
 Planning, Property and Development Department
 Planning and Land Use Division
 Unit 15 - 30 Fort Street, Winnipeg, MB, R3C 4X5

