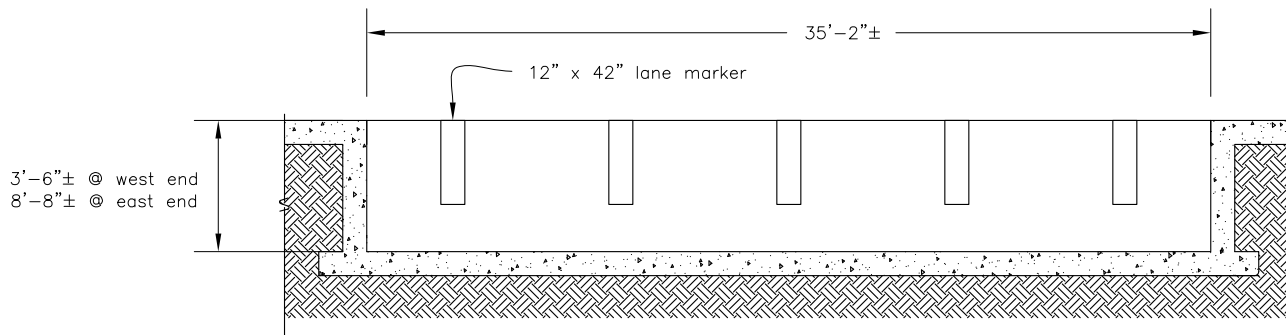


○ North & South Pool Tank Wall Elevations  
 Scale: 1/8" = 1'-0"

ASSUMED 250 sq ft of  
 Concrete Wall Repairs  
 in Base Bid Price  
 Total Concrete Wall Repairs  
 to be Site Determined After  
 Wall has been Sandblasted



○ West & East Pool Tank Wall Elevations  
 Scale: 1/8" = 1'-0"

# SK-3

Pool Tank Surface Repairs  
 Transcona Centennial Pool  
 1101 Wabasha St Winnipeg MB  
 City of Winnipeg



**GC ENGINEERING LTD.**  
 675 ELM ST.  
 WINNIPEG MB R3M 3N8  
 PH (204) 793-3948  
 EMAIL CALGRAY@LIVE.CA