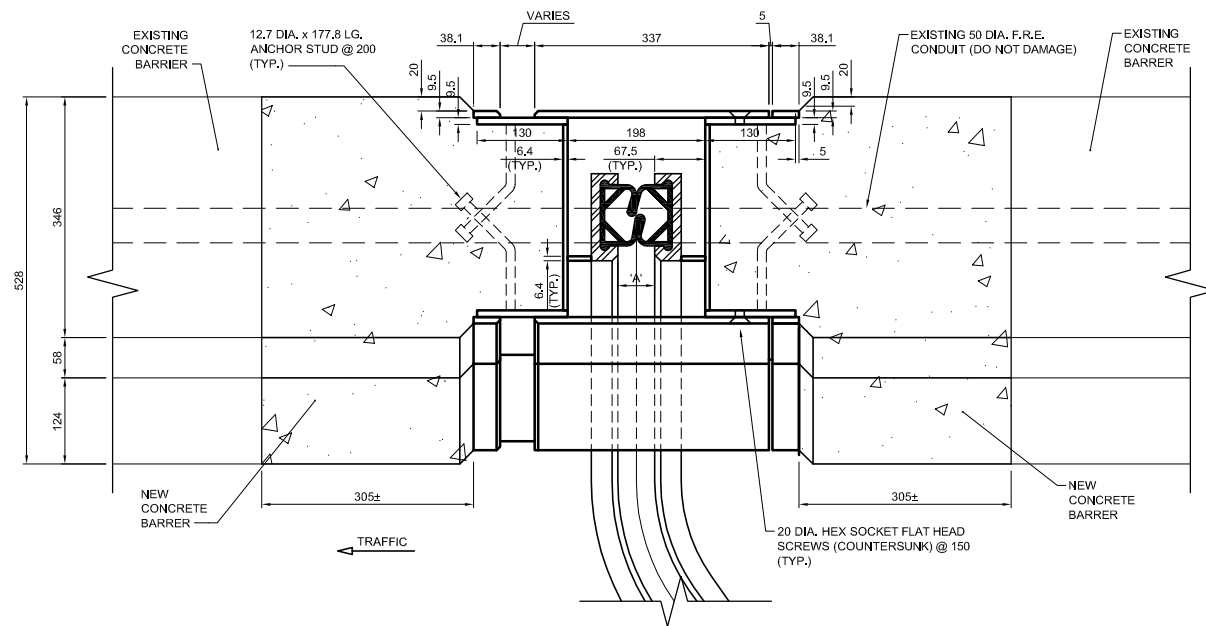
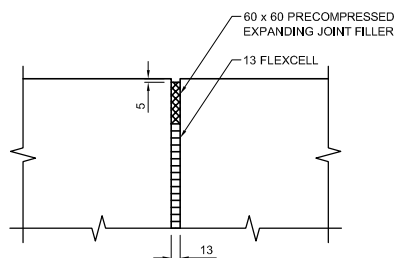


A EXISTING BARRIER SECTION
11/12 1:5

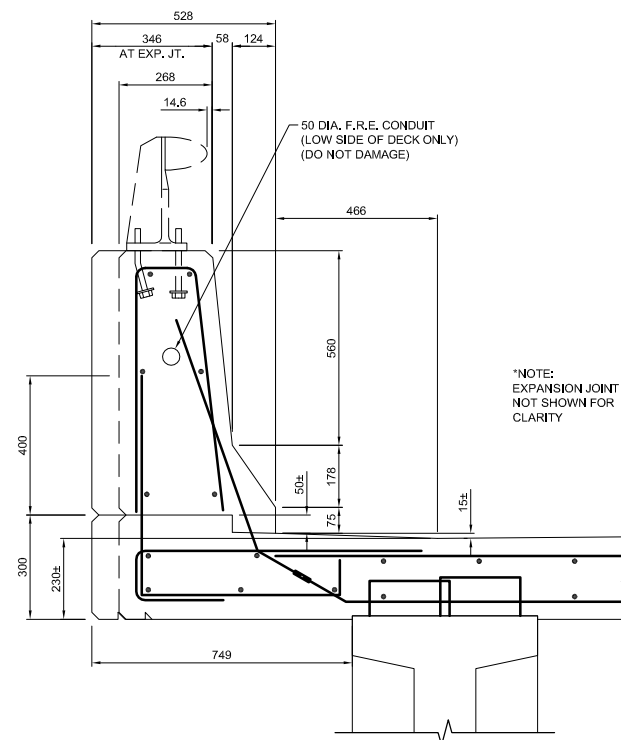


B PROPOSED BARRIER SECTION
11/12 1:5

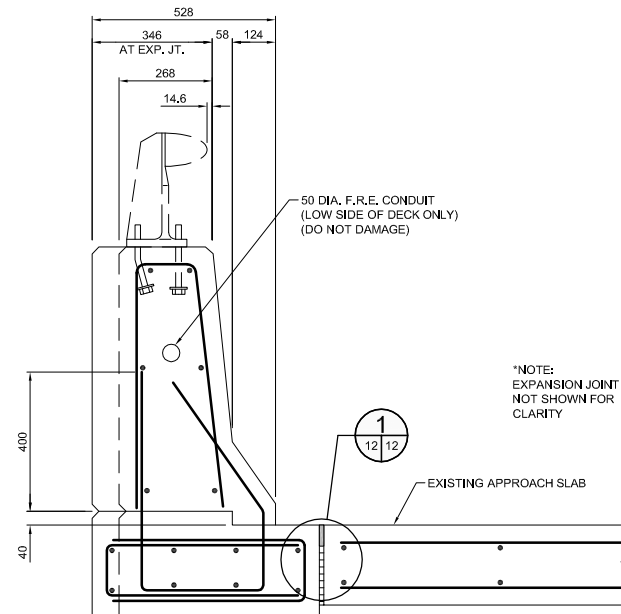
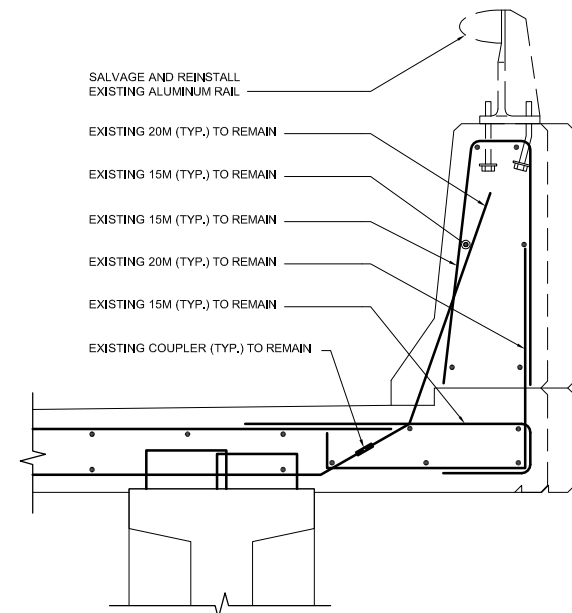


1 DETAIL
11/12 1:5

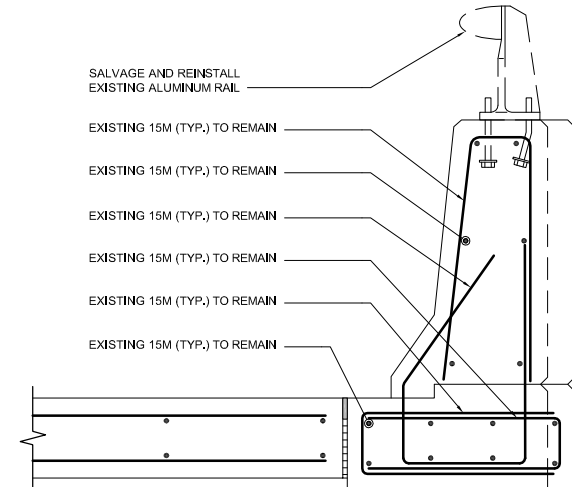
GAP SETTING TABLE						
TEMPERATURE (°C)	-40	0	10	20	30	40
DIMENSION 'A' (mm)	48	46	43	41	38	35



C BARRIER AND DECK REINFORCING DETAIL DECK SIDE
11/12 1:10



D BARRIER AND DECK REINFORCING DETAIL APPROACH SIDE
11/12 1:10



- NOTES:
- DO NOT DAMAGE THE ALUMINUM BRIDGE RAIL DURING REMOVAL.
 - ALUMINUM BRIDGE RAIL SHALL BE SALVAGED AND RE-INSTALLED IN ACCORDANCE WITH THE CITY OF WINNIPEG STANDARD CW 3650.

APEGM
Certificate of Authorization
Dillon Consulting Limited (MB)
No. 1789 Date: May 8, 2012

**DRAWING REDUCED
NOT TO SCALE**

B.M.1 ELEV. 242.564 (LOCAL SURVEY)	DESIGNED BY GCL		ENGINEER'S SEAL PROVINCE OF MANITOBA REGISTERED PROFESSIONAL ENGINEER G.C. LOEPPKY MAY 9, 2012 Member 24656	
B.M.2 ELEV. 233.125 (LOCAL SURVEY)	DRAWN BY JGW			2012 BRIDGE MAINTENANCE PROGRAM ROUTE 20 KEEWATIN OVERPASS
	CHECKED BY SSR			
	APPROVED BY MBL		EXPANSION JOINT - DETAILS (3 OF 3)	
1 ISSUED FOR TENDER 05/08/12 JGW	HOR. SCALE AS SHOWN	RELEASED FOR CONSTRUCTION	CONSULTANT PROJECT NO. 12-5995	
0 ISSUED FOR REVIEW 05/01/12 JGW	VERTICAL AS SHOWN			
NO. REVISIONS	DATE	DATE	DATE	

DESIGNED BY: GCL
DRAWN BY: JGW
CHECKED BY: SSR
APPROVED BY: MBL
HOR. SCALE AS SHOWN
VERTICAL AS SHOWN
RELEASED FOR CONSTRUCTION
DATE: MAY 8, 2012

THE CITY OF WINNIPEG
PUBLIC WORKS DEPARTMENT
2012 BRIDGE MAINTENANCE PROGRAM
ROUTE 20 KEEWATIN OVERPASS
EXPANSION JOINT - DETAILS (3 OF 3)
CITY DRAWING NUMBER: B123-12-13-R1
SHEET 13 OF 15
BID OPP. NO. 363-2012