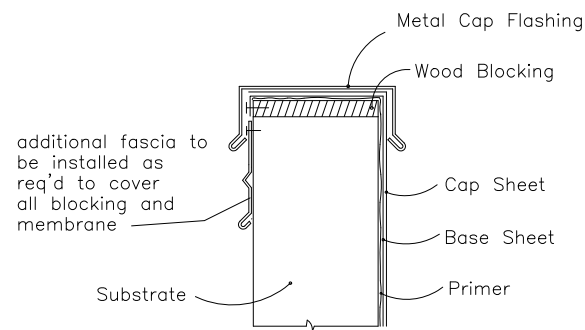
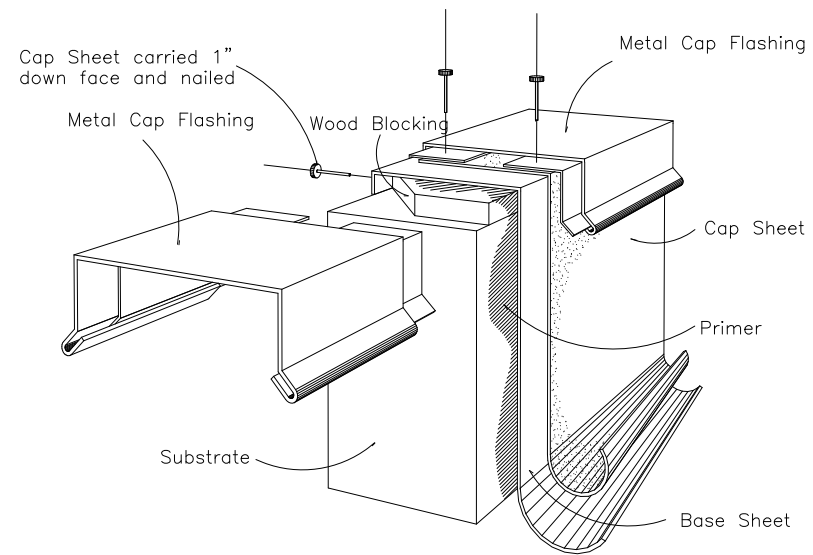


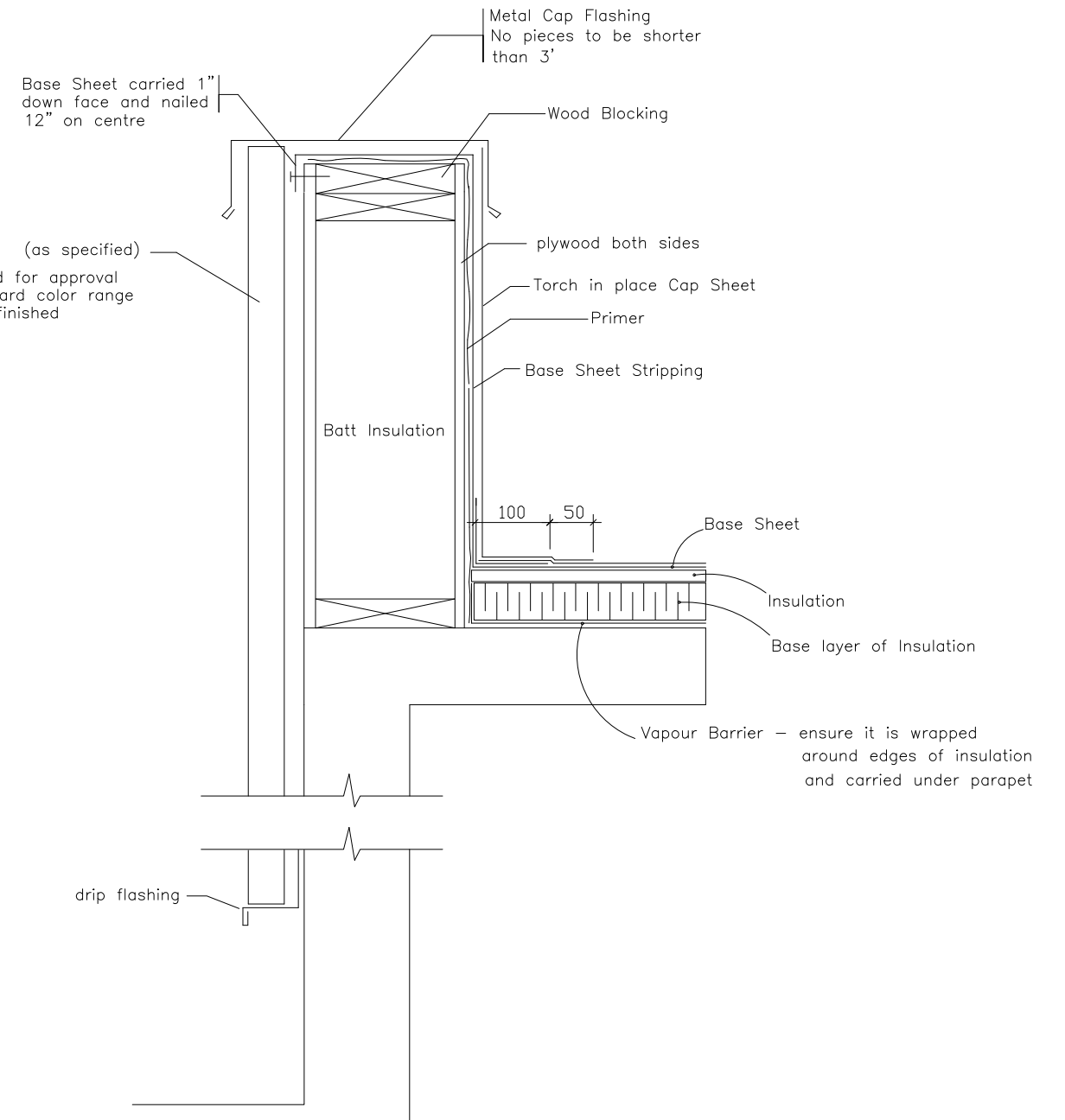
Typical Parapet Construction

Typical Coping Flashing



new siding & Tyvek (as specified)

- Sample to be submitted for approval
- color to be from standard color range
- to be secured with prefinished screws and washers



AGASSIZ CONSULTING GROUP

809 Pipeline Road, Winnipeg, Manitoba
Phone: 697-8091 Fax: 697-8039

Project: Old Fire Hall
1466 William Avenue
Winnipeg, MB

Date: March 29, 2012

Drawing No. D-1

File no: 4415-12 Scale: N.T.S.