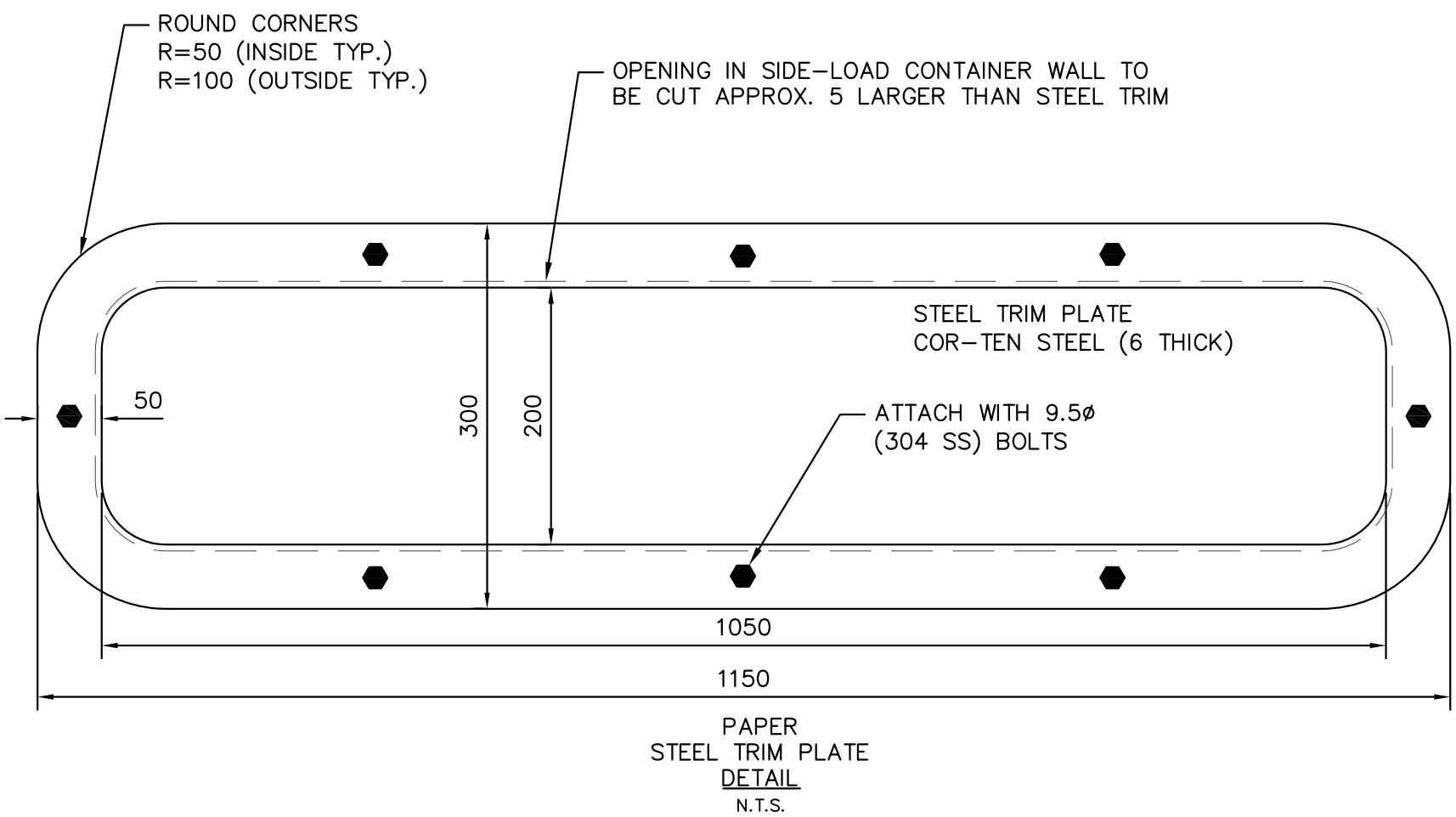


SIDE-LOAD RECYCLING DEPOT  
CONTAINER FOR PAPER  
FRONT VIEW  
N.T.S.



PAPER  
STEEL TRIM PLATE  
DETAIL  
N.T.S.

**METRIC**  
WHOLE NUMBERS INDICATE MILLIMETRES  
DECIMALIZED NUMBERS INDICATE METRES

B.M. ELEV.	FIELD BOOK #	CITY OF WINNIPEG WATER AND WASTE ENGINEERING DIVISION		ENGINEER'S SEAL	<b>THE CITY OF WINNIPEG</b> WATER AND WASTE DEPARTMENT
POSTED TO LBIS				DESIGNED BY	
			DRAWN BY <b>WKT</b>	APPROVED BY	RETROFIT OF <b>SIDE-LOAD RECYCLING DEPOT          CONTAINER FOR PAPER</b>
			HOR. SCALE N.T.S.	RELEASED FOR CONSTRUCTION	
			VERTICAL	DATE <b>2007 09 18</b>	SHEET <b>2</b> OF <b>3</b> CITY DRAWING NUMBER <b>SWD-D-393</b>
NO.	REVISIONS	DATE	BY	DATE	FILENAME : SWD-D-393.dwg PLOT DATE : 2012 06 13