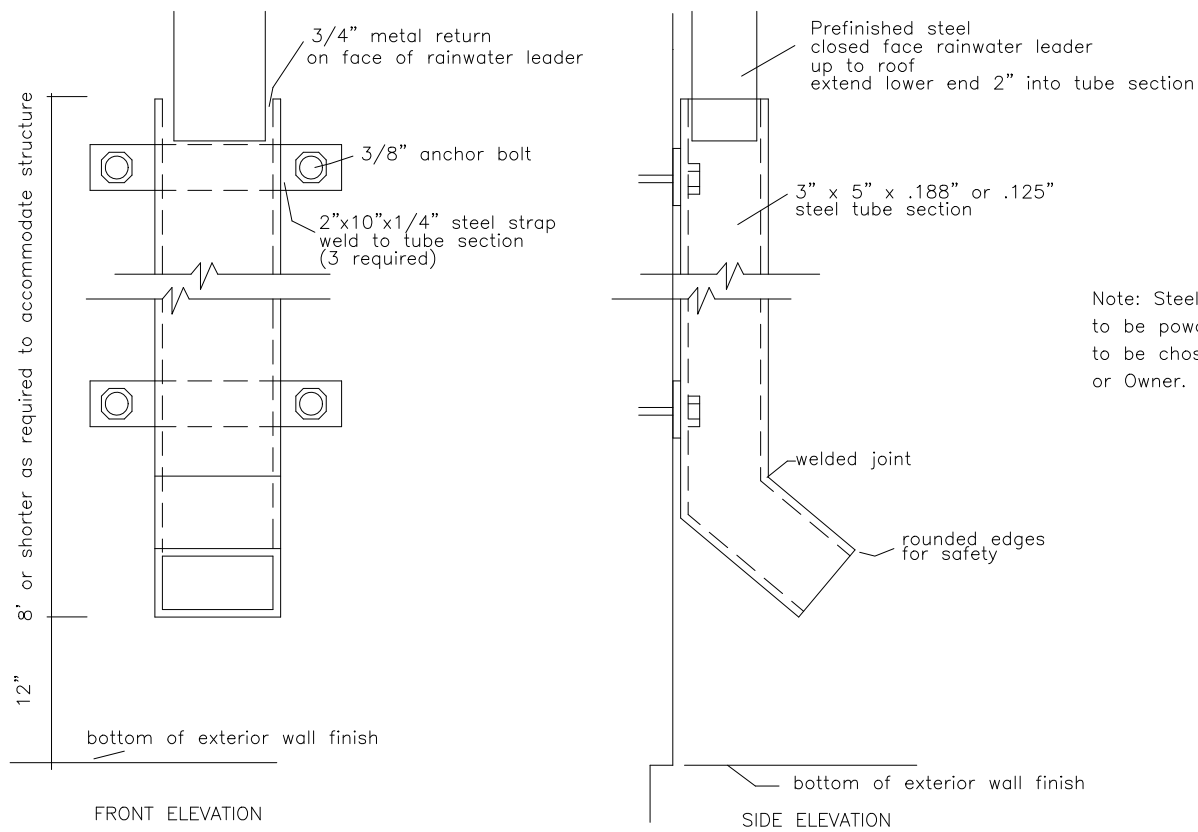
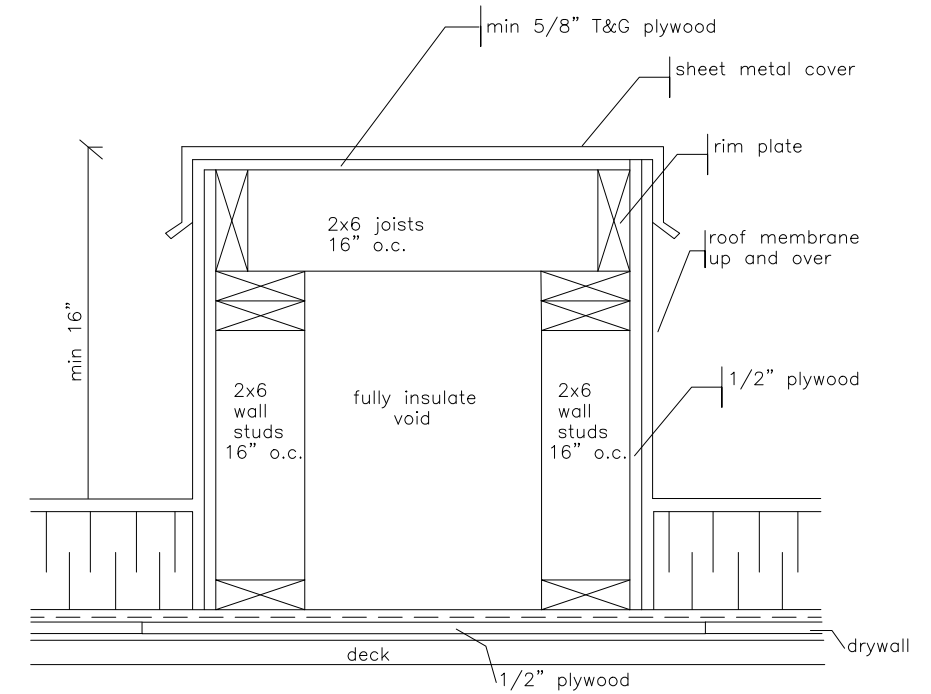


Structural Down Pipes

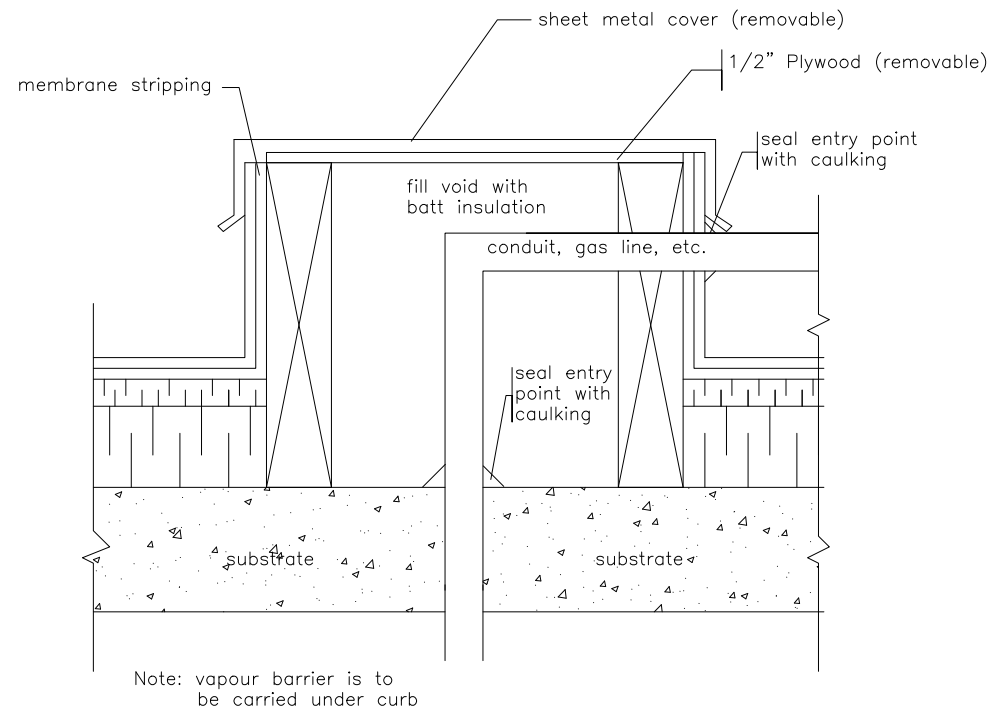


Note: Steel down pipes are to be powder coated. Color to be chosen by the Consultant or Owner.

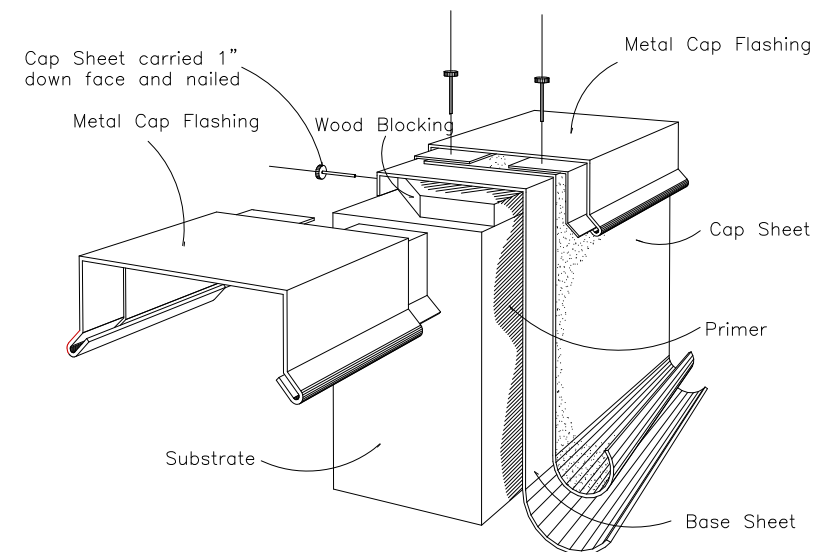
Covered Mechanical Curb



Typical Curb Style Pitch Box



Typical Parapet Cap



AGASSIZ CONSULTING GROUP

809 Pipeline Road, Winnipeg, Manitoba
Phone: 697-8091 Fax: 697-8039

Project: Gateway Arena
1717 Gateway Road
Winnipeg, MB

Date: July 18, 2011

Drawing No. D-1

File no: 3213-11B Scale: N.T.S.