

NOTE: CHAINAGES SHOWN ARE ALONG E L OF CORDOVA ST

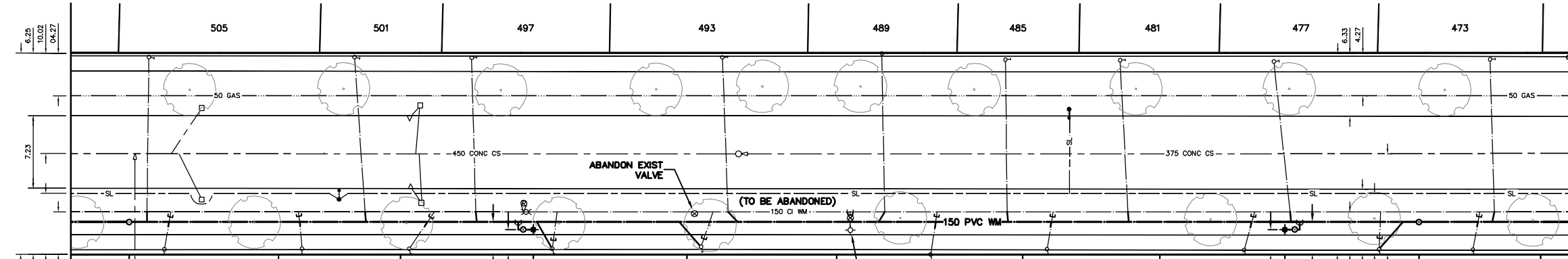
CORDOVA STREET



WATER SERVICE INFORMATION

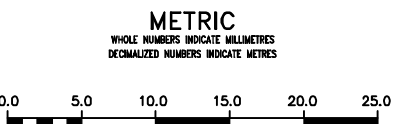
ADDRESS	SIZE (mm) MATERIAL (STREET)	SIZE (mm) (PROP.)	SHORT & LONG MEASUREMENT	CORP. LOCATION	REMARKS
505 CORDOVA ST	20	20	1.70 N OF S HL		OPP OF S/C
RESIDENTIAL	COPPER	COPPER	123.74>NNL FLEET		
504 CORDOVA ST	20	20	2.37 N OF S HL		0.6 N OF S/C
RESIDENTIAL	COPPER	COPPER	125.68>NNL FLEET		
501 CORDOVA ST	20	20	1.25 N OF S HL		1.1 N OF S/C
RESIDENTIAL	COPPER	COPPER	144.25>NNL FLEET		
500 CORDOVA ST	20	20	1.15 N OF S HL		0.5 S OF S/C
RESIDENTIAL	COPPER	COPPER	139.44>NNL FLEET		
497 CORDOVA ST	20	20	0.77 N OF S HL		0.3 N OF S/C
RESIDENTIAL	COPPER	COPPER	155.96>NNL FLEET		
496 CORDOVA ST	20	20	0.33 S OF S HL		2.5 N OF S/C
RESIDENTIAL	COPPER	COPPER	150.15>NNL FLEET		
493 CORDOVA ST	20	20	8.15 N OF S HL		0.4 N OF S/C
RESIDENTIAL	COPPER	COPPER	180.97>NNL FLEET		
490 CORDOVA ST	20	20	0.72 N OF S HL		0.5 N OF S/C
RESIDENTIAL	COPPER	COPPER	164.44>NNL FLEET		
489 CORDOVA ST	20	20	5.14 N OF S HL		OPP OF S/C
RESIDENTIAL	COPPER	COPPER	196.95>NNL FLEET		
488 CORDOVA ST	20	20	0.18 N OF S HL		1.2 N OF S/C
RESIDENTIAL	COPPER	COPPER	176.39>SSL CORYDON		
485 CORDOVA ST	20	20	2.19 N OF S HL		0.2 N OF S/C
RESIDENTIAL	COPPER	COPPER	146.27>SSL CORYDON		
481 CORDOVA ST	20	20	2.09 N OF S HL		0.8 N OF S/C
RESIDENTIAL	COPPER	COPPER	134.79>SSL CORYDON		
480 CORDOVA ST	20	20	8.01 N OF S HL		0.6 N OF S/C
RESIDENTIAL	COPPER	COPPER	153.41>SSL CORYDON		
477 CORDOVA ST	20	20	3.13 N OF S HL		1.6 N OF S/C
RESIDENTIAL	COPPER	COPPER	119.83>SSL CORYDON		
476 CORDOVA ST	20	20	0.71 N OF S HL		0.6 N OF S/C
RESIDENTIAL	COPPER	COPPER	141.80>SSL CORYDON		
473 CORDOVA ST	20	20	8.61 N OF S HL		0.4 N OF S/C
RESIDENTIAL	COPPER	COPPER	97.83>SSL CORYDON		
472 CORDOVA ST	20	20	6.87 N OF S HL		1.1 N OF S/C
RESIDENTIAL	COPPER	PVC	122.10>SSL CORYDON		
469 CORDOVA ST	20	20	0.86 N OF S HL		0.3 N OF S/C
RESIDENTIAL	COPPER	COPPER	90.35>SSL CORYDON		
468 CORDOVA ST	20	20	7.93 N OF S HL		OPP OF S/C
RESIDENTIAL	COPPER	COPPER	108.61>SSL CORYDON		
465 CORDOVA ST	20	20	0.50 N OF S HL		0.7 N OF S/C
RESIDENTIAL	COPPER	COPPER	74.81>SSL CORYDON		
464 CORDOVA ST	20	20	3.39 N OF S HL		0.7 N OF S/C
RESIDENTIAL	COPPER	COPPER	99.24>SSL CORYDON		

* SERVICES TO BE RENEWED TO R. ALL OTHERS TO BE RECONNECTED



MATCHLINE 2+36.475
(SEE DWG D-12740)

MATCHLINE 3+86.474
(SEE DWG D-12742)



WARNING
IF POWER EQUIPMENT OR EXPLOSIVES ARE TO BE USED FOR EXCAVATION ON THIS PROJECT THE CONTRACTOR MUST:
1) NOTIFY THE GAS COMPANY OF THE PROPOSED LOCATION OF EXCAVATION.
2) TAKE PRECAUTION TO AVOID DAMAGE TO GAS COMPANY INSTALLATIONS.
SEE PROVINCIAL REGULATION 21072 FOR DETAILS

LOCATION APPROVED UNDERGROUND STRUCTURES
SUPV. U/G STRUCTURES COMMITTEE DATE
NOTE:
LOCATION OF UNDERGROUND STRUCTURES AS SHOWN ARE BASED ON THE BEST INFORMATION AVAILABLE BUT NO GUARANTEE IS GIVEN THAT ALL EXISTING UTILITIES ARE SHOWN OR THAT THE GIVEN LOCATIONS ARE EXACT. CONFIRMATION OF EXISTENCE AND EXACT LOCATION OF ALL SERVICES MUST BE OBTAINED FROM THE INDIVIDUAL UTILITIES BEFORE PROCEEDING WITH CONSTRUCTION.

B.M. ELEV.	
CONSTRUCTION COMPLETION DATE: YYYY MM DD	
DESIGNED BY	RL
CHECKED BY	SC
DRAWN BY	RS/CJH
APPROVED BY	KZ
S/SCALE:	
HORIZONTAL	1:250
VERTICAL	1:50
RELEASED FOR CONSTRUCTION	KAS ZUREK
DATE	2012 03 28
DATE	MARCH 28, 2012
NO.	REVISIONS
	DATE
	BY
	DATE
	2012 03 28
	2012 03 29

ENGINEER'S SEAL
ORIGINAL SIGNED BY
S.R.J.
COURNOYER
12-03-28
CONSULTANT DRAWING NUMBER

THE CITY OF WINNIPEG
WATER AND WASTE DEPARTMENT
ENGINEERING DIVISION
2012 WATERMAIN RENEWALS
CORDOVA STREET
126 N OF FLEET AVENUE TO
104 S OF CORYDON AVENUE
SHEET 4 OF 11
CITY DRAWING NUMBER
D-12741