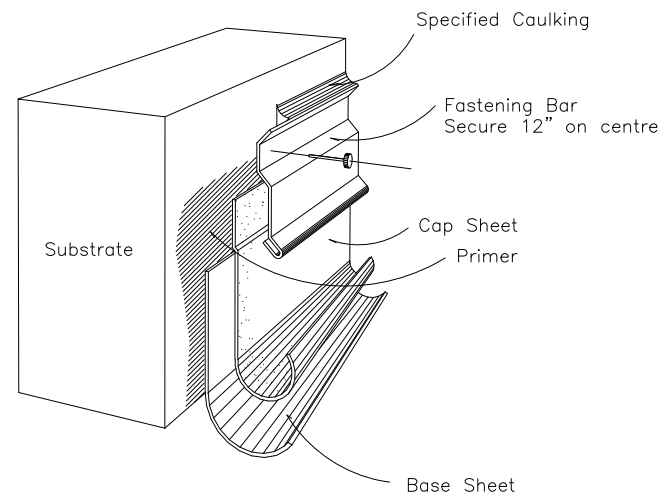
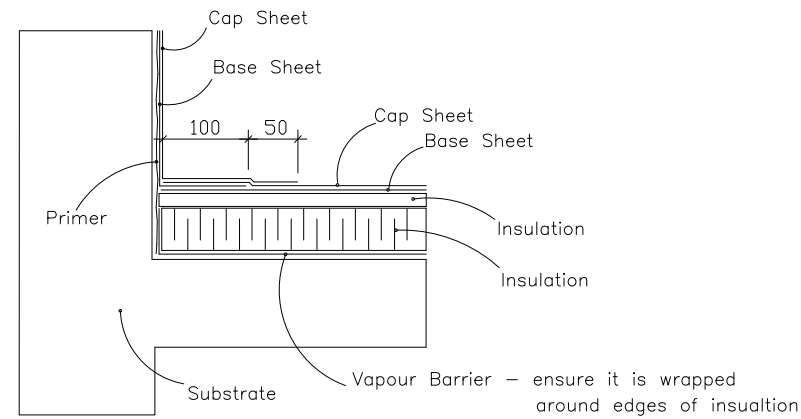


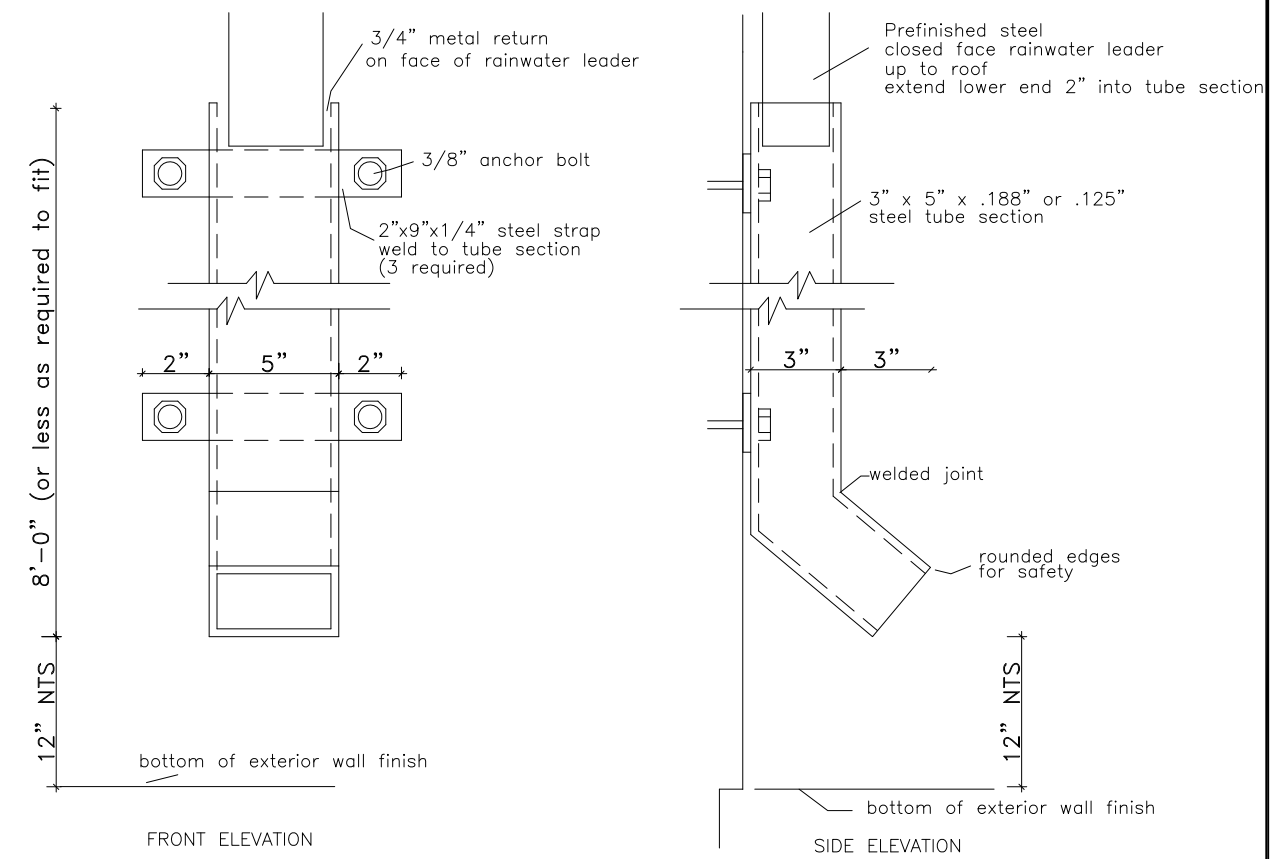
Typical Fastening Bar



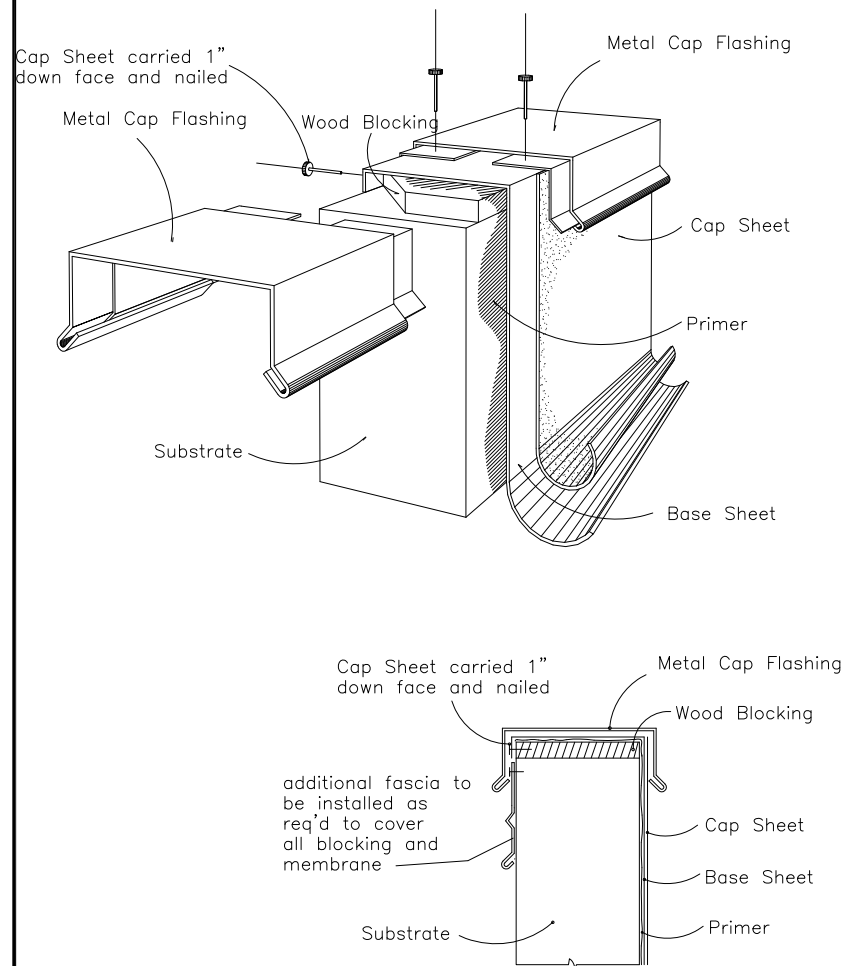
Typical Roof Edge Detail



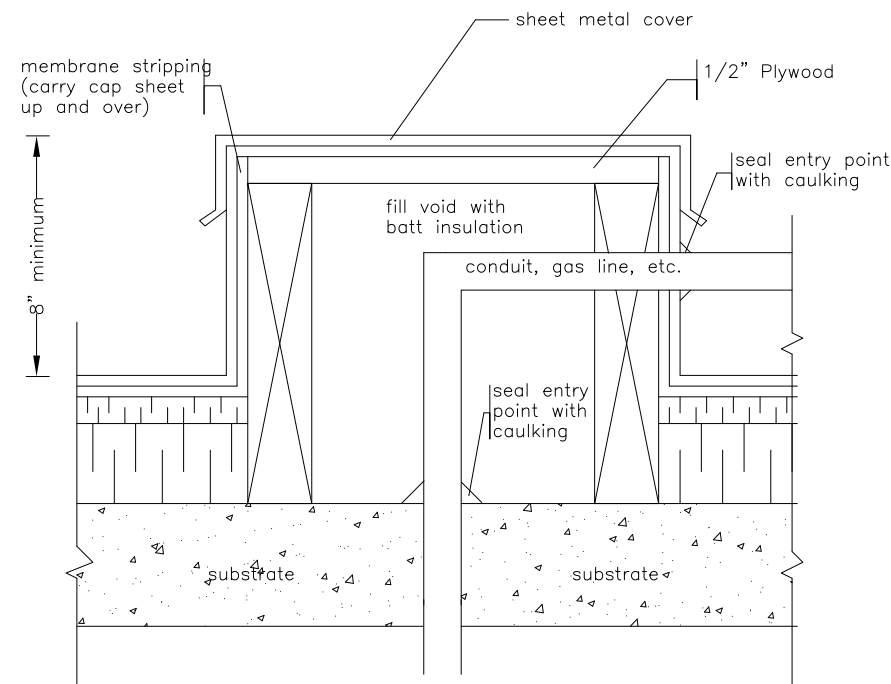
Structural Down Pipes



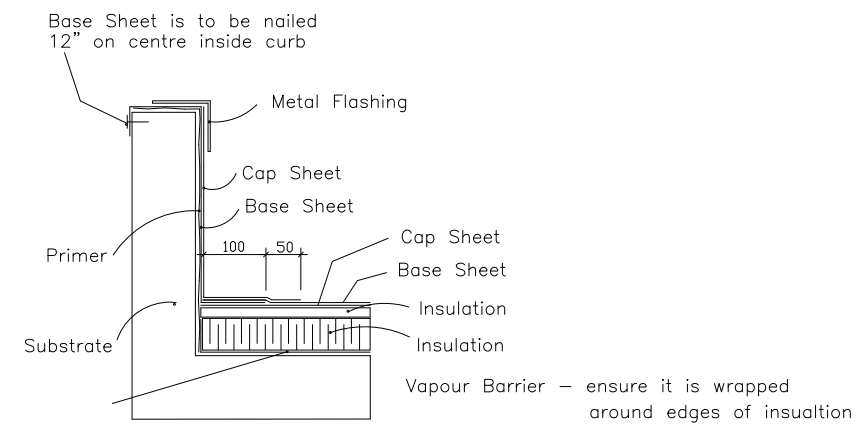
Typical Parapet & Divider



Typical Curb Style Pitch Box



Mechanical Curb Flashing



Note: Details are to be similar for inverted roof assemblies

AGASSIZ CONSULTING GROUP	
809 Pipeline Road, Winnipeg, Manitoba Phone: 697-8091 Fax: 697-8039	
Project: Waverley Heights Comm. Ctr. 1885 Chancellor Drive Winnipeg, MB	
Date: January 13, 2012	
Drawing No.	D-1
File no: 3498-12	Scale: N.T.S.