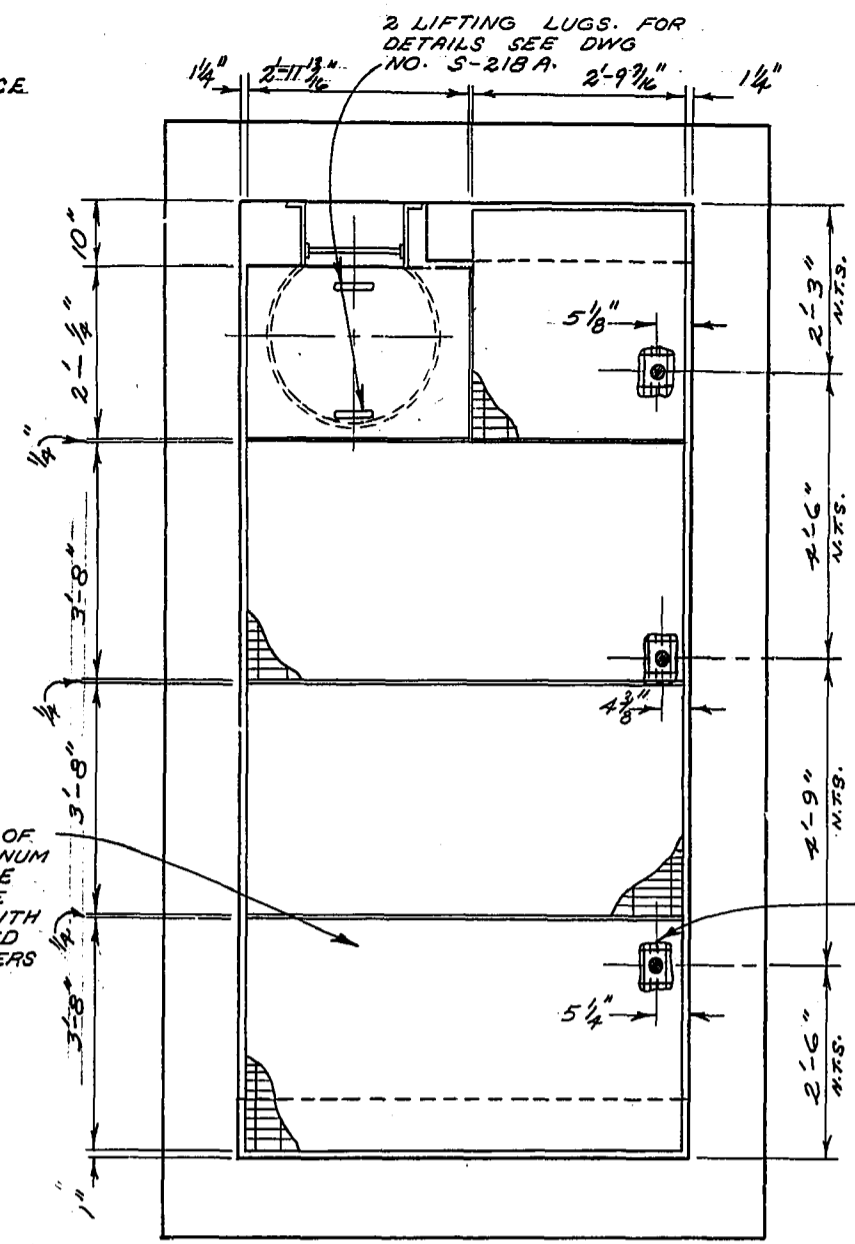
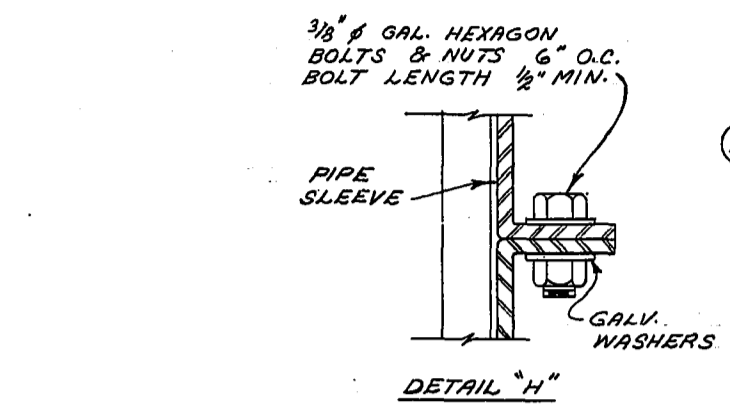


CONCRETE BEAMS AND ANGLE IRON DETAILS

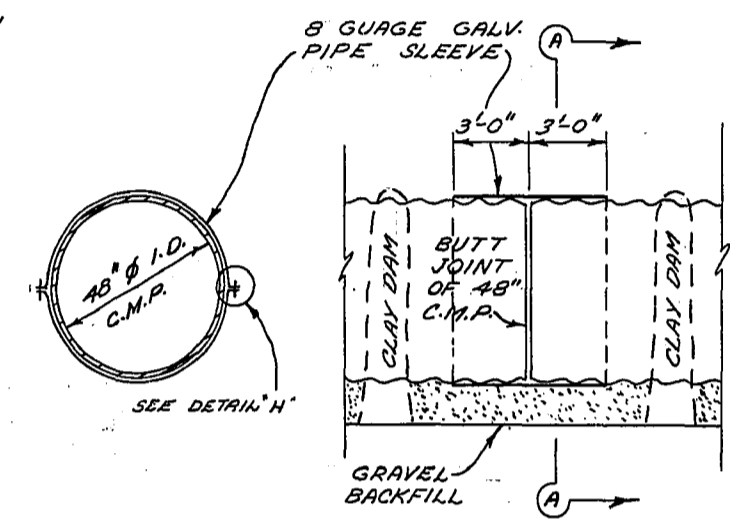


GRATING DETAIL

DETAIL OF SAFETY PLATFORM SIPHON OUTLET CHAMBER



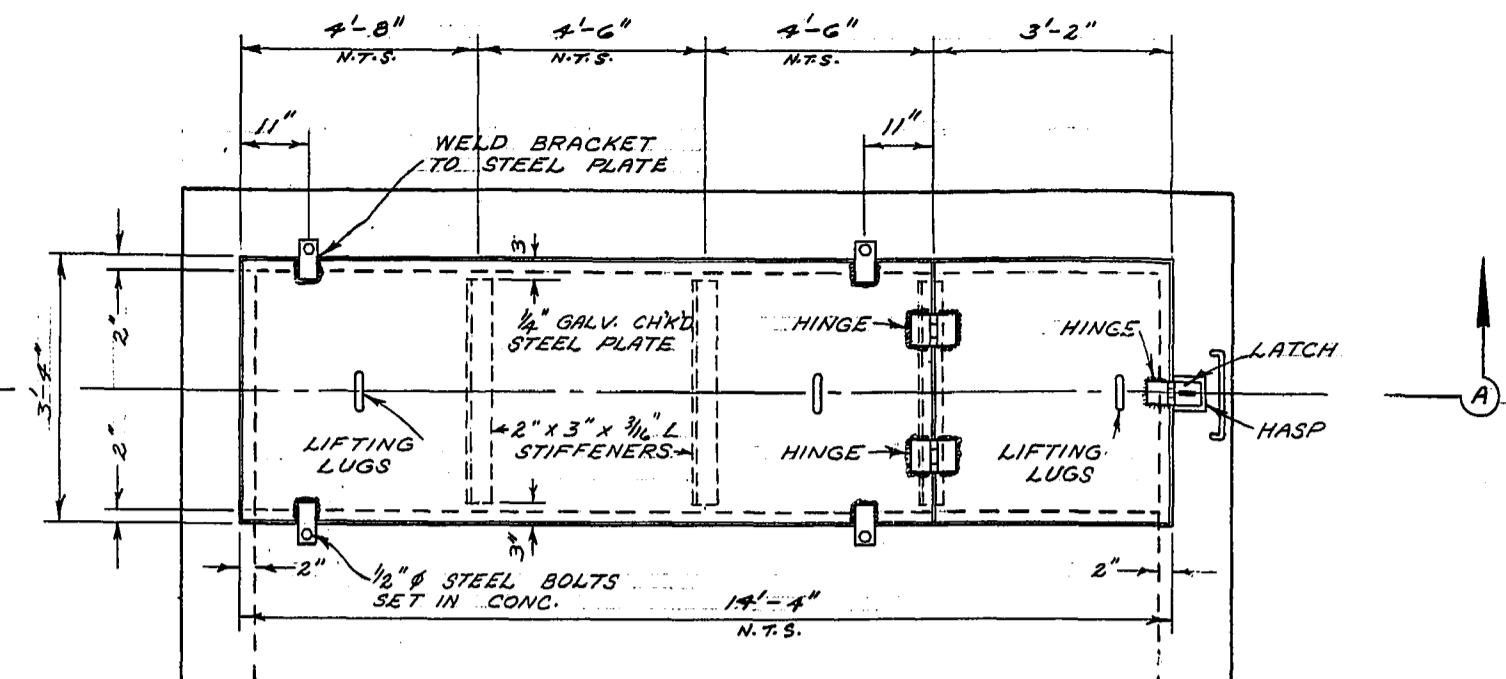
DETAIL "H"



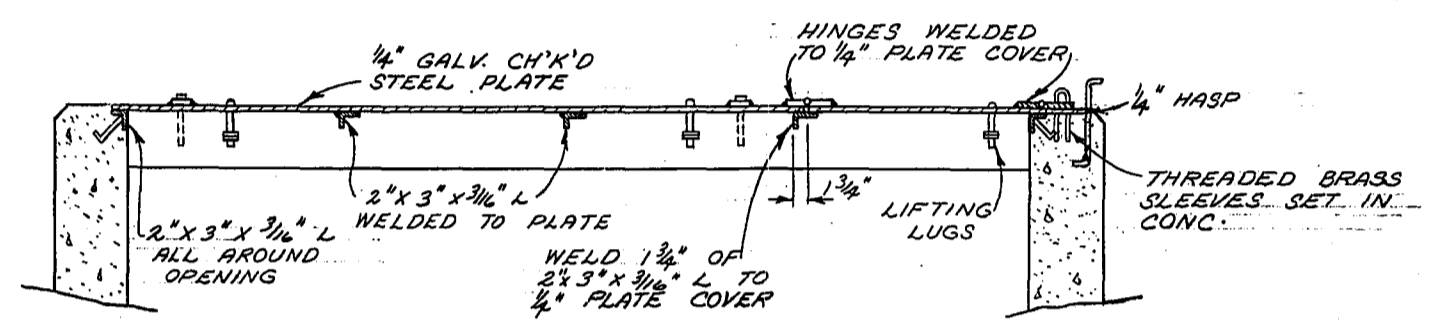
SECTION "A-A"

LONGITUDINAL SECTION

SLIP JOINT DETAIL

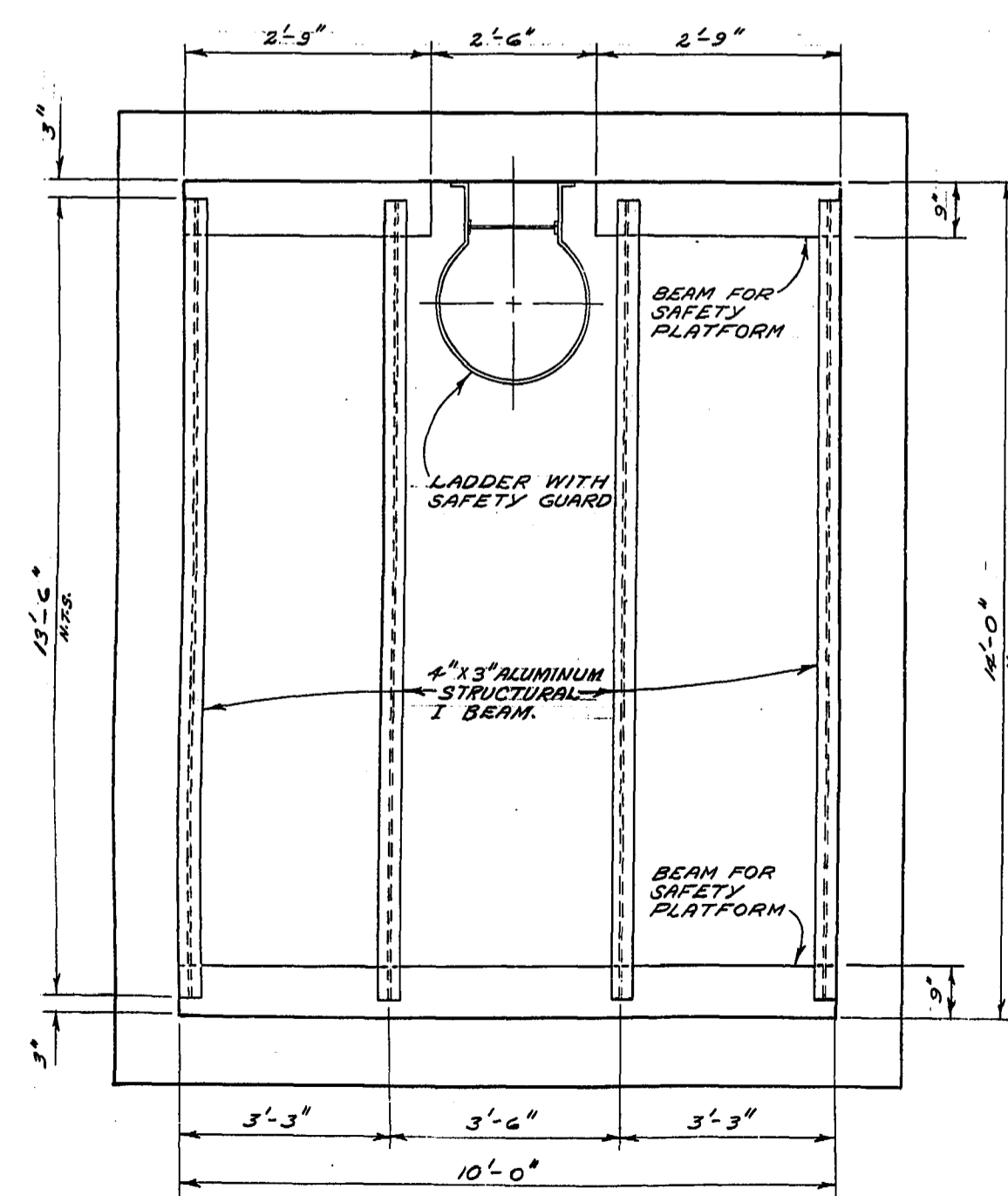


PLAN

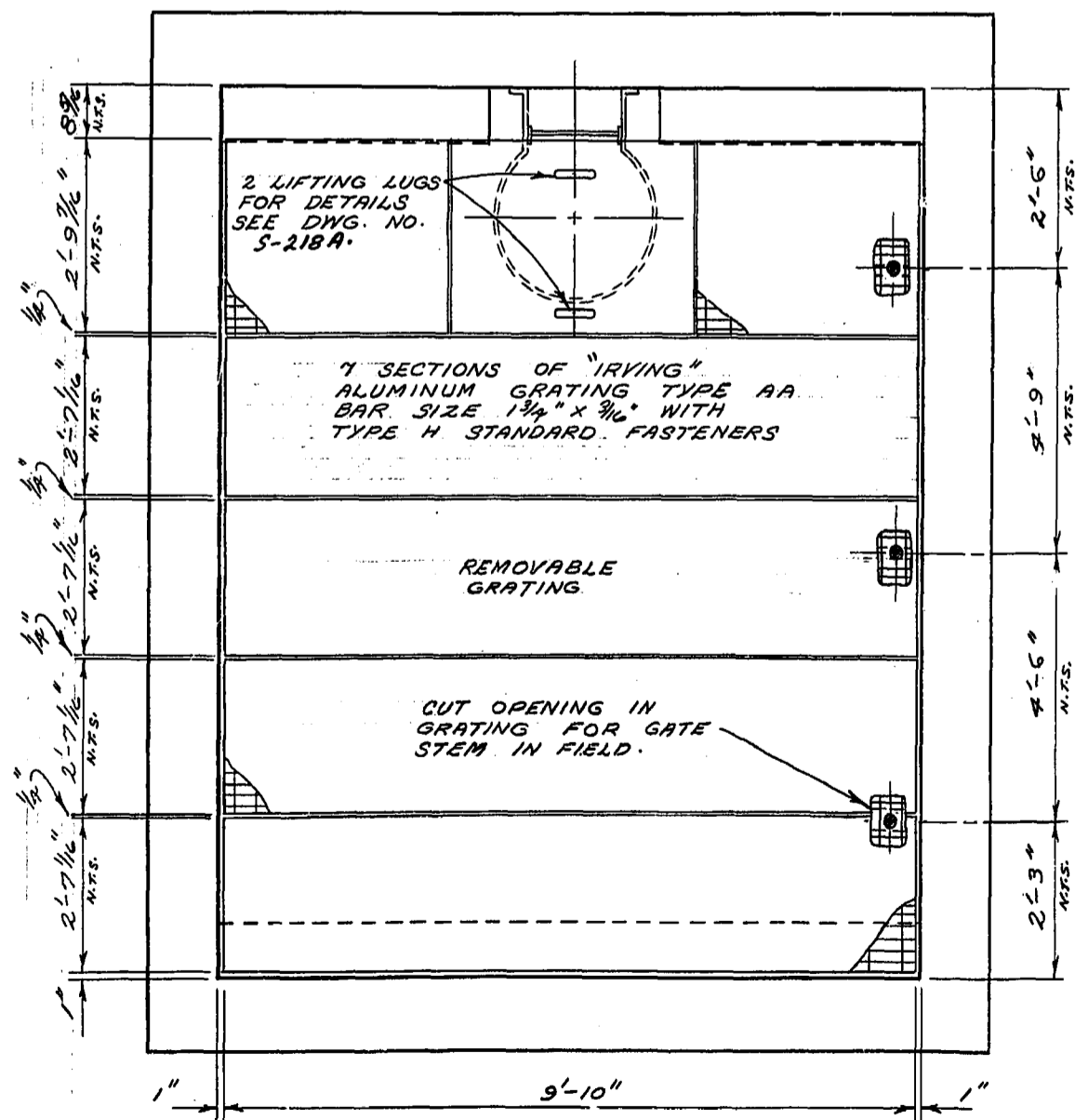


SECTION "A-A"

PLATE COVER FOR INLET AND OUTLET CHAMBERS

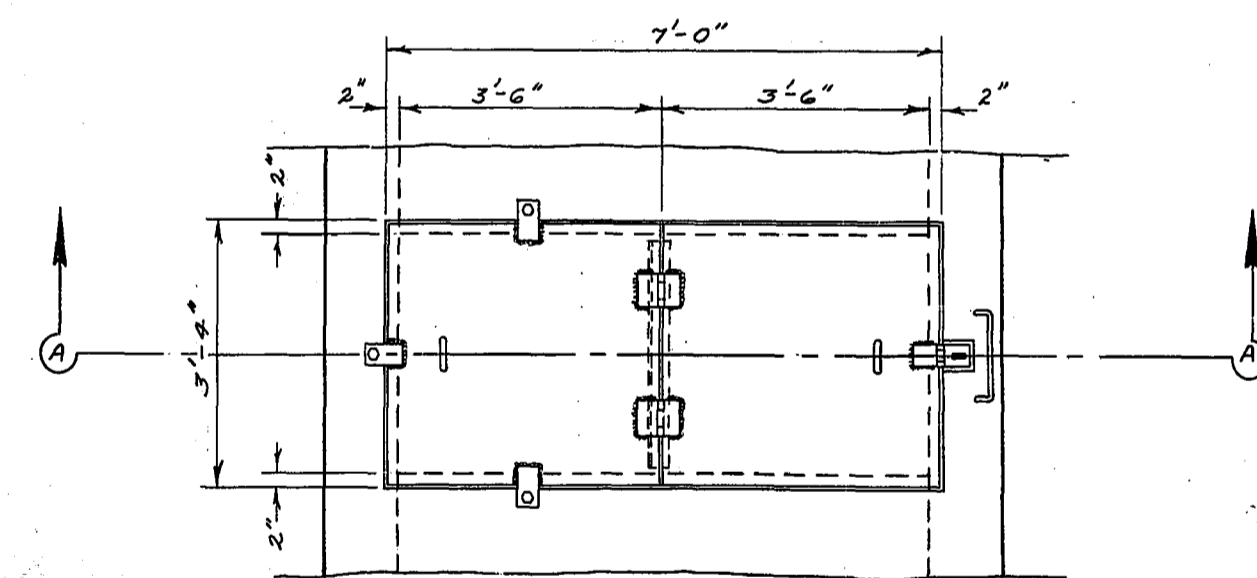


CONCRETE BEAM AND ANGLE IRON DETAIL

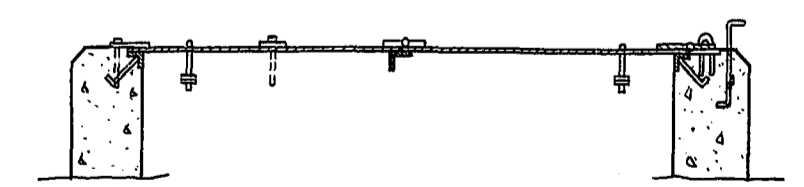


GRATING DETAIL

DETAIL OF SAFETY PLATFORM SIPHON INLET CHAMBER

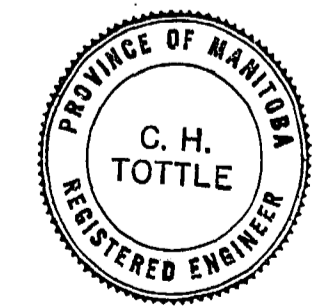


PLAN



SECTION "A-A"

PLATE COVER FOR OVERFLOW CHAMBER



SURVEYED & PLAN CHECKED BY: APPROVED AS BUILT: DATE: MAR. 1972

THE METROPOLITAN CORPORATION OF GREATER WINNIPEG WATERWORKS & WASTE DISPOSAL DIVISION PENMAN - DIRECTOR

SEWAGE DISPOSAL DEPT. DESIGNED BY: CH'KD. BY: DRN. H. DUMORE DATE: SEPT. 3/70 ENG. DESIGNED BY: ENG. APPROVED BY:

SCALE: 1/2" = 1'-0" DRAWING NO. 497