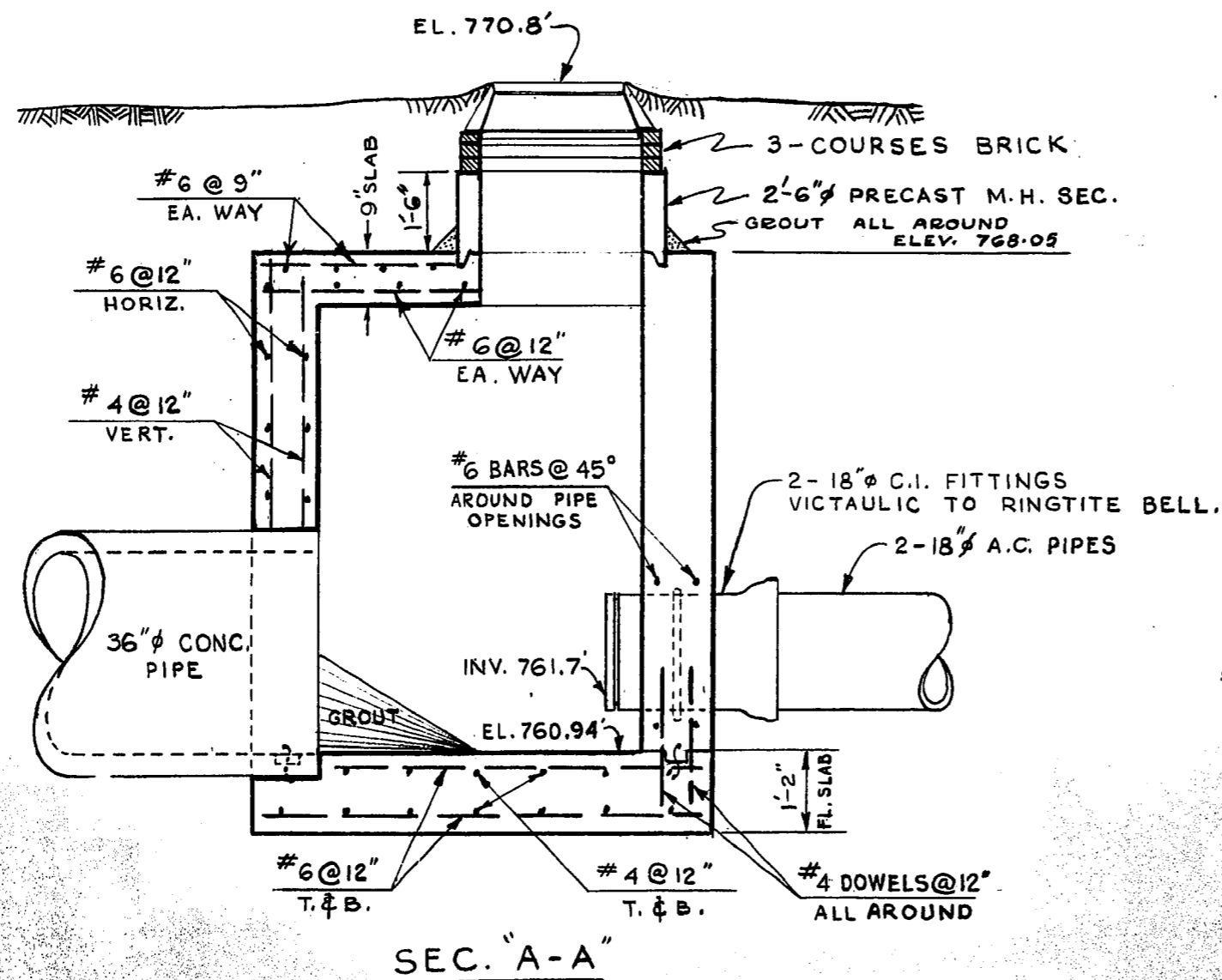


THRUST BLOCK DETAIL
STA. 69+98.2

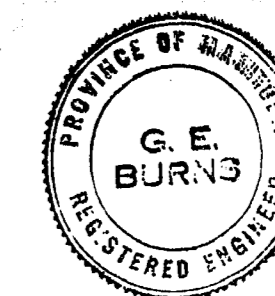
NOTES

- 1 HOT. GALV. ALL MISC. IRON & STEEL WORK.
- 2 CEMENT FONDU SHALL BE USED IN ALL CONC. WORK FOR SPECIAL MANHOLE.
- 3 SUPPLY 2-18" STYLE 44 VICTAULIC COUPLINGS



SPECIAL MANHOLE AT ASHCROFT PT.
STA. 73+00.3

AS BUILT
MAR. 1971 V.D.



REVISIONS			THE METROPOLITAN CORPORATION OF GREATER WINNIPEG WATERWORKS & WASTE DISPOSAL DIVISION SEWAGE DISPOSAL BRANCH	
NO.	DESCRIPTION	DATE BY		
1				
2				
3				
4				
5				
6				
7				
8				

APPROVED BY <i>[Signature]</i> CHIEF ENGINEER	DESIGNED BY M.W. SLEZAK	CHECKED BY <i>[Signature]</i>	DATE 31 MAY 63	DRAWING NO. 448
SCALES 1/2" = 1'-0"				