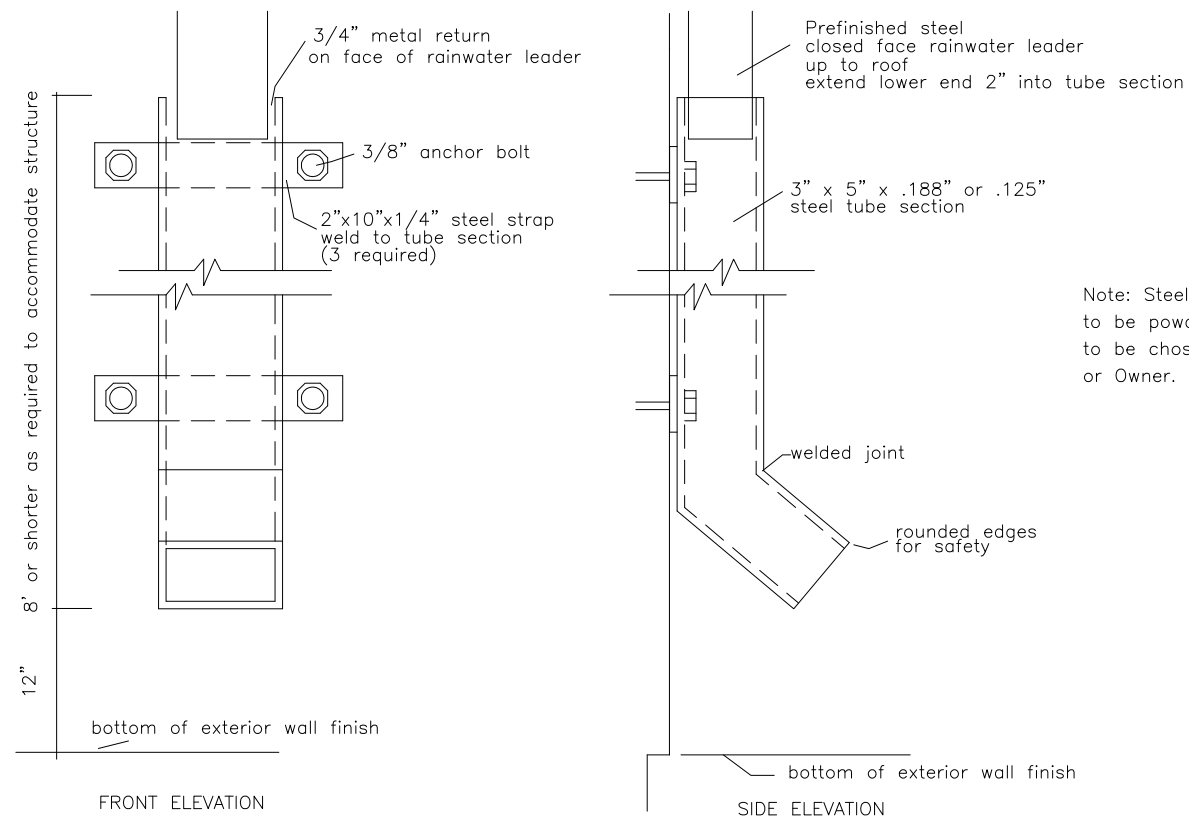
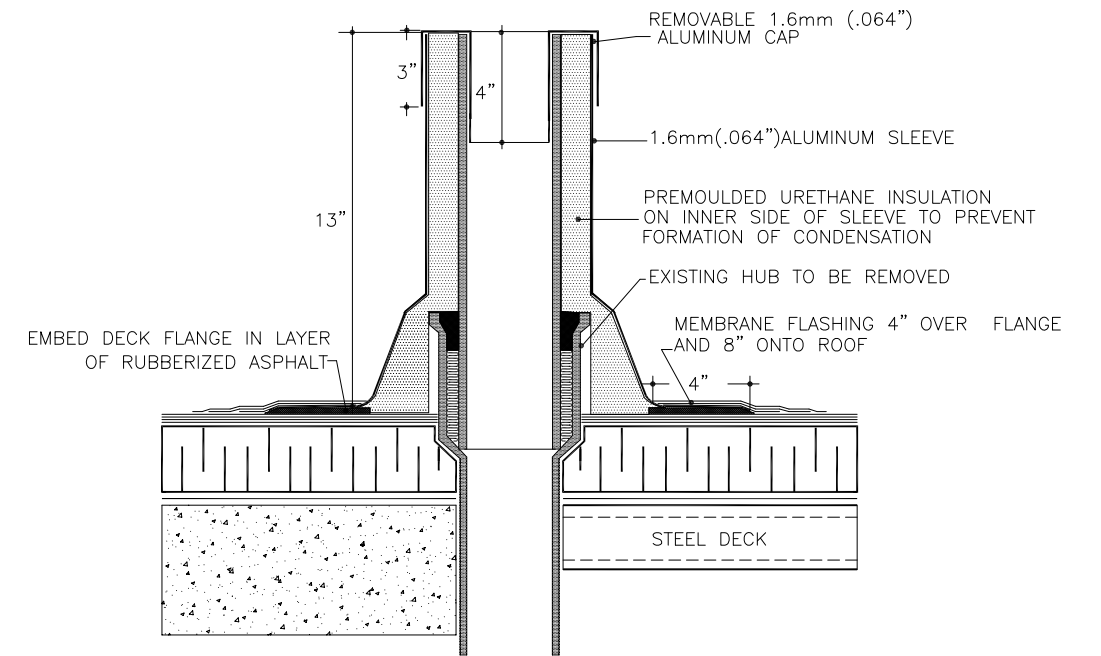


Structural Down Pipes



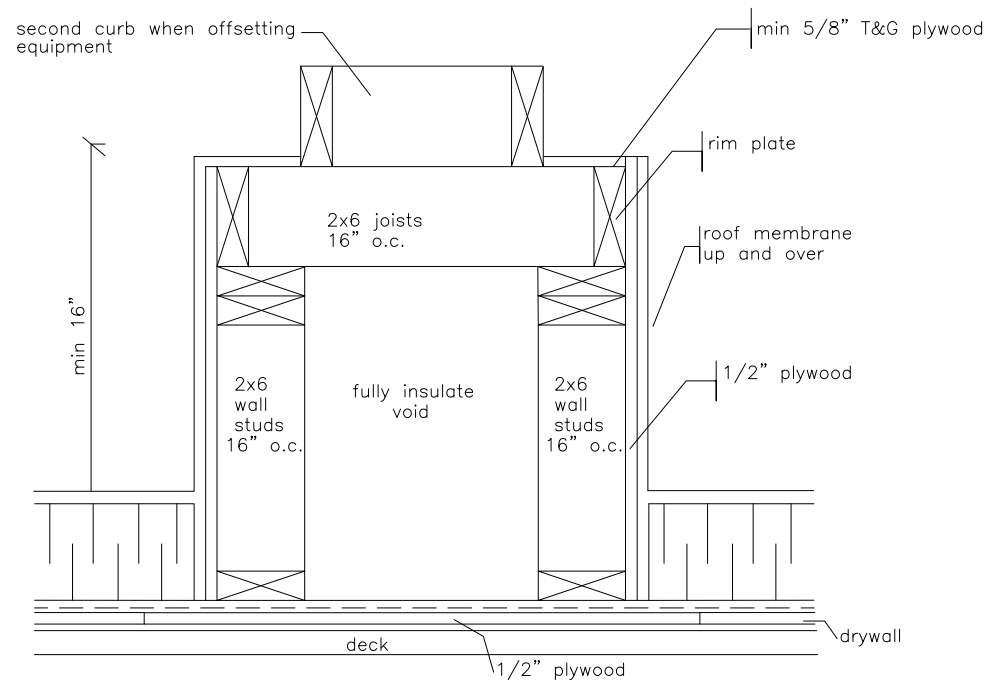
Note: Steel down pipes are to be powder coated. Color to be chosen by the Consultant or Owner.

Plumbing Vent Flashing

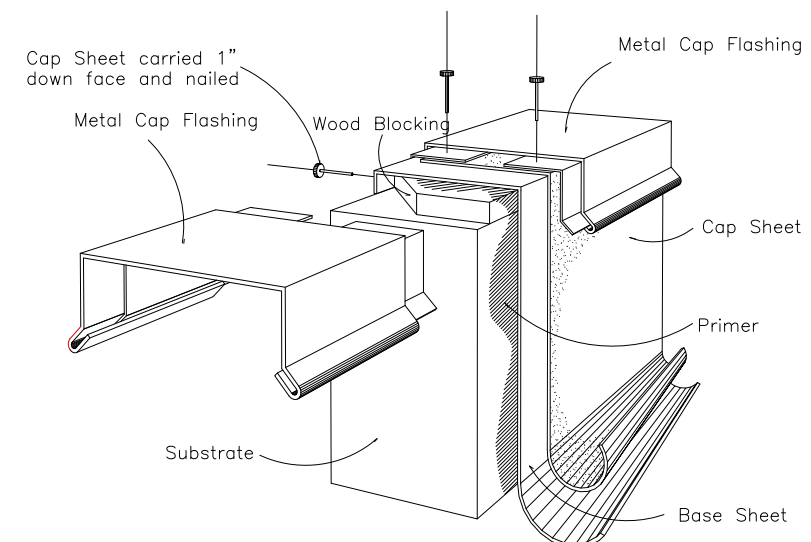


SJ-20 ALUMINUM STACK JACK (13") HIGH

Covered Mechanical Curb



Typical Parapet Cap



AGASSIZ CONSULTING GROUP	
809 Pipeline Road, Winnipeg, Manitoba Phone: 697-8091 Fax: 697-8039	
Project: Gateway Arena 1717 Gateway Road Winnipeg, MB	
Date: July 18, 2011	
Drawing No.	D-1
File no: 3213-11B	Scale: N.T.S.