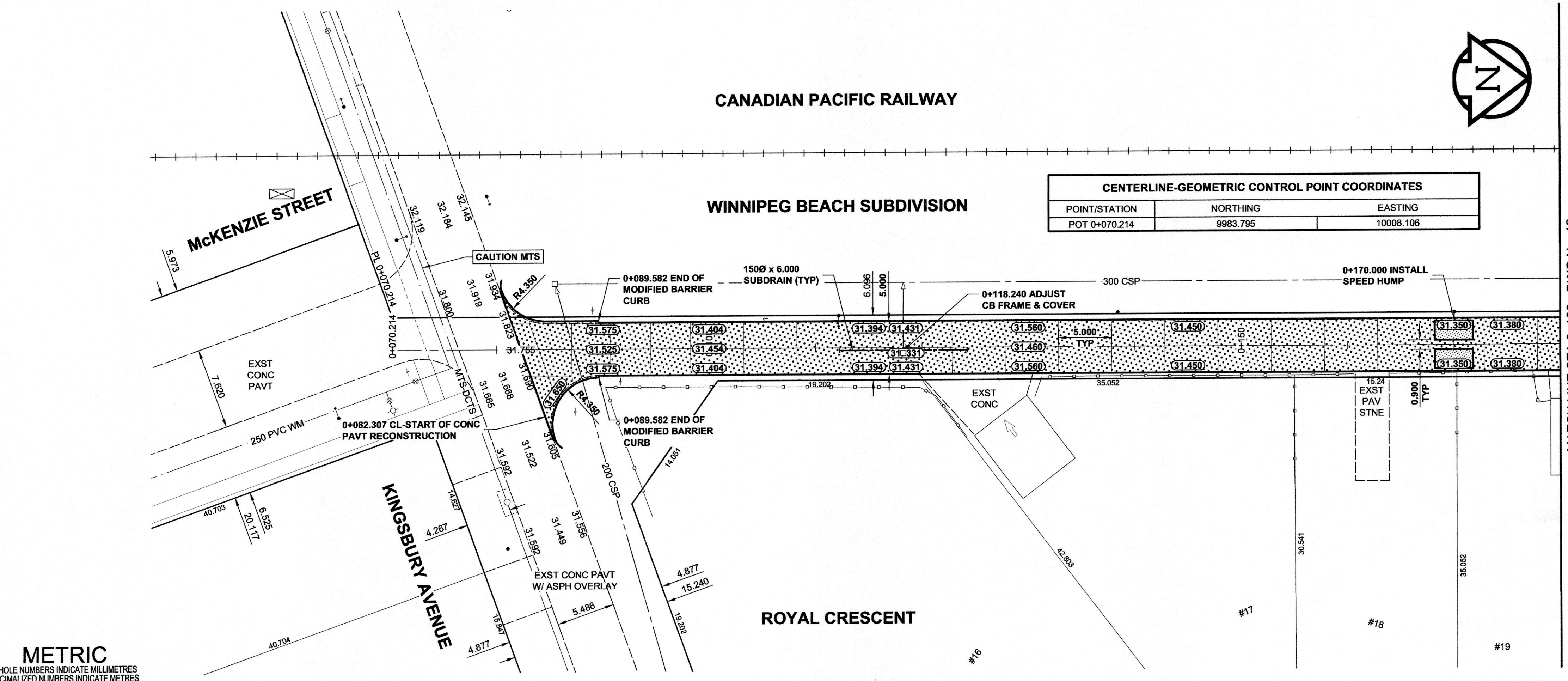
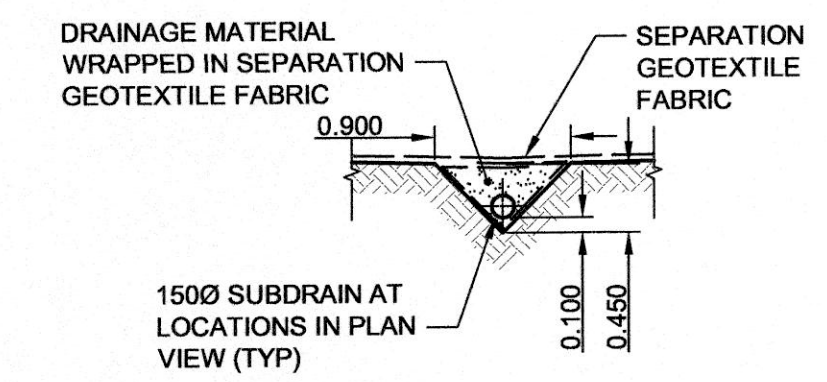
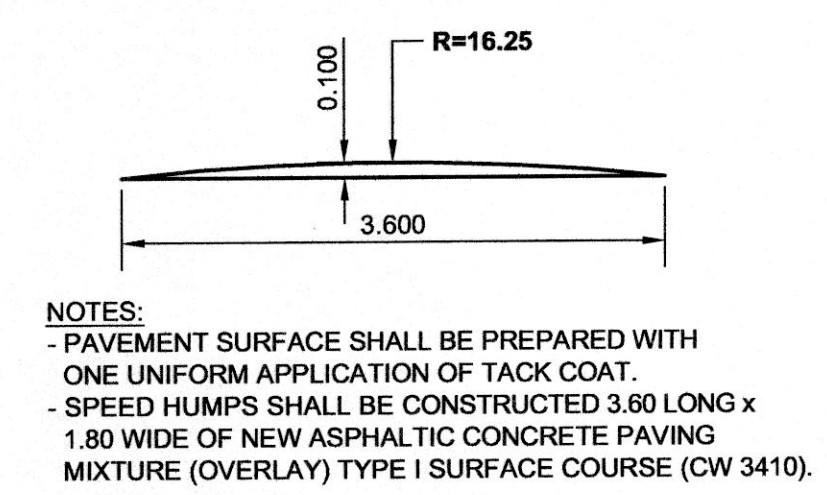
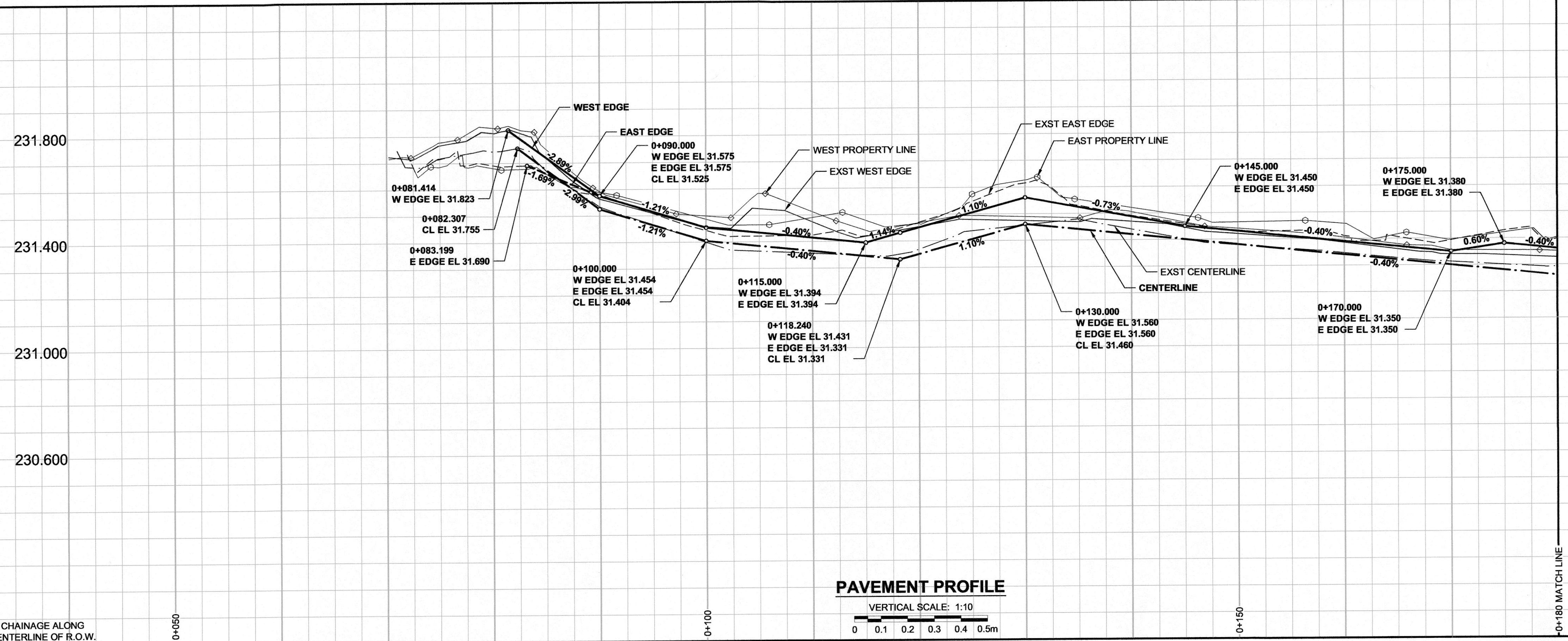


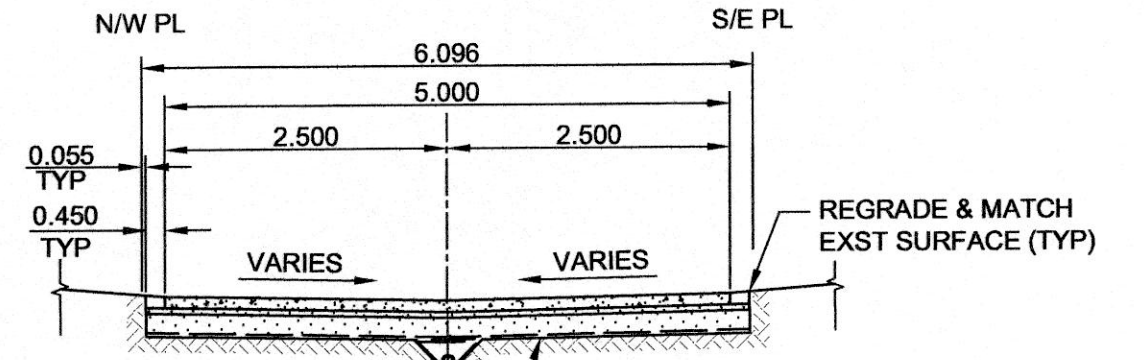
A1 SIZE 594mm x 841mm

PLOT: 4/18/2012 1:49:24 PM

FILE NAME: W11401400-T-011\_R0.dwg Saved By: ddczspzd



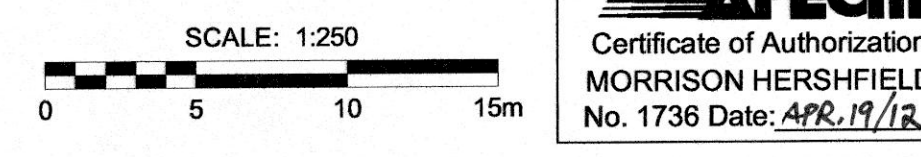
CENTERLINE-GEOMETRIC CONTROL POINT COORDINATES		
POINT/STATION	NORTHING	EASTING
POT 0+070.214	9983.795	10008.106



NOTE: CONTRACTOR TO NOTE VARYING CROSSFALL AND USE APPROPRIATE PAVING METHODS TO ACHIEVE THIS.

**PAVEMENT SECTION**  
CONCRETE PAVEMENT STRUCTURE  
TYPICAL  
SCALE: N.T.S.

- NOTES**
- ADJUST MH AND CB RIMS TO NEW GRADES.
  - LAMP STANDARDS, HYDRO POLES, AND ANCHORS THAT REQUIRE TEMPORARY SUPPORT, REMOVAL OR REPLACEMENT TO BE DONE SO AT THE EXPENSE OF THE CONTRACTOR.
  - CONTRACTOR TO REGRADE/RENEW EXIST PRIVATE SIDEWALKS TO LIMITS AS SHOWN. SIDEWALKS TO BE RENEWED WITH CONCRETE UNLESS NOTED OTHERWISE.
  - CONTRACTOR SHALL TAKE PRECAUTIONARY STEPS TO PROTECT EXISTING TREES WITHIN THE LIMITS OF CONSTRUCTION FROM DAMAGE FROM CONSTRUCTION ACTIVITIES AS OUTLINED IN THE SPECIFICATIONS.
  - MODIFIED BARRIER CURB TO BE USED AT ALL INTERSECTION RADII, BACK LANE RADII AND BULLNOSES.
  - CONTRACTOR SHALL CONFIRM THE LOCATION OF ALL UTILITIES/SERVICES IN THE FIELD PRIOR TO CONSTRUCTION.
  - ADD 200.000m TO ABBREVIATED ELEVATIONS TO OBTAIN GEODETIC ELEVATIONS.
  - LIMITS AND MATERIALS OF DRIVEWAYS REQUIRING PARTIAL RECONSTRUCTION WILL BE DETERMINED IN THE FIELD BY THE CONTRACT ADMINISTRATOR.



**APEGM**  
Certificate of Authorization  
MORRISON HERSHFELD  
No. 1736 Date: APR 19/12

BID OPPORTUNITY No. 239-2012

**METRIC**  
WHOLE NUMBERS INDICATE MILLIMETRES  
DECIMALIZED NUMBERS INDICATE METRES

EXISTING	LEGEND - PLAN	NEW	EXISTING	LEGEND - PLAN	NEW	EXISTING	LEGEND - PLAN	NEW
○	MANHOLE	●	CONCRETE PAVEMENT	▨	LOCATION APPROVED	BM	GBM No. 13-018	
□	CATCH BASIN / CATCH PIT	■	CONC SIDEWALK / MEDIAN	▩	UNDERGROUND STRUCTURES	ELEV 232.48m		
△	CURB INLET WITH BOX	▲	ASPHALT PAVEMENT	▧				
○	TREE	○	PAVING STONE	▩	DATE			
⊕	TEST HOLE	⊕	GRAVEL	▩	COMMITTEE			
—	PROPERTY LINE	—	RAMP CURB	▩	NOTE:			
—	SURVEY BAR	—	PLANING / REMOVAL	▩	LOCATION OF UNDERGROUND STRUCTURES			
—	FENCE	—		▩	AS SHOWN ARE BASED ON THE BEST			
—	BOC / EDGE OF PAVEMENT	—		▩	INFORMATION AVAILABLE. BUT NO			
—	ELEVATION (33.100)	—		▩	GUARANTEE IS GIVEN THAT ALL EXISTING			
—	TRAFFIC SIGN	—		▩	UTILITIES ARE SHOWN OR THAT THE GIVEN			
—	DITCH	—		▩	LOCATIONS ARE EXACT. CONFIRMATION OF			
—		—		▩	EXISTENCE AND EXACT LOCATION OF ALL			
—		—		▩	SERVICES MUST BE OBTAINED FROM THE			
—		—		▩	INDIVIDUAL UTILITIES BEFORE PROCEEDING			
—		—		▩	WITH CONSTRUCTION.			

DESIGNED BY	CHECKED BY	DATE
JGK	RPB	12/04/17
DID/DML	BWB	YYMMDD

ISSUED FOR CONSTRUCTION	DATE	BY
0	12/04/17	JGK
No.	REVISIONS	YYMMDD

PROFESSIONAL'S SEAL  
PROVINCE OF MANITOBA  
J.G. KENNEDY  
Member  
22326  
APR 19/12  
REGISTERED PROFESSIONAL ENGINEER

**THE CITY OF WINNIPEG**  
PUBLIC WORKS DEPARTMENT  
ENGINEERING DIVISION

**2012 REGIONAL & LOCAL STREET ALLEY PACKAGE**  
**McGREGOR STREET WEST ALLEY**  
BETWEEN KINGSBURY AVENUE & McGREGOR STREET  
HORIZONTAL AND VERTICAL ALIGNMENT  
STA 0+082 TO STA 0+180

CITY DRAWING NUMBER N/A  
SHEET 11 OF 17  
DRAWING No. 11  
REV 0