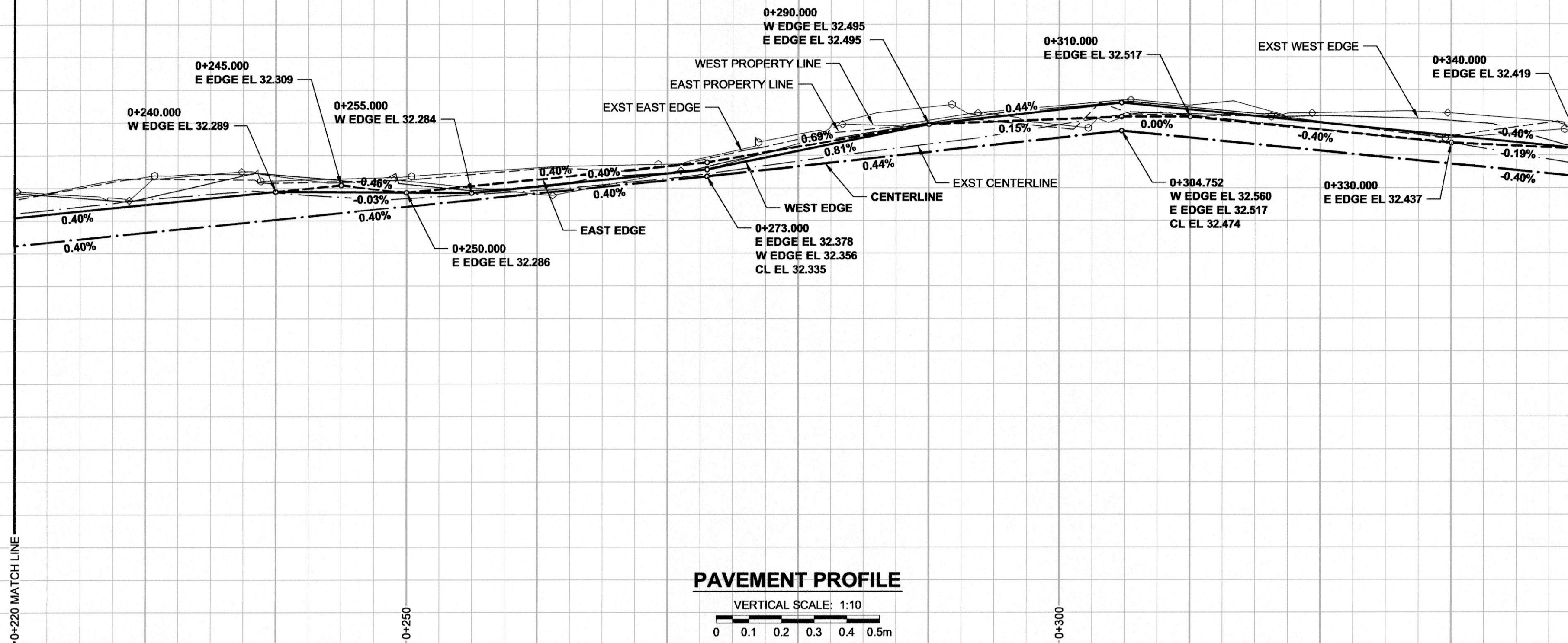


A1 SIZE 594mm x 841mm
PLOT: 4/18/2012 1:49:04 PM
FILE NAME: W11401400-T-009_R0.dwg Saved By: ddoszpoc

232.800
232.400
232.000
231.600

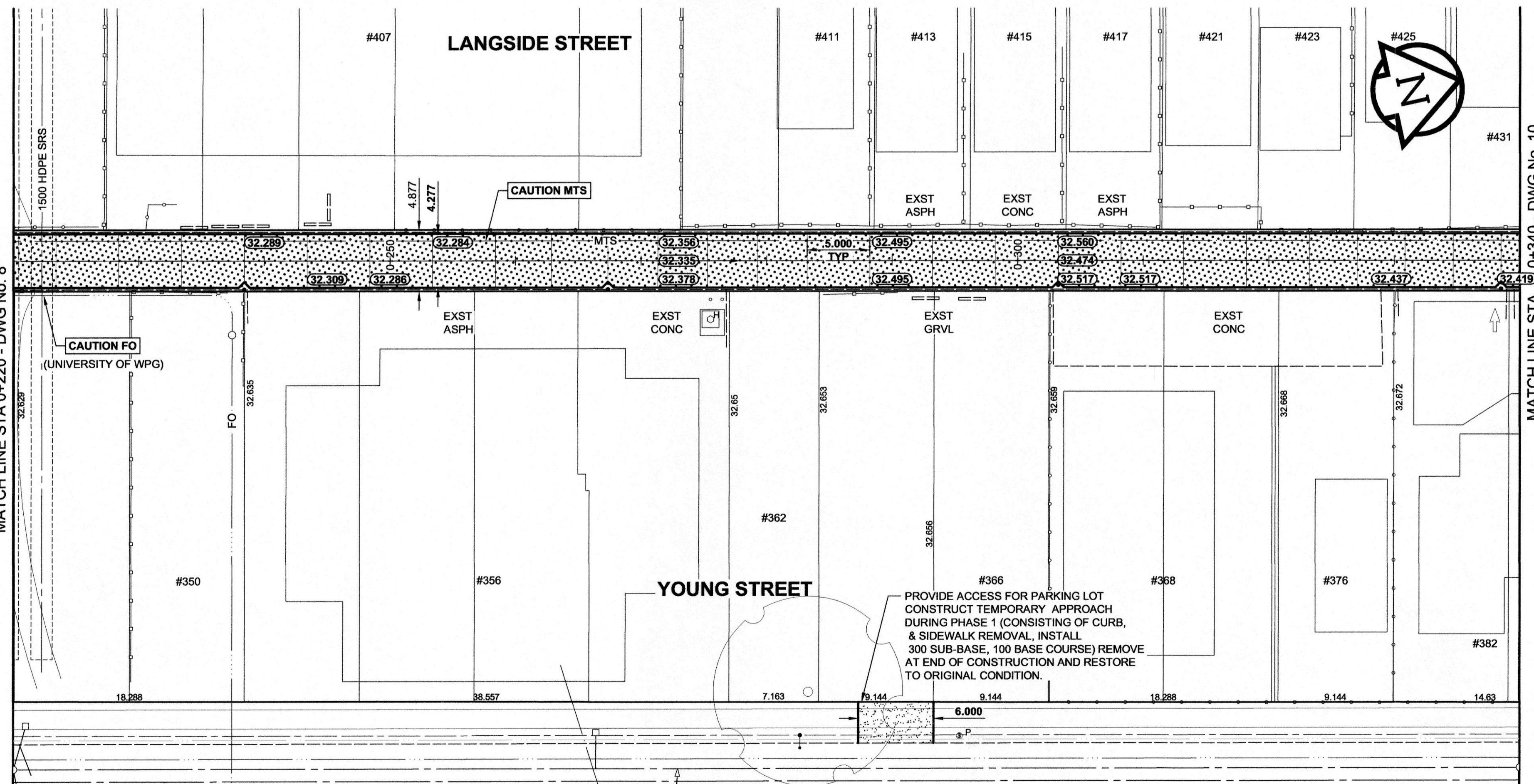
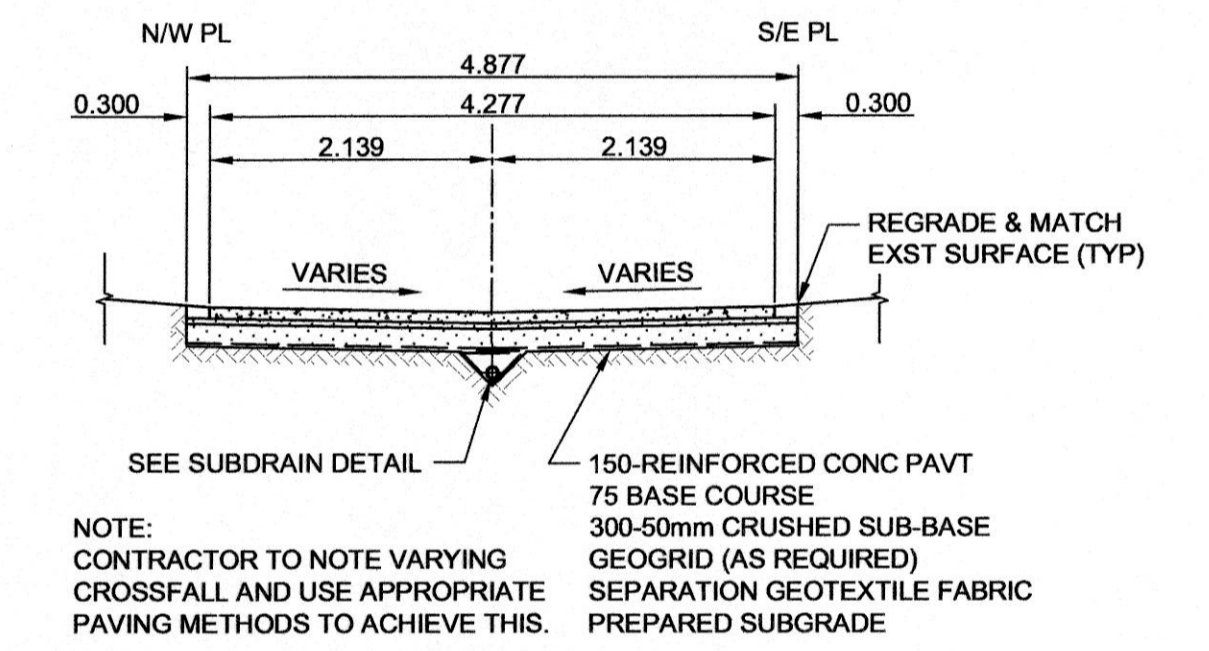
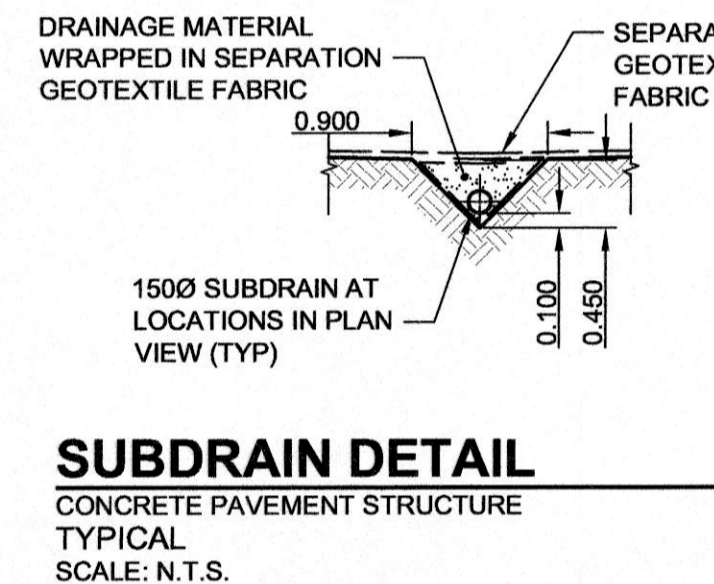
232.800
232.400
232.000
231.600



PAVEMENT PROFILE

VERTICAL SCALE: 1:10
0 0.1 0.2 0.3 0.4 0.5m

CHAINAGE ALONG CENTERLINE OF R.O.W.



- NOTES**
- ADJUST MH AND CB RIMS TO NEW GRADES.
 - LAMP STANDARDS, HYDRO POLES, AND ANCHORS THAT REQUIRE TEMPORARY SUPPORT, REMOVAL OR REPLACEMENT TO BE DONE SO AT THE EXPENSE OF THE CONTRACTOR.
 - CONTRACTOR TO REGRADE/RENEW EXST PRIVATE SIDEWALKS TO LIMITS AS SHOWN. SIDEWALKS TO BE RENEWED WITH CONCRETE UNLESS NOTED OTHERWISE.
 - CONTRACTOR SHALL TAKE PRECAUTIONARY STEPS TO PROTECT EXISTING TREES WITHIN THE LIMITS OF CONSTRUCTION FROM DAMAGE FROM CONSTRUCTION ACTIVITIES AS OUTLINED IN THE SPECIFICATIONS.
 - MODIFIED BARRIER CURB TO BE USED AT ALL INTERSECTION RADI, BACK LANE RADI AND BULLNOSES.
 - CONTRACTOR SHALL CONFIRM THE LOCATION OF ALL UTILITIES/SERVICES IN THE FIELD PRIOR TO CONSTRUCTION.
 - ADD 200.000m TO ABBREVIATED ELEVATIONS TO OBTAIN GEODETIC ELEVATIONS.
 - LIMITS AND MATERIALS OF DRIVEWAYS REQUIRING PARTIAL RECONSTRUCTION WILL BE DETERMINED IN THE FIELD BY THE CONTRACT ADMINISTRATOR.

METRIC
WHOLE NUMBERS INDICATE MILLIMETRES
DECIMALIZED NUMBERS INDICATE METRES

	GAS		MANHOLE		CONCRETE PAVEMENT
	MTS		CATCH BASIN / CATCH PIT		CONC SIDEWALK / MEDIAN
	HYDRO		CURB INLET WITH BOX		ASPHALT PAVEMENT
	CATV / FIBRE OPTIC		TREE		PAVING STONE
	LAND DRAINAGE SEWER		TEST HOLE		GRAVEL
	SANITARY/COMBINED SEWER		PROPERTY LINE		RAMP
	SSP/DCP		SURVEY BAR		PLANING / REMOVAL
	WATERMAIN		FENCE		
	SUBDRAIN		BOC / EDGE OF PAVEMENT		
	DITCH		ELEVATION		
	EXISTING		TRAFFIC SIGN		
	LEGEND - PLAN				
	NEW				

LOCATION APPROVED
UNDERGROUND STRUCTURES

BM GBM No. 37-029
ELEV 232.536m

DESIGNED BY GFC
CHECKED BY RPB
DRAWN BY DID/DML
APPROVED BY BWB
HOR. SCALE 1:250
VERT. SCALE AS SHOWN
DATE 12/04/19

ISSUED FOR CONSTRUCTION 12/04/19 GFC
REVISIONS YVMMDD BY DATE

MORRISON HERSHFELD

PROFESSIONAL'S SEAL
PROVINCE OF MANITOBA
G.F. COOLIDGE
Member 24465
April 19/12
REGISTERED PROFESSIONAL ENGINEER

CONSULTANT DRAWING No. W11401400-T-009_R0.dwg

THE CITY OF WINNIPEG
PUBLIC WORKS DEPARTMENT
ENGINEERING DIVISION

2012 REGIONAL & LOCAL STREET ALLEY PACKAGE
LANGSIDE STREET-YOUNG STREET ALLEY
BETWEEN PORTAGE AVENUE & ELLICE AVENUE
HORIZONTAL AND VERTICAL ALIGNMENT
STA 0+220 TO STA 0+340

CITY DRAWING NUMBER N/A
SHEET 9 OF 17
DRAWING No. 9
REV 0

BID OPPORTUNITY No. 239-2012