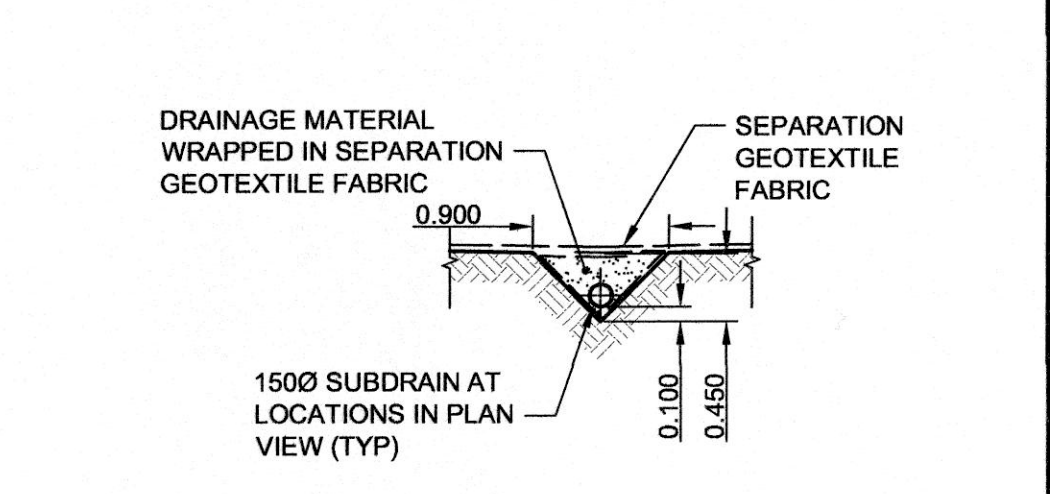
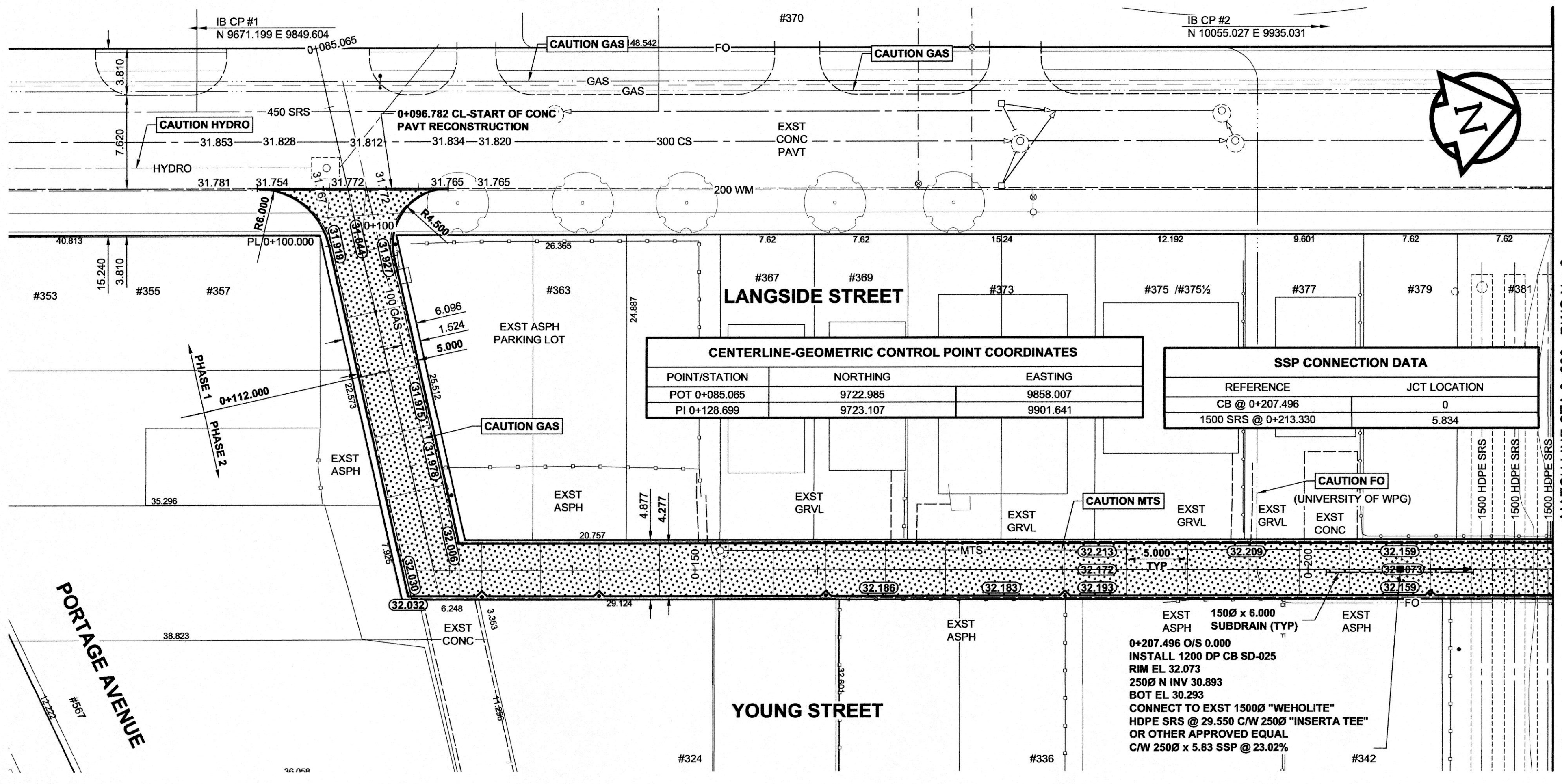
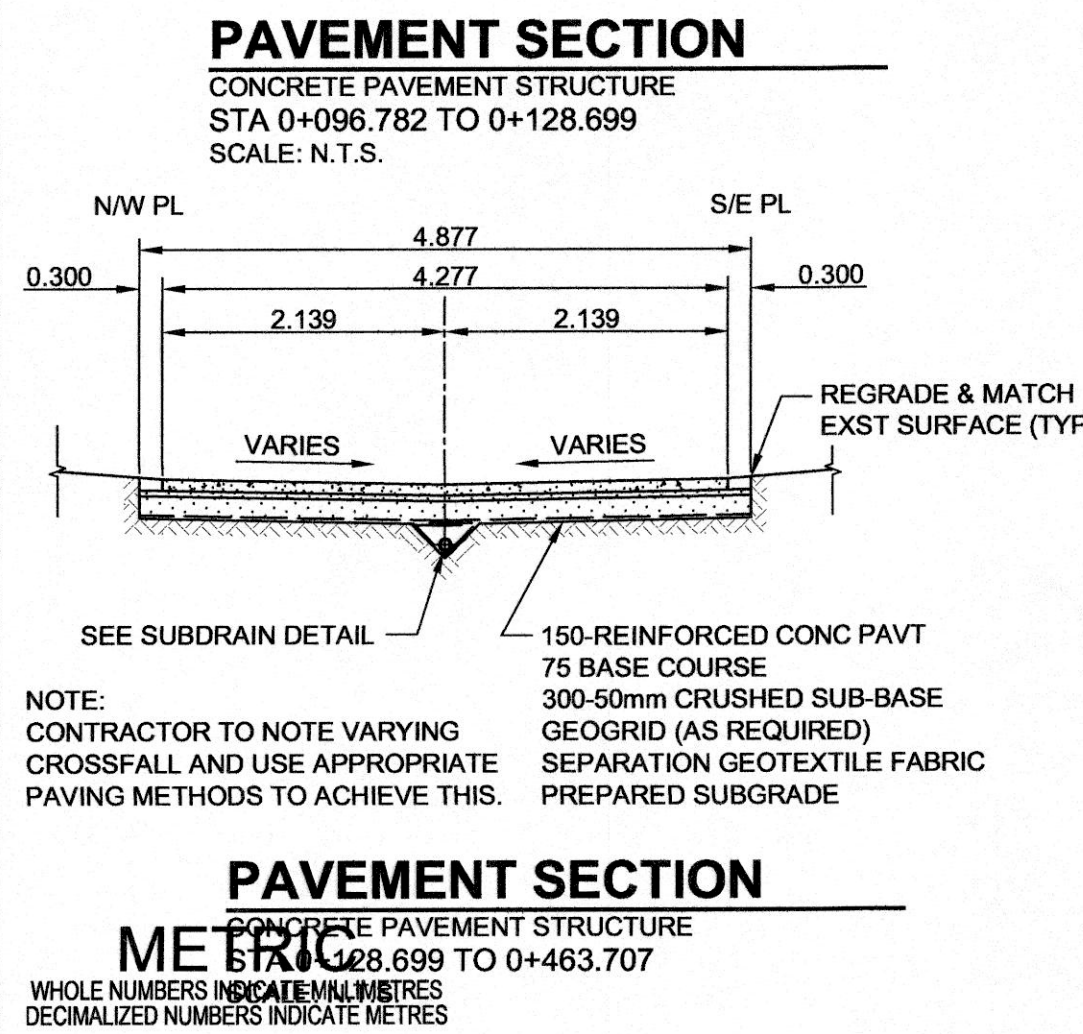
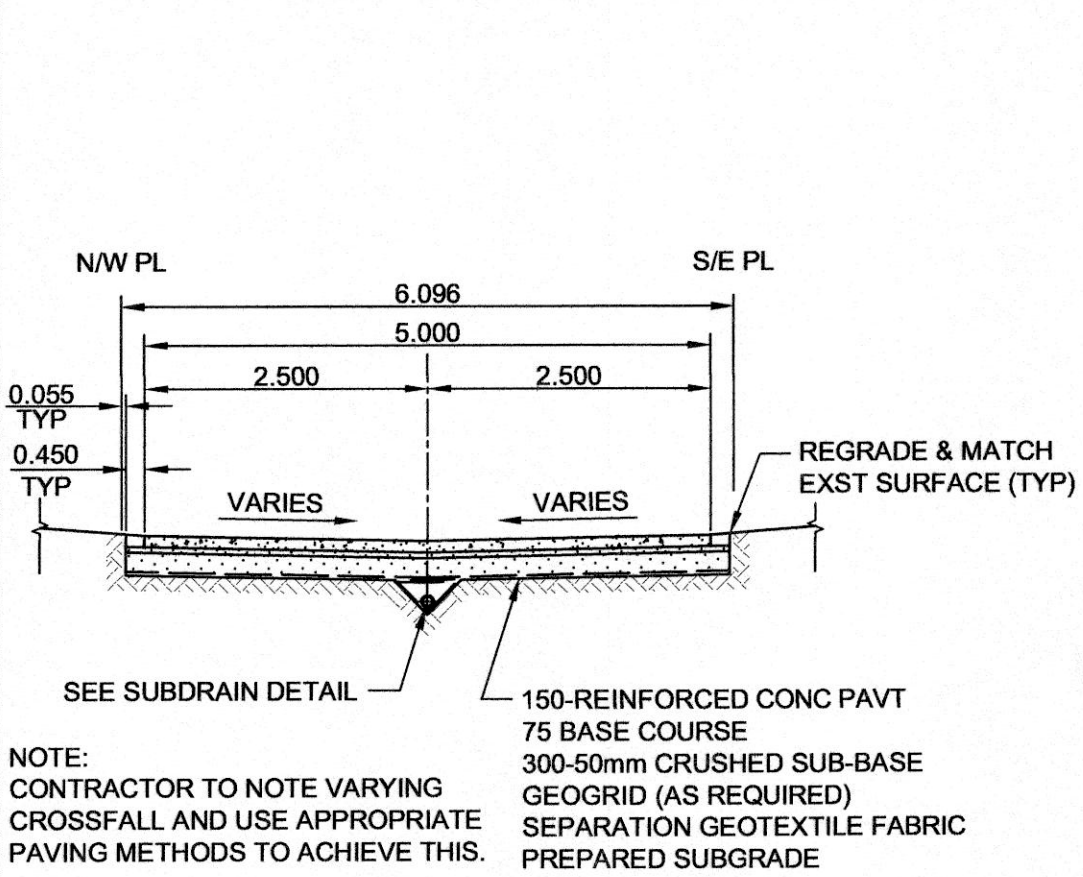
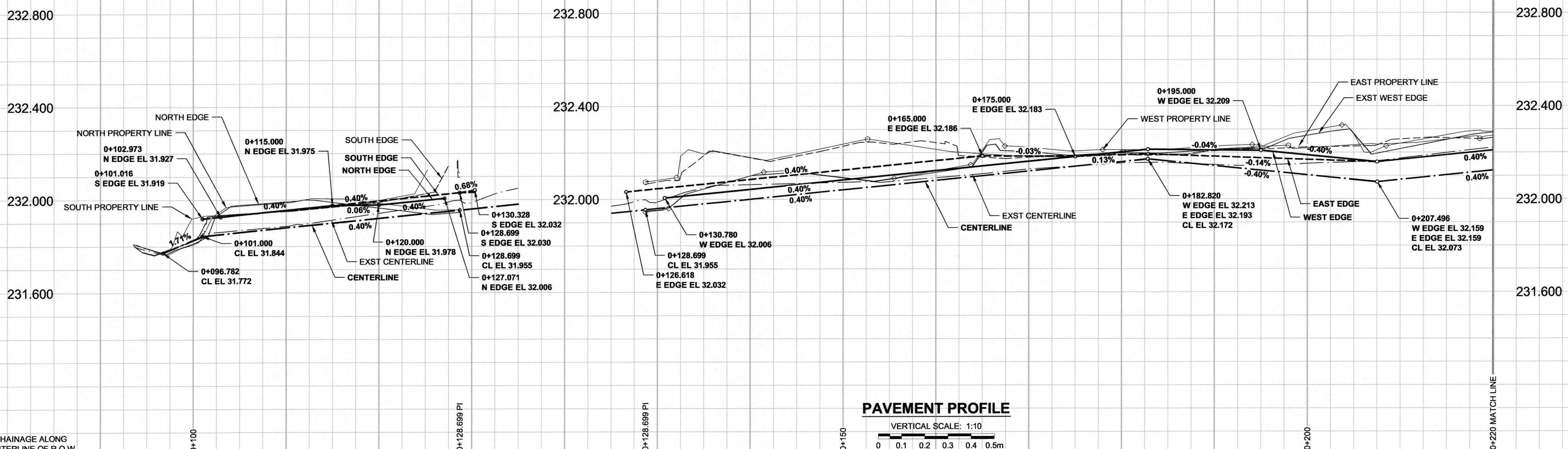


A1 SIZE 594mm x 841mm  
PLOT: 4/18/2012 1:48:54 PM  
FILE NAME: W11401400-T-008\_R0.dwg Saved By: ddszppod



- NOTES**
- ADJUST MH AND CB RIMS TO NEW GRADES.
  - LAMP STANDARDS, HYDRO POLES, AND ANCHORS THAT REQUIRE TEMPORARY SUPPORT, REMOVAL OR REPLACEMENT TO BE DONE SO AT THE EXPENSE OF THE CONTRACTOR.
  - CONTRACTOR TO REGRADE/RENEW EXIST PRIVATE SIDEWALKS TO LIMITS AS SHOWN. SIDEWALKS TO BE RENEWED WITH CONCRETE UNLESS NOTED OTHERWISE.
  - CONTRACTOR SHALL TAKE PRECAUTIONARY STEPS TO PROTECT EXISTING TREES WITHIN THE LIMITS OF CONSTRUCTION FROM DAMAGE FROM CONSTRUCTION ACTIVITIES AS OUTLINED IN THE SPECIFICATIONS.
  - MODIFIED BARRIER CURB TO BE USED AT ALL INTERSECTION RADII, BACK LANE RADII AND BULLNOSES.
  - CONTRACTOR SHALL CONFIRM THE LOCATION OF ALL UTILITIES/SERVICES IN THE FIELD PRIOR TO CONSTRUCTION.
  - ADD 200.000m TO ABBREVIATED ELEVATIONS TO OBTAIN GEODETIC ELEVATIONS.
  - LIMITS AND MATERIALS OF DRIVEWAYS REQUIRING PARTIAL RECONSTRUCTION WILL BE DETERMINED IN THE FIELD BY THE CONTRACT ADMINISTRATOR.

EXISTING	LEGEND - PLAN	NEW	EXISTING	LEGEND - PLAN	NEW	EXISTING	LEGEND - PLAN	NEW	
	GAS		MANHOLE		CONCRETE PAVEMENT		LOCATION APPROVED		BM
	MTS		CATCH BASIN / CATCH PIT		CONC SIDEWALK / MEDIAN		SUPR. LIG STRUCTURES		ELEV
	HYDRO		CURB INLET WITH BOX		ASPHALT PAVEMENT		DATE		GFC
	CATV / FIBRE OPTIC		TREE		PAVING STONE		COMMITTEE		NOTE:
	TRAFFIC SIGNALS / PIT		TEST HOLE		GRAVEL		LOCATION OF UNDERGROUND STRUCTURES AS SHOWN ARE BASED ON THE BEST INFORMATION AVAILABLE. BUT NO GUARANTEE IS GIVEN THAT ALL EXISTING UTILITIES ARE SHOWN OR THAT THE GIVEN LOCATIONS ARE EXACT. CONFIRMATION OF EXISTENCE AND EXACT LOCATION OF ALL SERVICES MUST BE OBTAINED FROM THE INDIVIDUAL UTILITIES BEFORE PROCEEDING WITH CONSTRUCTION.		REVISIONS
	LAND DRAINAGE SEWER		PROPERTY LINE		RAMP CURB		DATE		DATE
	SANITARY/COMBINED SEWER		SURVEY BAR		PLANING / REMOVAL		DATE		DATE
	SSP/DCP		FENCE						
	WATERMAIN		BOC / EDGE OF PAVEMENT						
	SUBDRAIN		ELEVATION						
	DITCH		TRAFFIC SIGN						

DESIGNED BY	GFC	CHECKED BY	RPB
DRAWN BY	DID/DML	APPROVED BY	BWB
HOR. SCALE	1:250	RELEASED FOR CONSTRUCTION	
VERT. SCALE	AS SHOWN	DATE	APRIL 19/12

**MORRISON HERSHFELD**

DESIGNED BY: GFC  
CHECKED BY: RPB  
DRAWN BY: DID/DML  
APPROVED BY: BWB  
HOR. SCALE: 1:250  
VERT. SCALE: AS SHOWN  
DATE: 12/04/19

PROFESSIONAL'S SEAL  
G.F. COOLIDGE  
Member 24465  
April 19/12  
REGISTERED PROFESSIONAL ENGINEER

**THE CITY OF WINNIPEG**  
PUBLIC WORKS DEPARTMENT  
ENGINEERING DIVISION

**2012 REGIONAL & LOCAL STREET ALLEY PACKAGE**  
LANGSIDE STREET-YOUNG STREET ALLEY  
BETWEEN PORTAGE AVENUE & ELLICE AVENUE  
HORIZONTAL AND VERTICAL ALIGNMENT  
STA 0+096 TO STA 0+220

CITY DRAWING NUMBER: N/A  
SHEET 8 OF 17  
DRAWING No. 8  
REV 0

BID OPPORTUNITY No. 239-2012