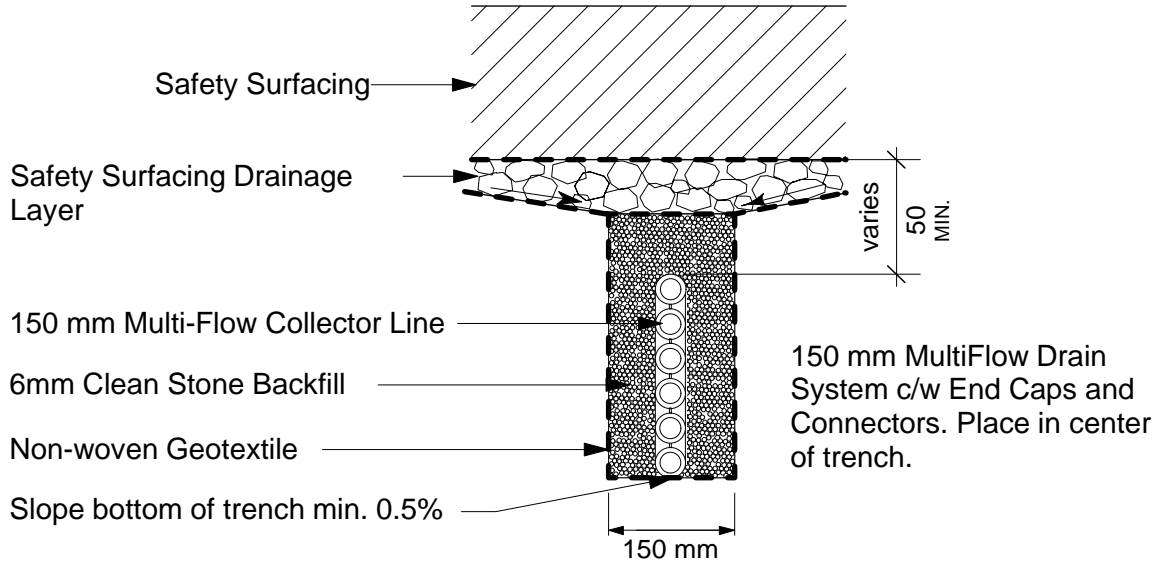


Multi-Flow Drainage

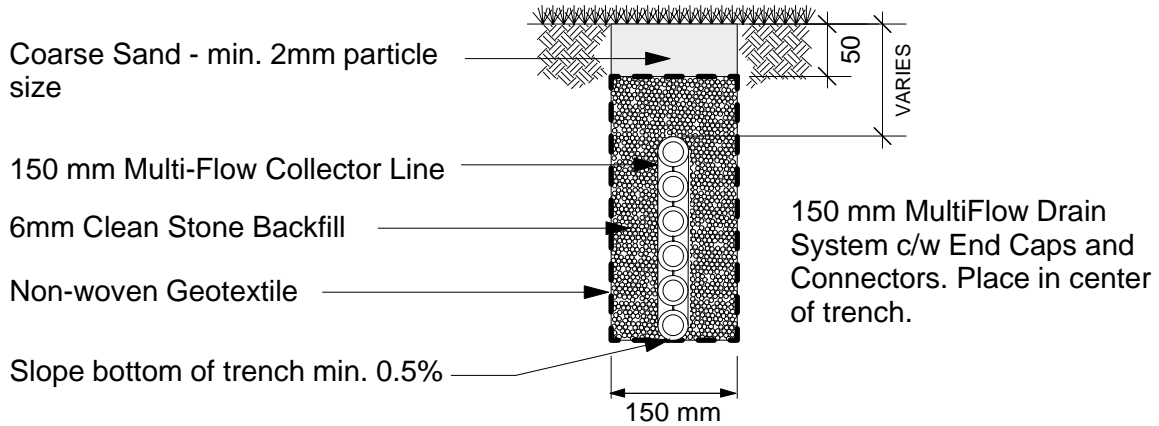
SCD-659

NOTES:

- Multi-flow connection to catch basin shall be as per Standard Specification CW 3120.3.5.



MULTI-FLOW DRAINAGE IN SAFETY SURFACING DETAIL



MULTI-FLOW DRAINAGE IN TURF DETAIL

DIMENSIONS SHOWN ARE IN MILLIMETRES UNLESS OTHERWISE SPECIFIED

REVISION: 1
 DATE: January 12, 2012
 SCALE: NTS
 DRAWN BY: SP

The City of Winnipeg
 Planning, Property and Development Department
 Planning and Land Use Division
 Unit 15 - 30 Fort Street, Winnipeg, MB, R3C 4X5

